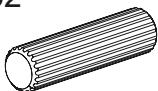


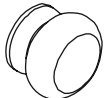
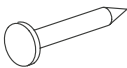
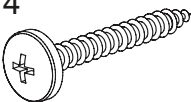

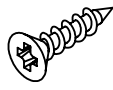
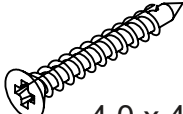

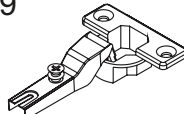
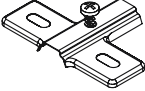
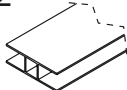
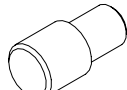
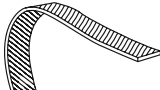

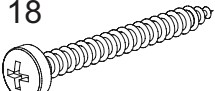
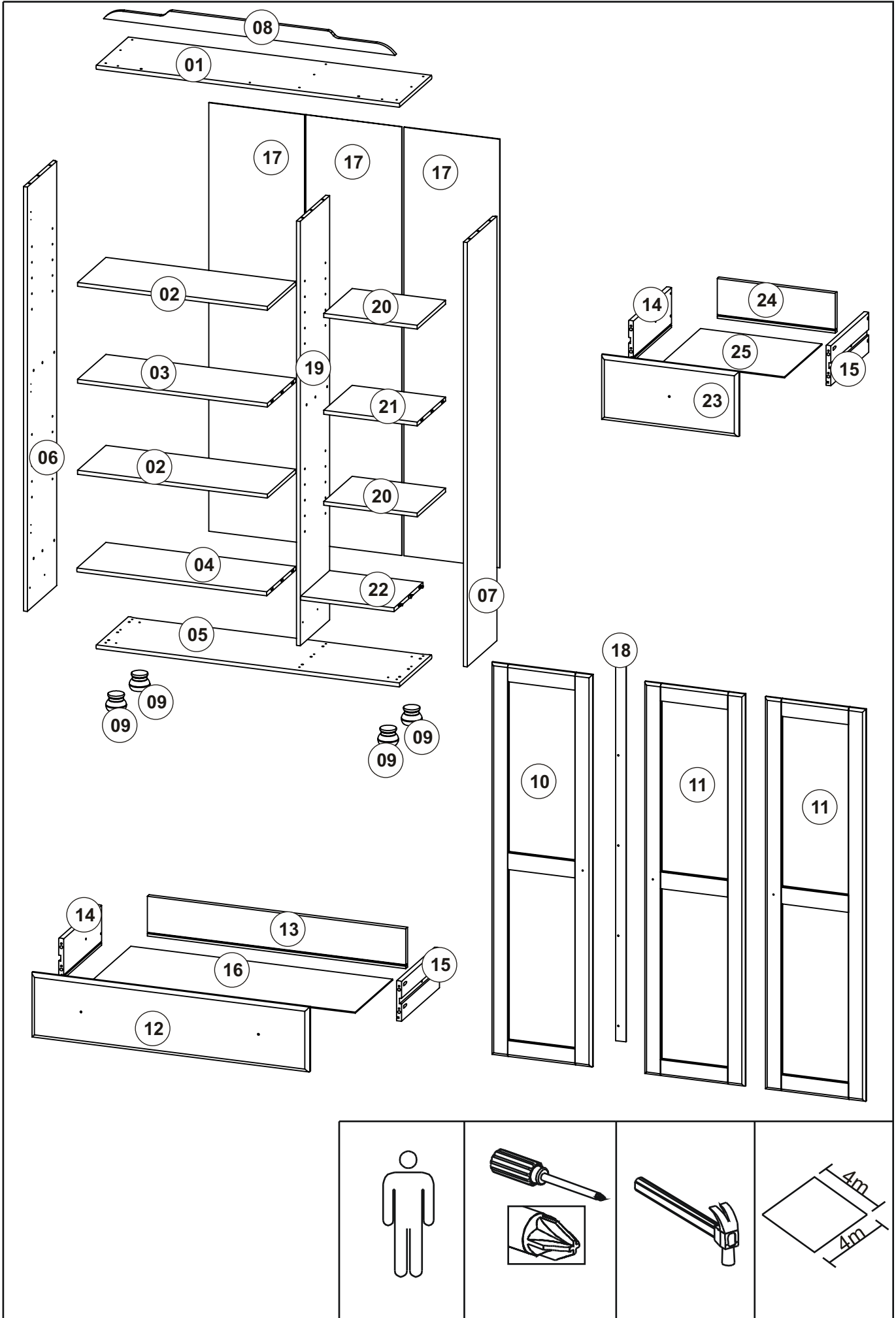
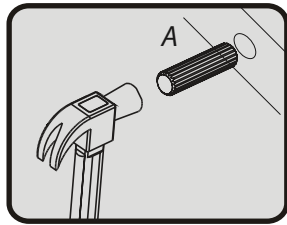
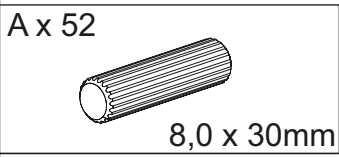
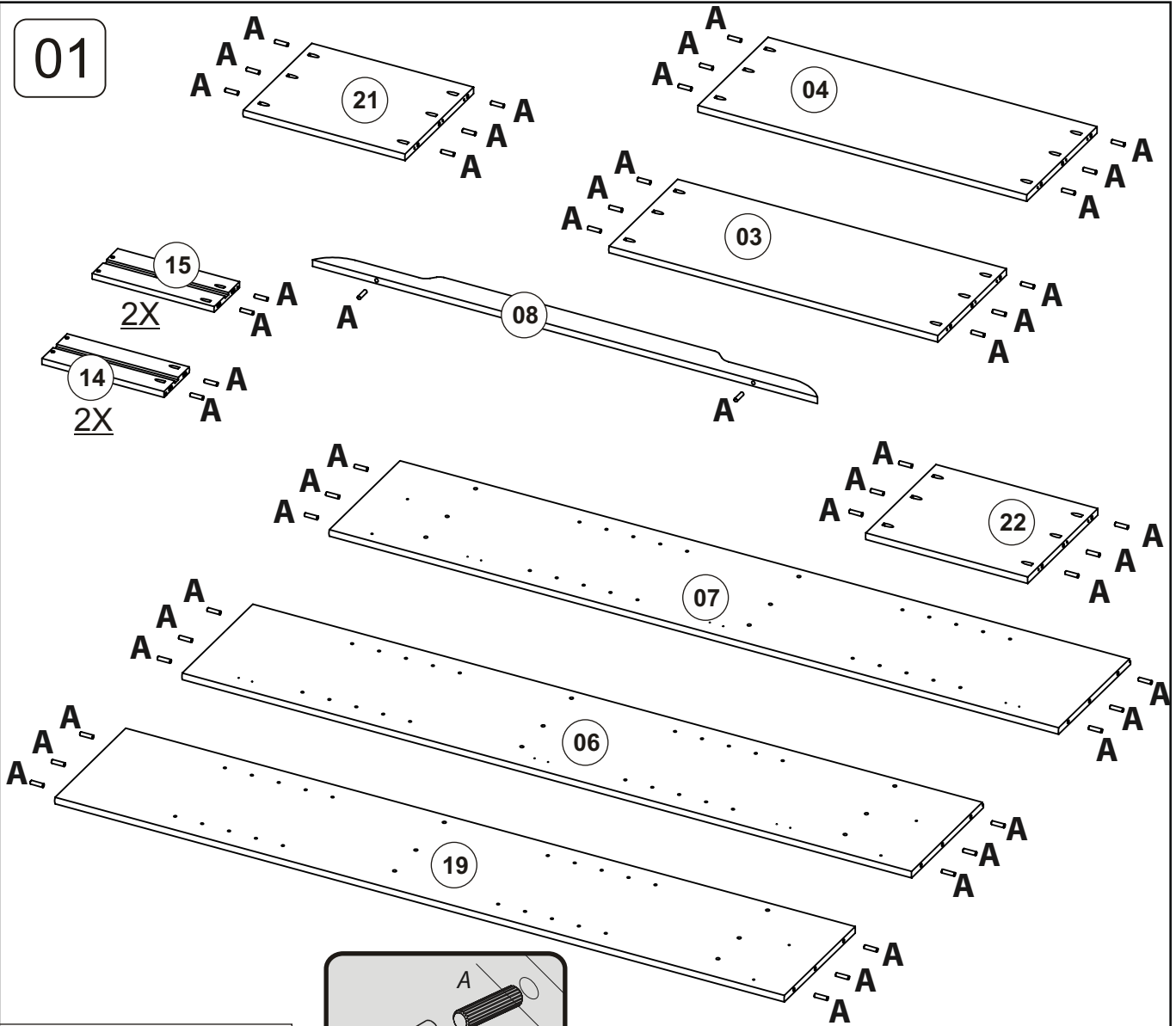


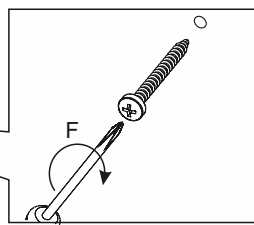
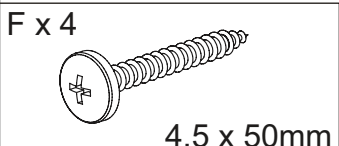
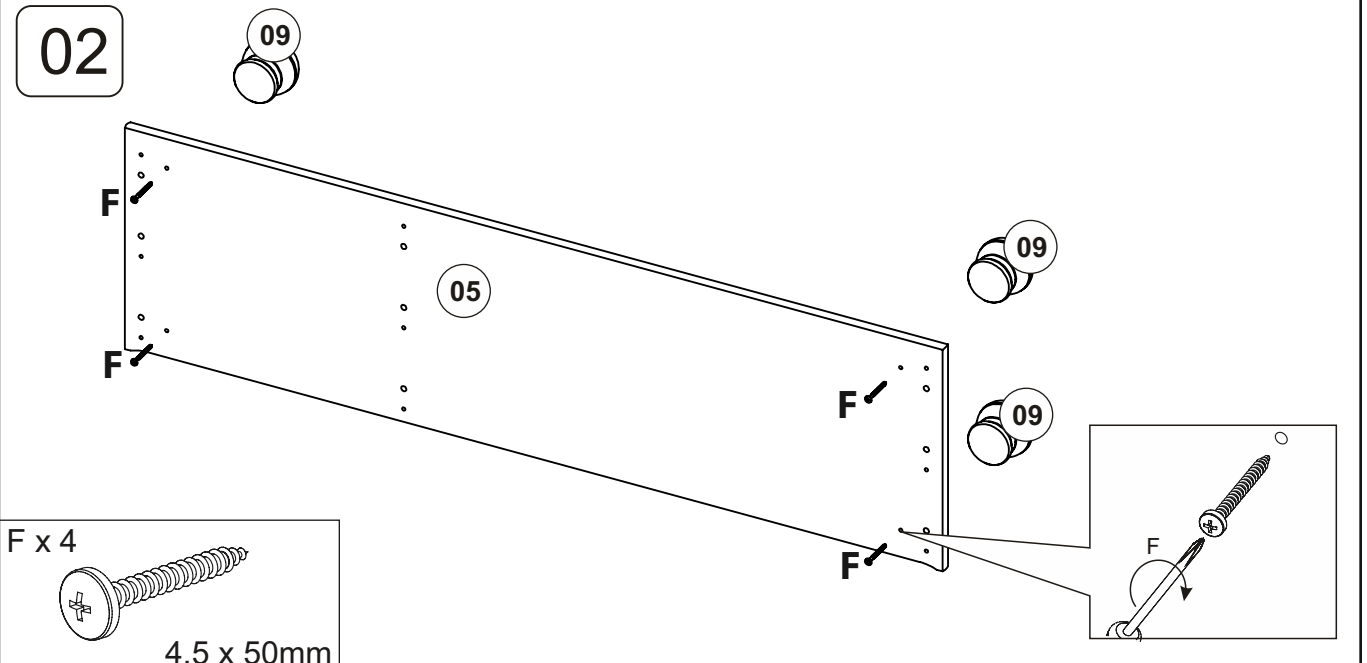
<p>A x 52</p>  <p>8,0 x 30mm</p>	<p>B x 40</p>  <p>4,0 x 30mm</p>	<p>C x 4</p> 	<p>D x 6</p> 
<p>E x 42</p> 	<p>F x 4</p>  <p>4,5 x 50mm</p>	<p>G x 4</p>  <p>M4 x 12mm</p>	<p>H x 42</p>  <p>3,5 x 14mm</p>
<p>I x 9</p>  <p>4,0 x 40mm</p>	<p>J x 8</p>  <p>6,0 x 10mm</p>	<p>K x 9</p> 	<p>L x 9</p> 
<p>M x 2</p> 	<p>N x 16</p> 	<p>O x 1</p> 	<p>P x 2</p> 
<p>Q x 18</p>  <p>4,0 x 45mm</p>			



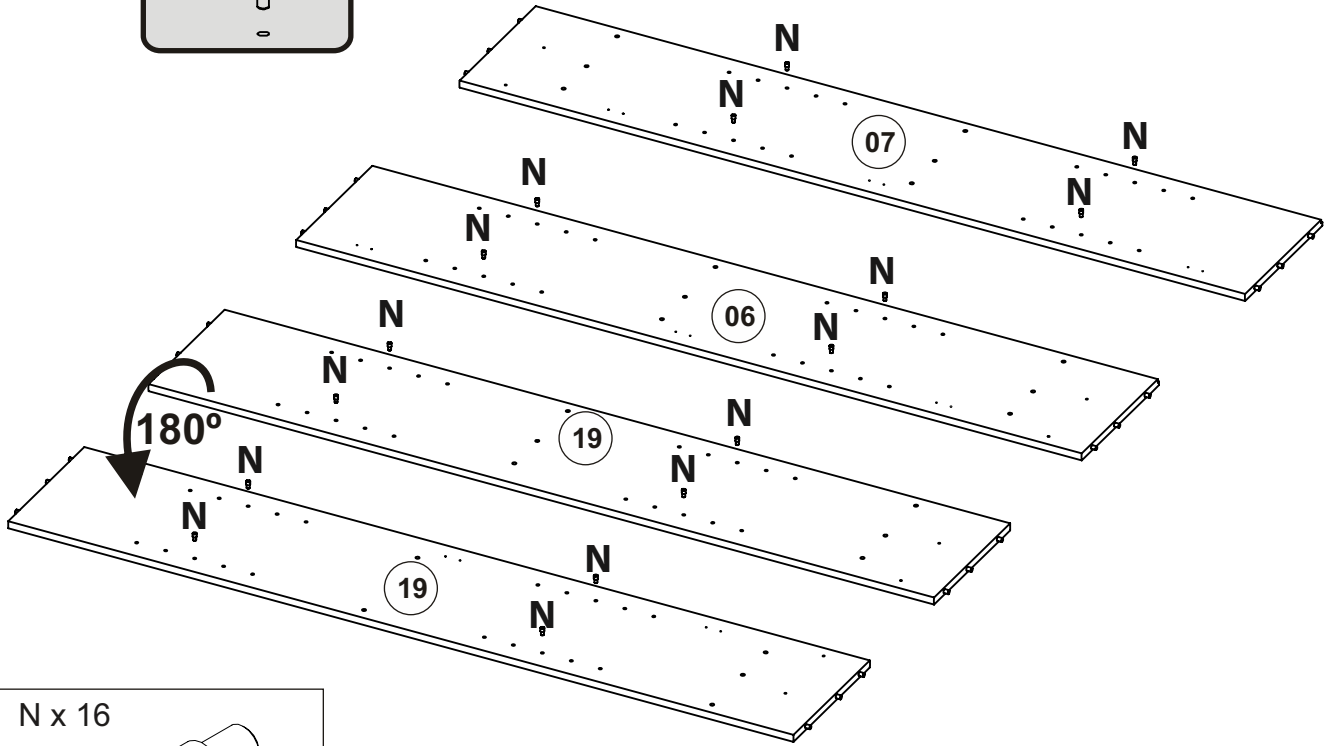
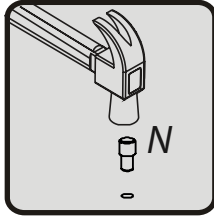
01



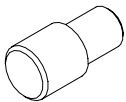
02



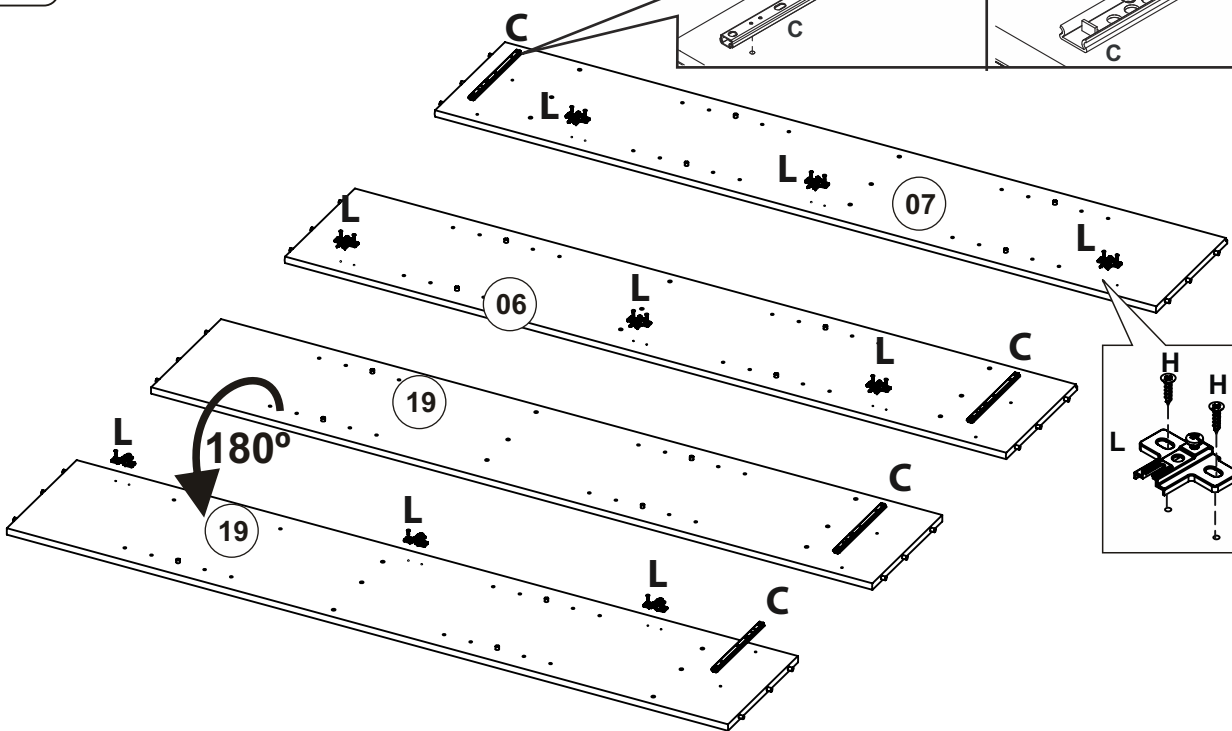
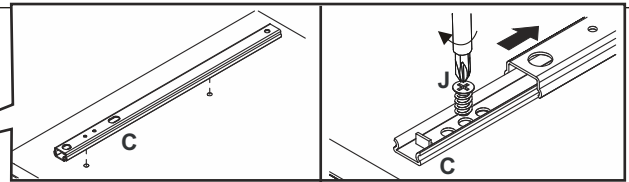
03



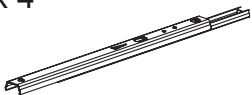
N x 16



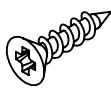
04



C x 4



H x 18



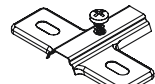
3,5 x 14mm

J x 8

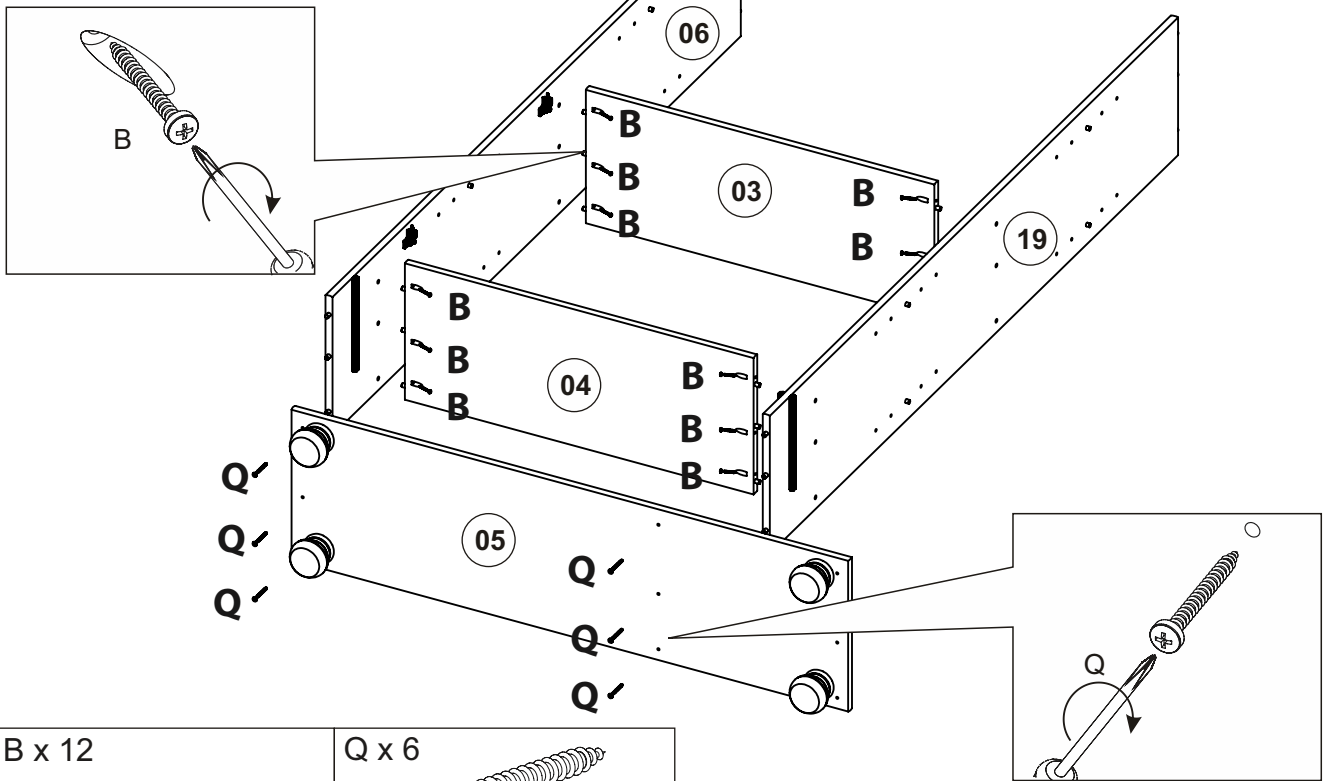


6,0 x 10mm

L x 9



05

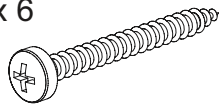


B x 12



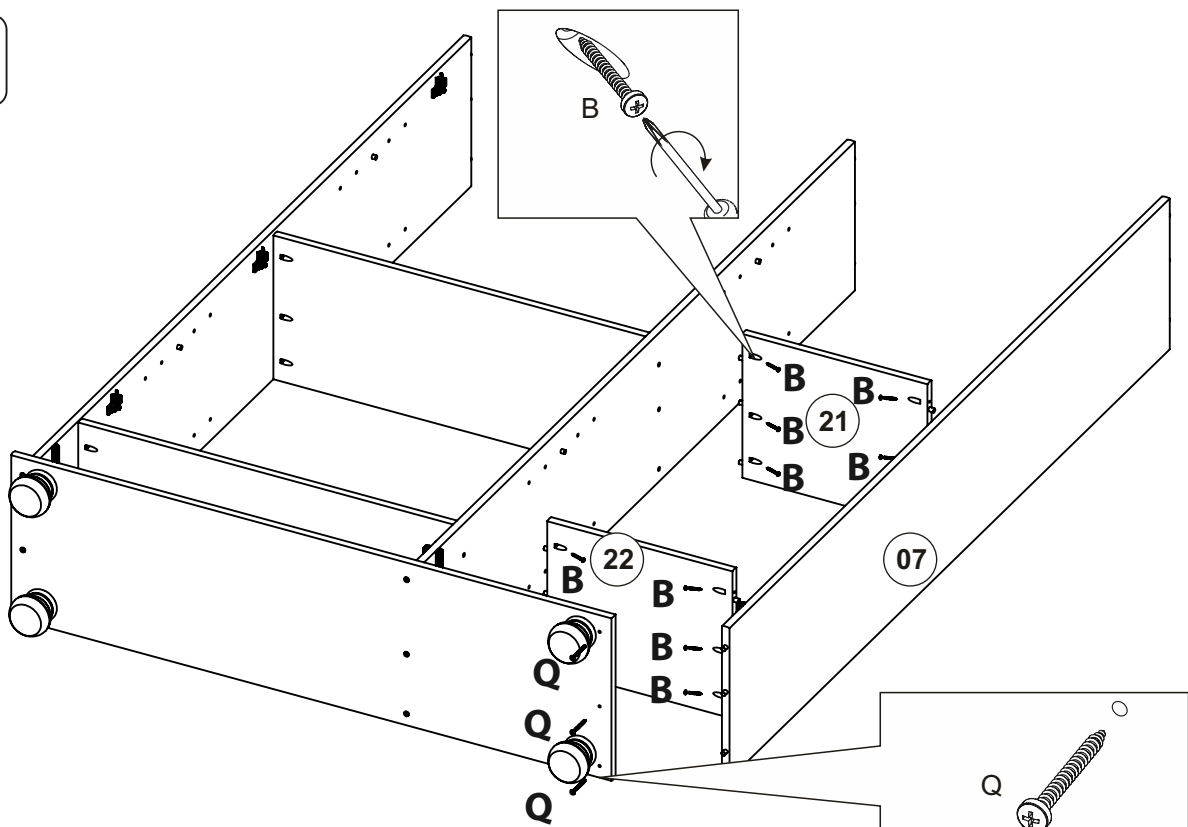
4,0 x 30mm

Q x 6



4,0 x 45mm

06

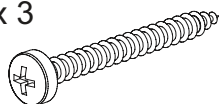


B x 12



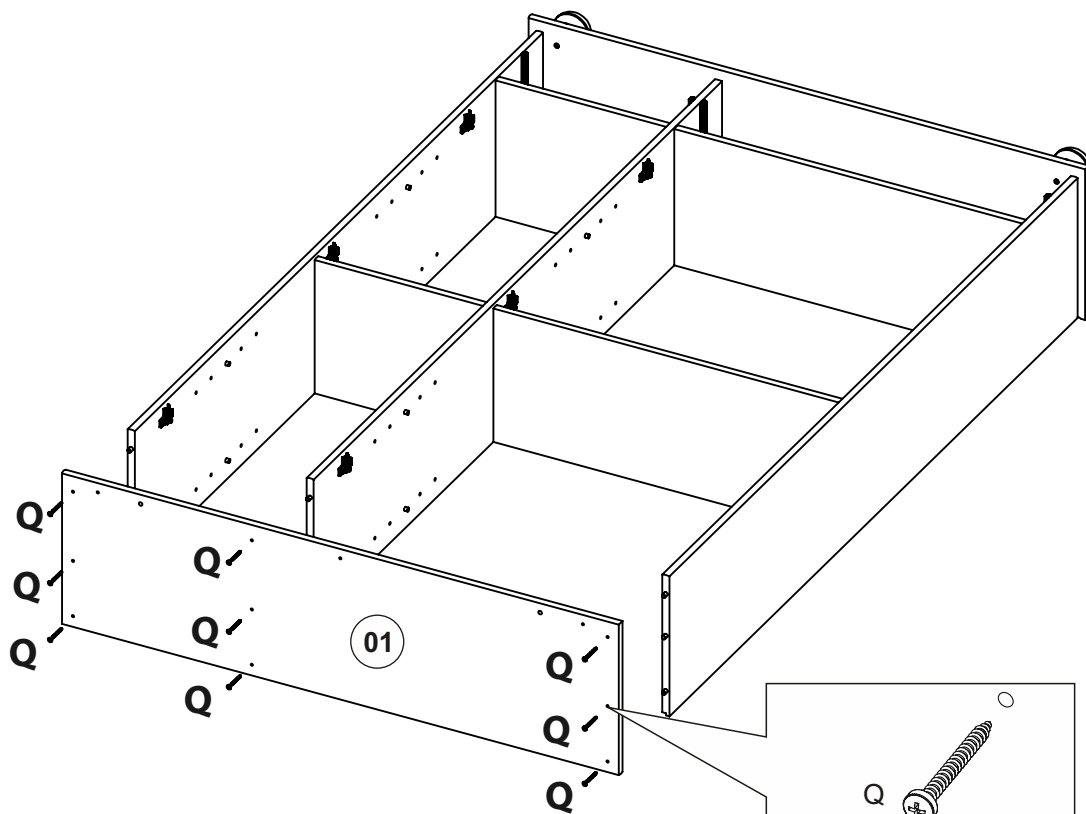
4,0 x 30mm

Q x 3

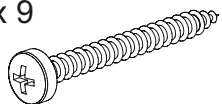


4,0 x 45mm

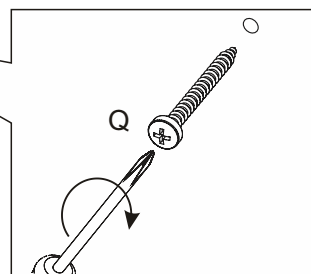
07



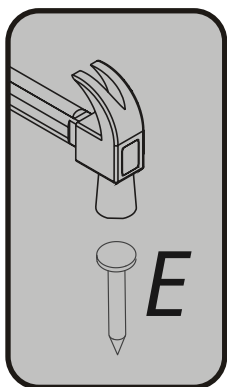
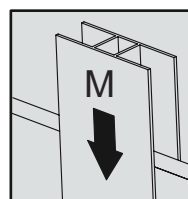
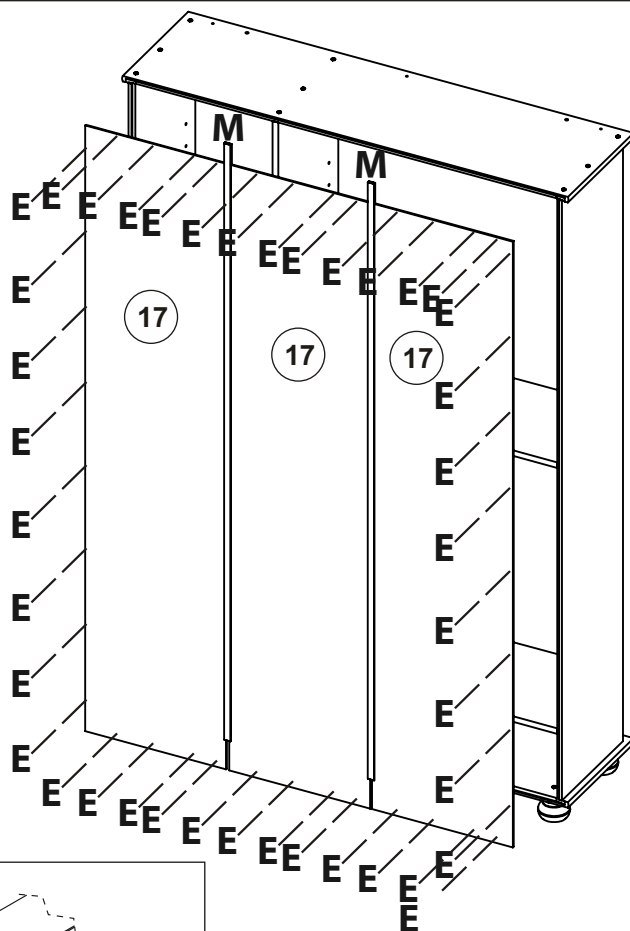
Q x 9



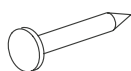
4,0 x 45mm



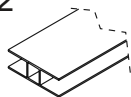
08



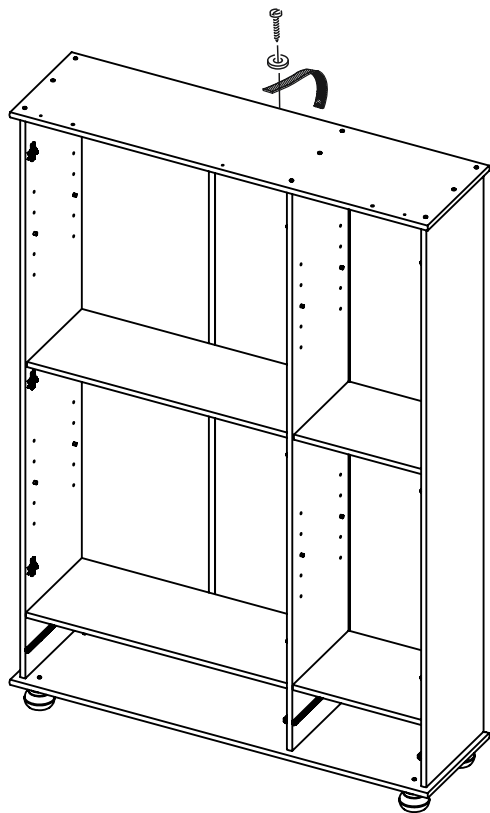
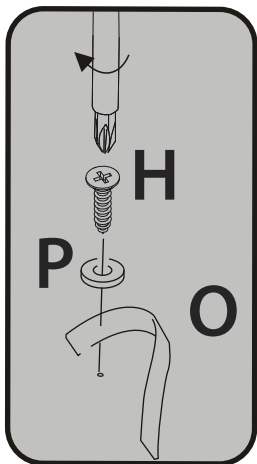
E x 42



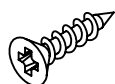
M x 2



09

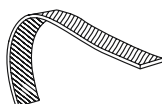


H x 1



3,5 x 14mm

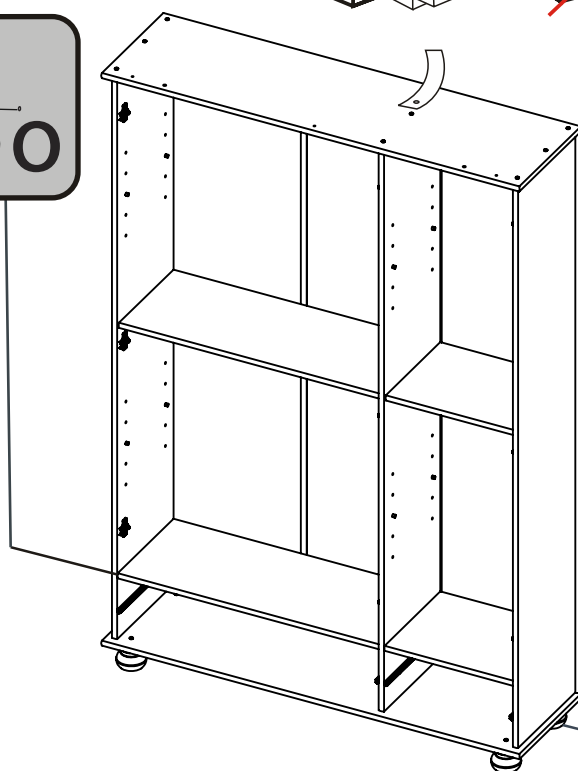
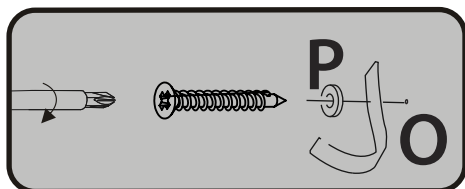
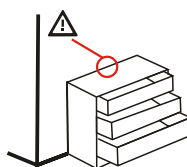
O x 1



P x 1



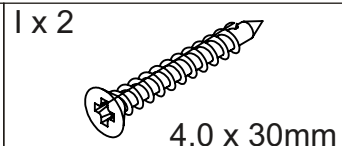
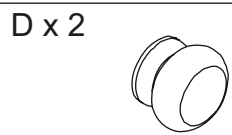
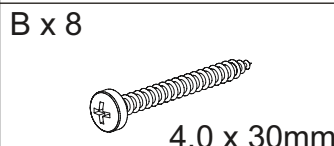
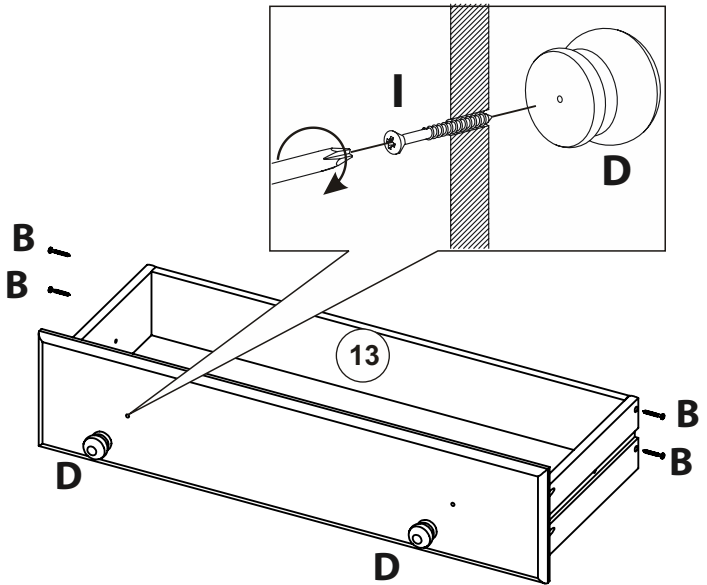
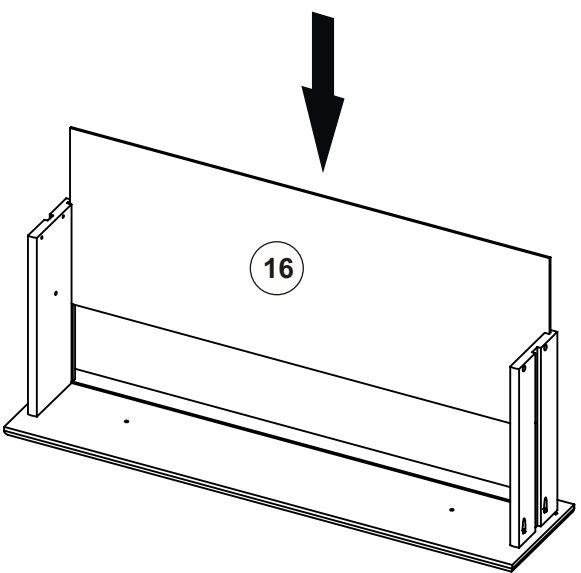
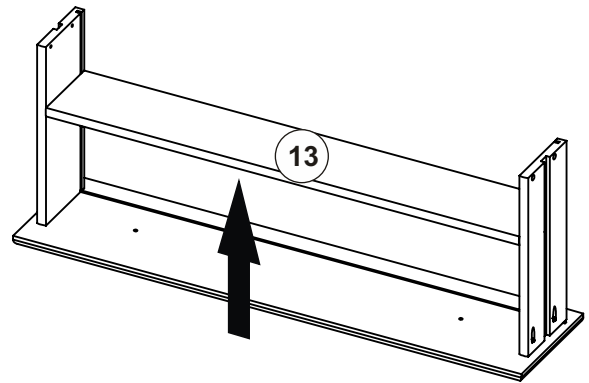
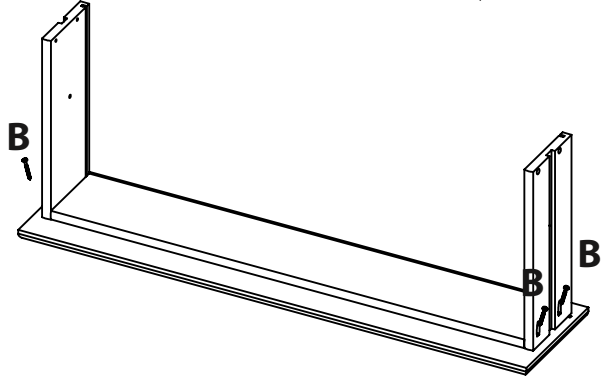
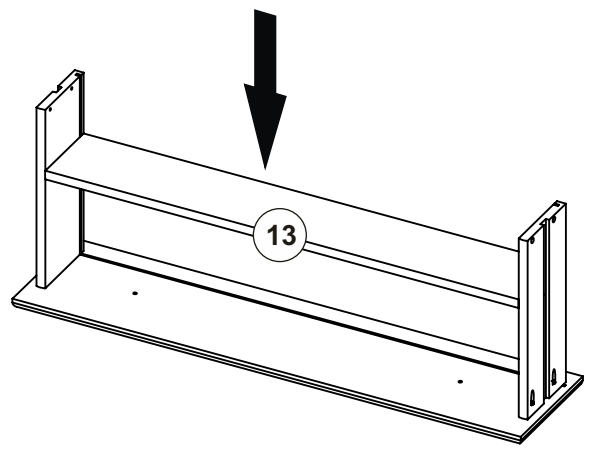
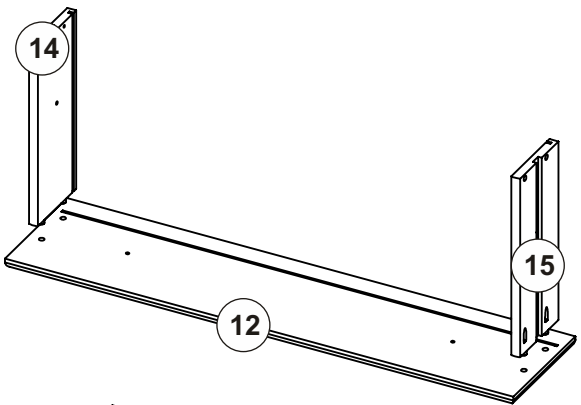
10



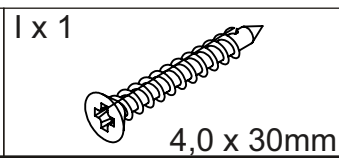
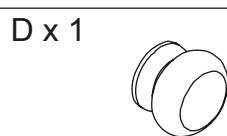
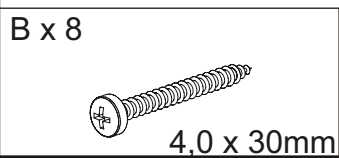
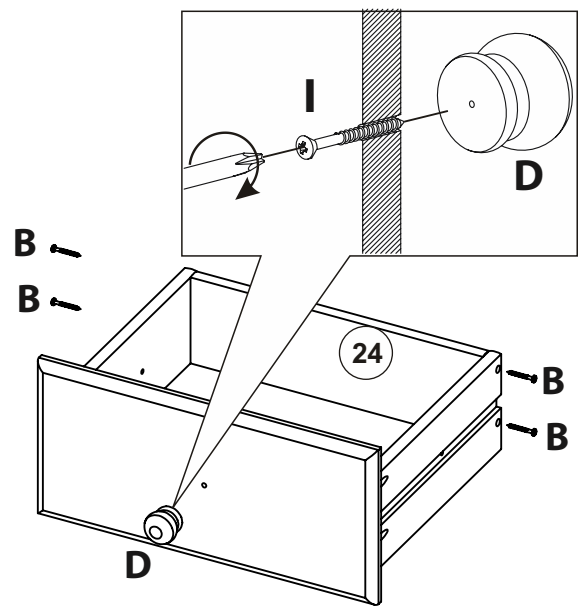
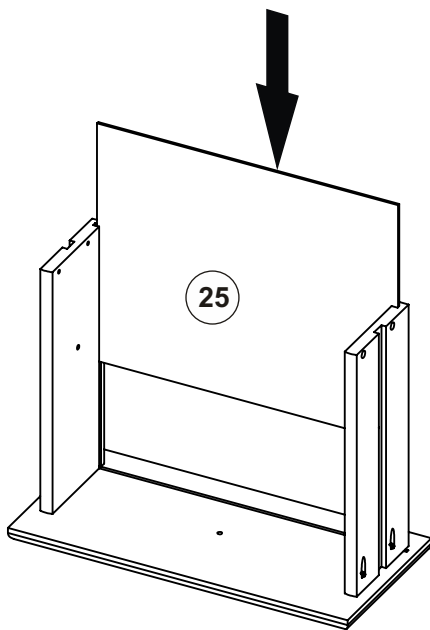
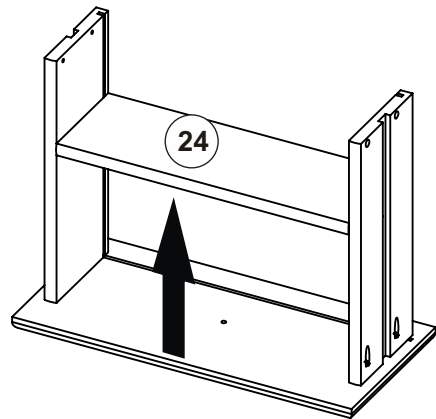
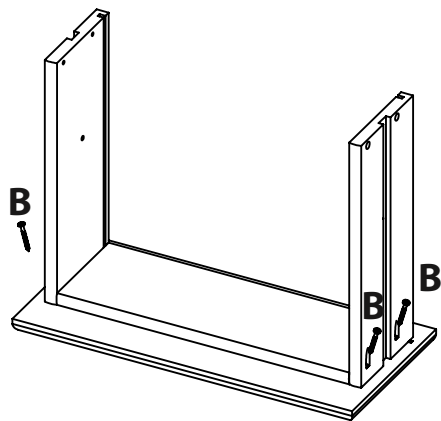
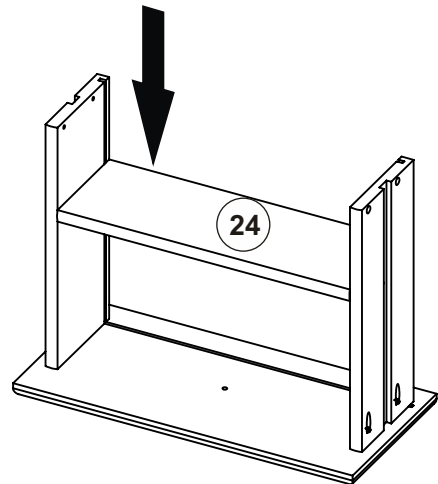
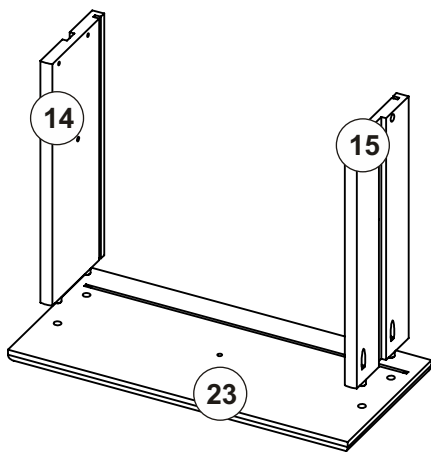
P x 1



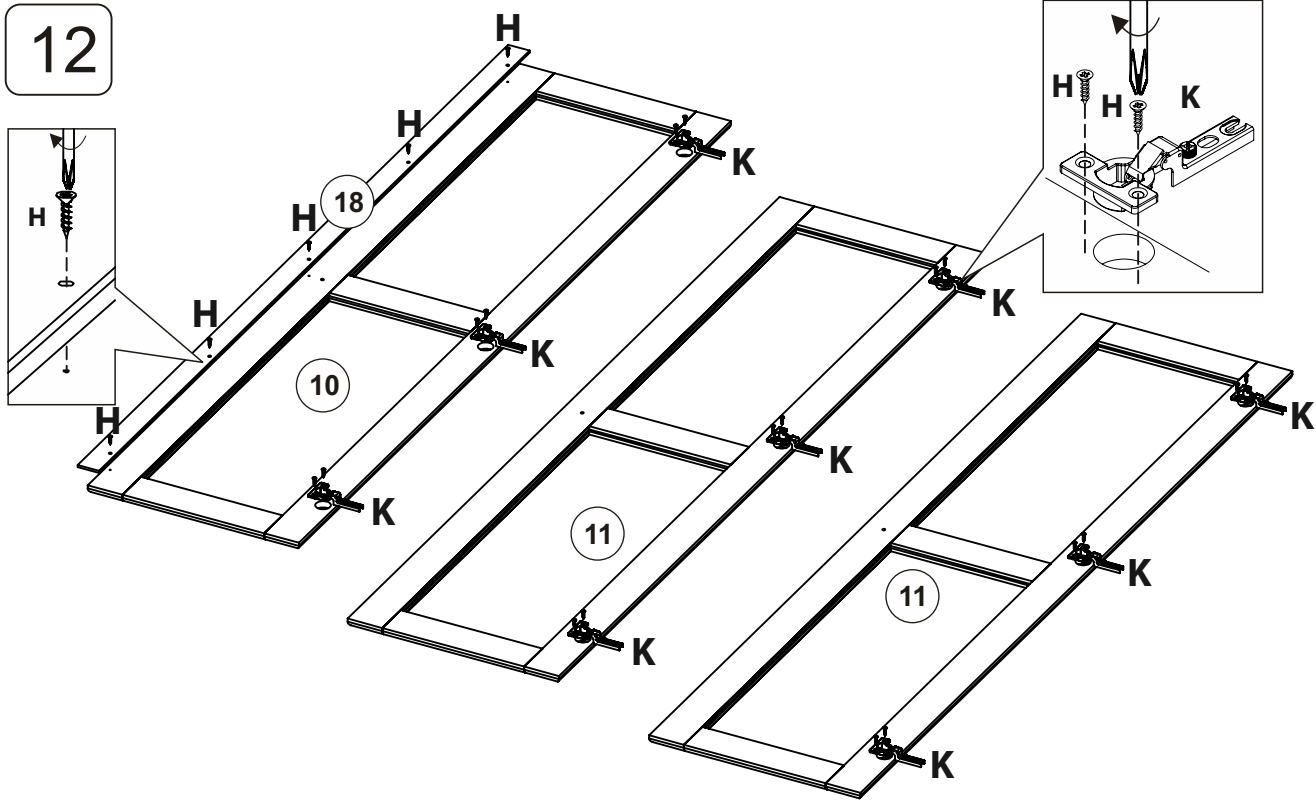
10



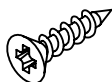
11



12

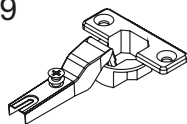


H x 23

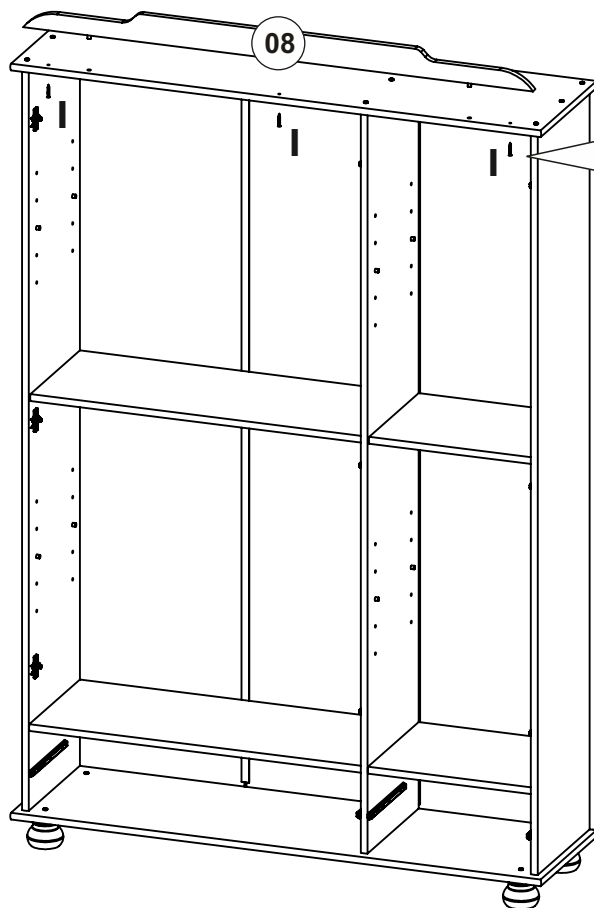


3,5 x 14mm

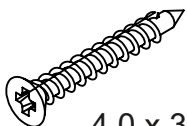
K x 9



13

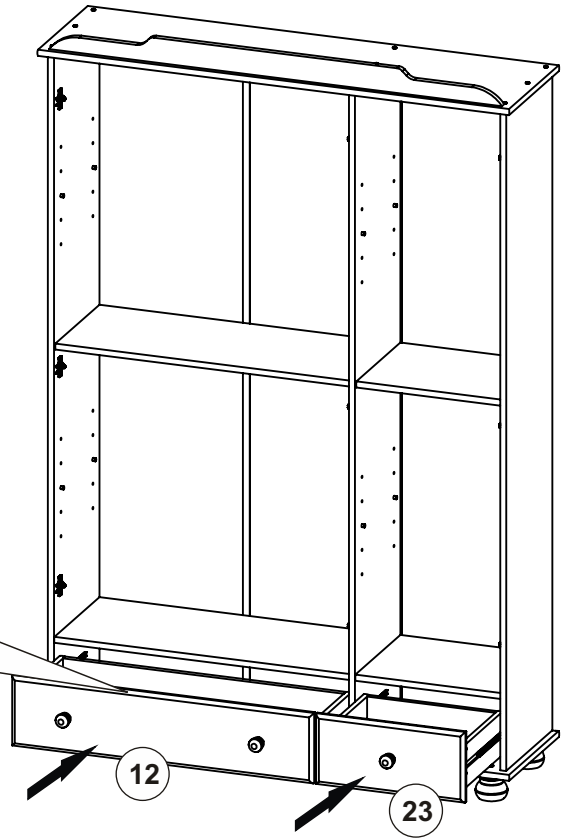
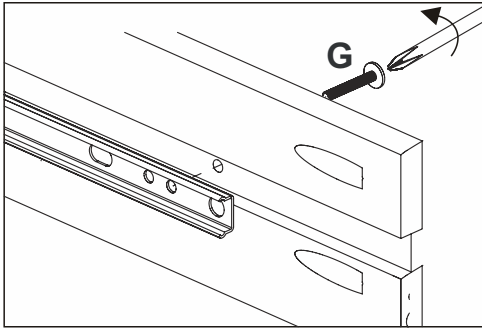


I x 3



4,0 x 30mm

14

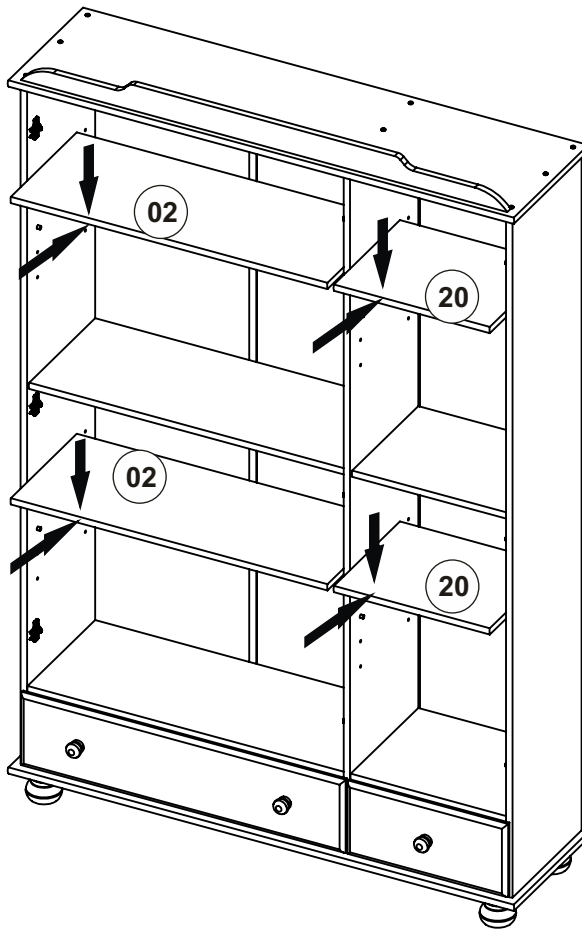


G x 4

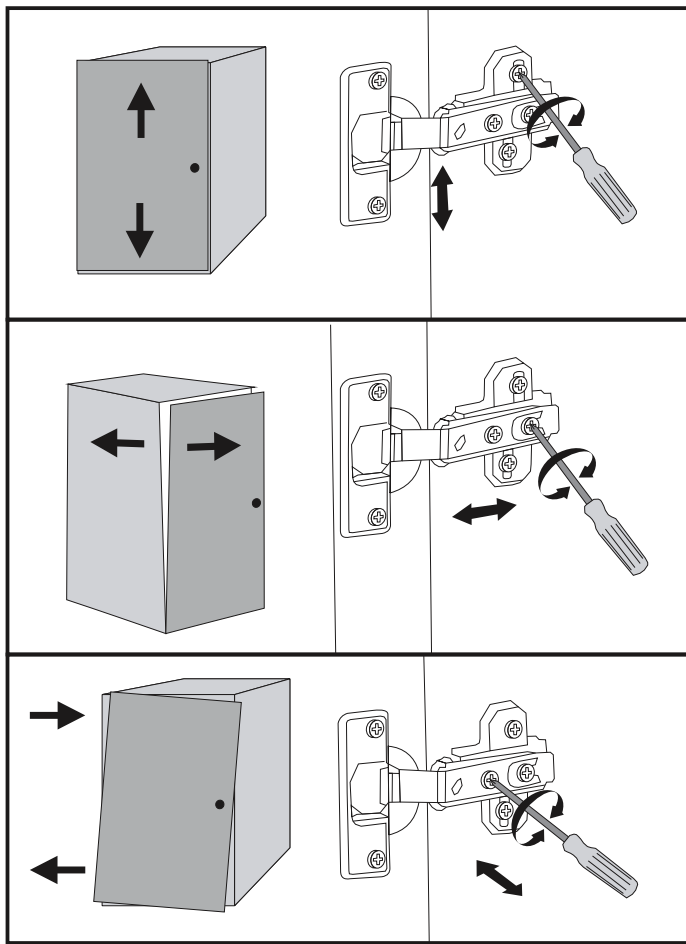
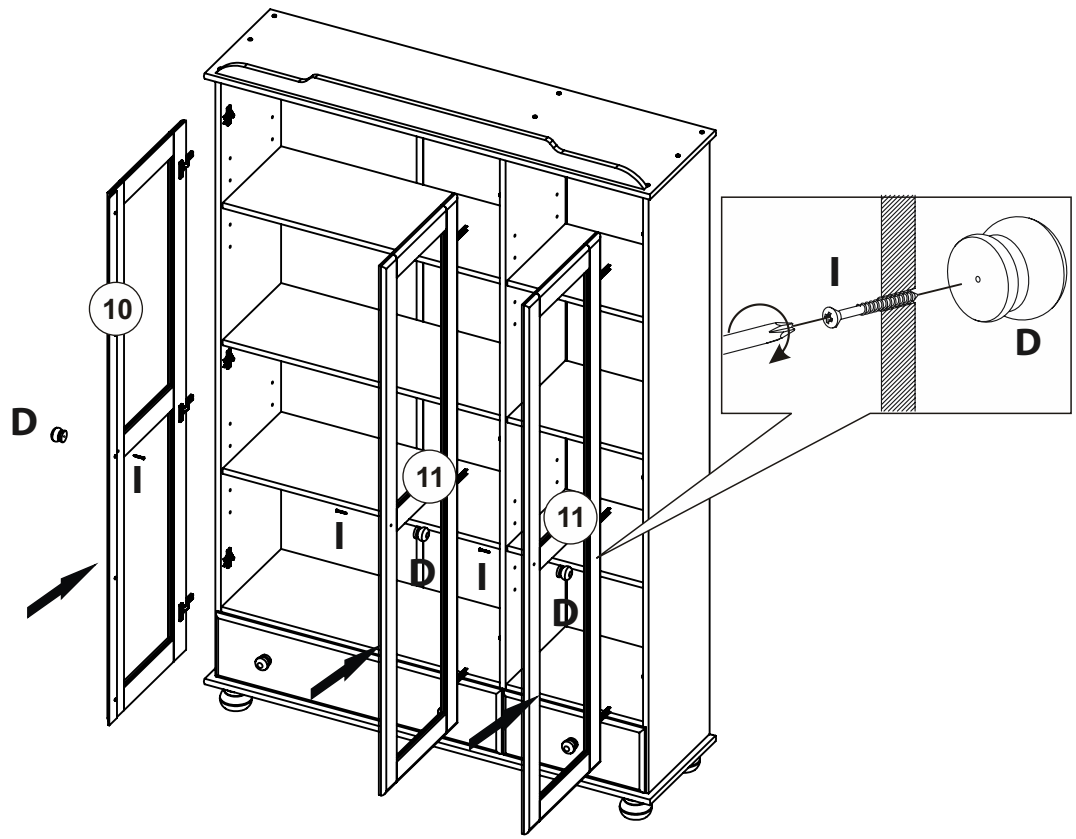


M4 x 12mm

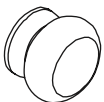
15



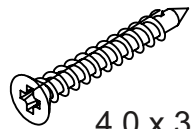
16



D x 3



I x 3



4,0 x 30mm