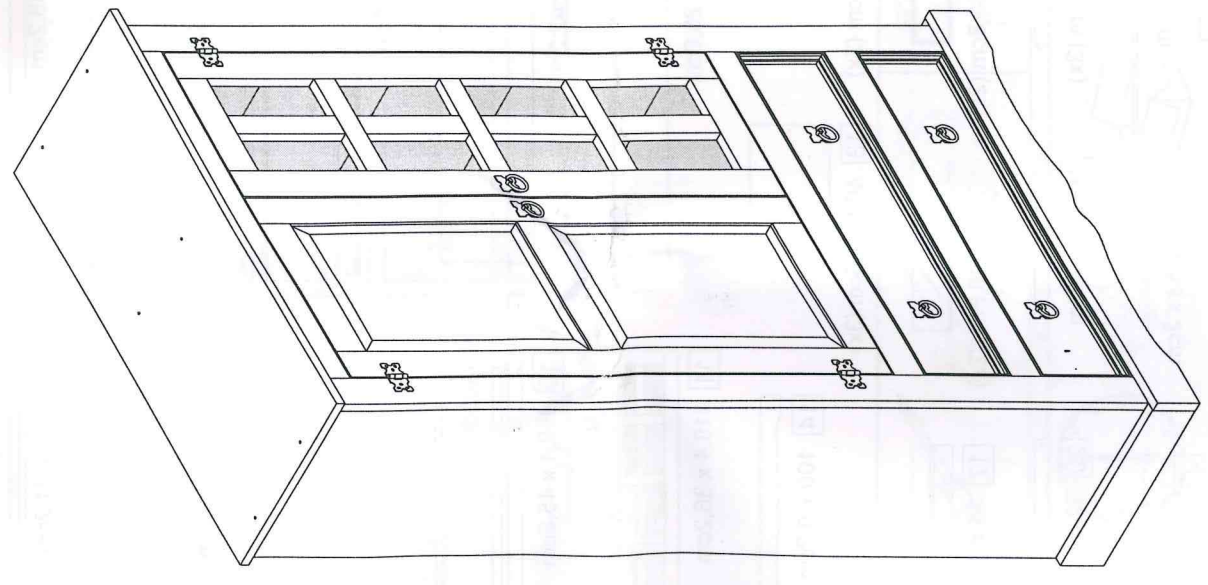
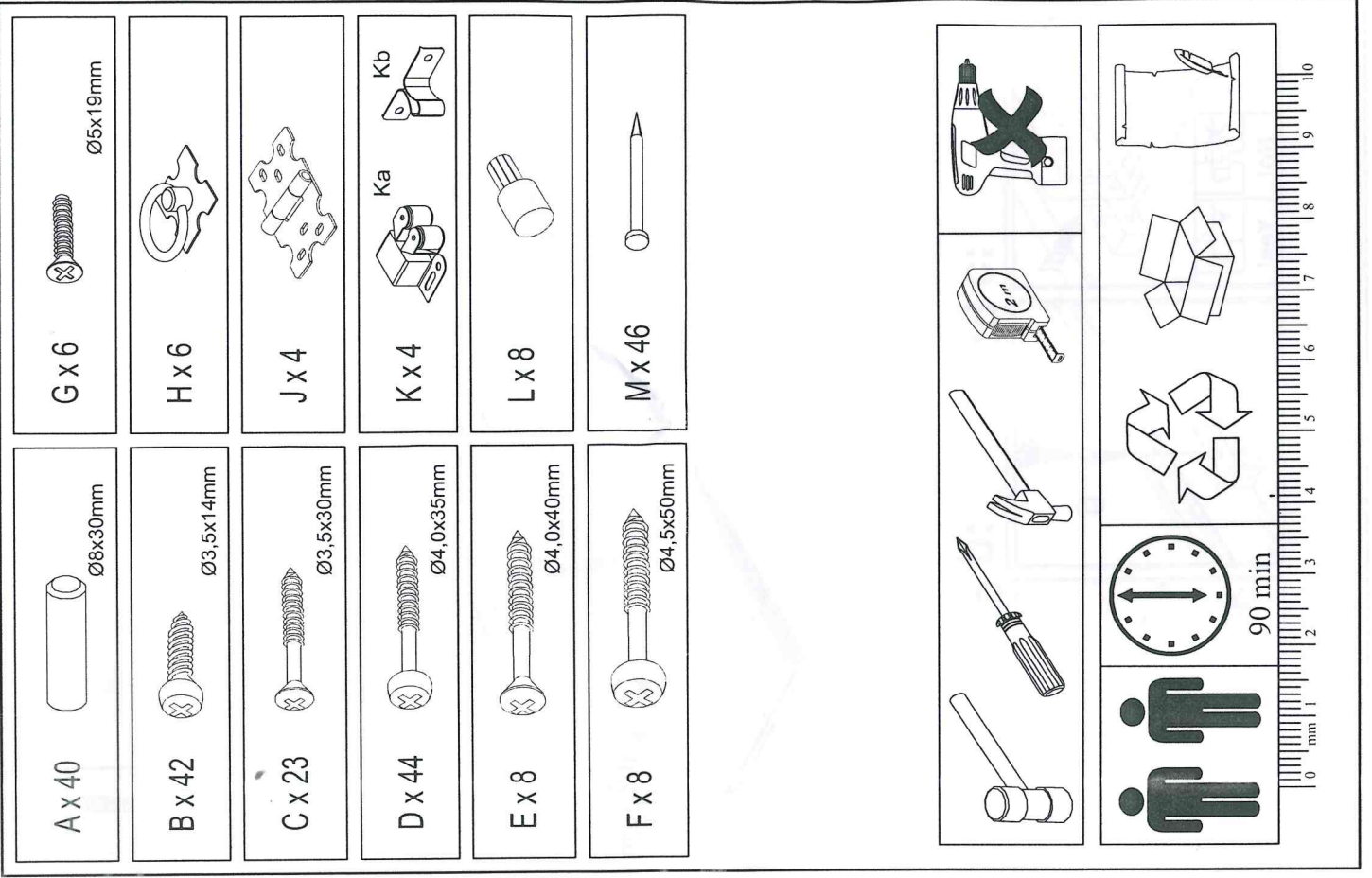
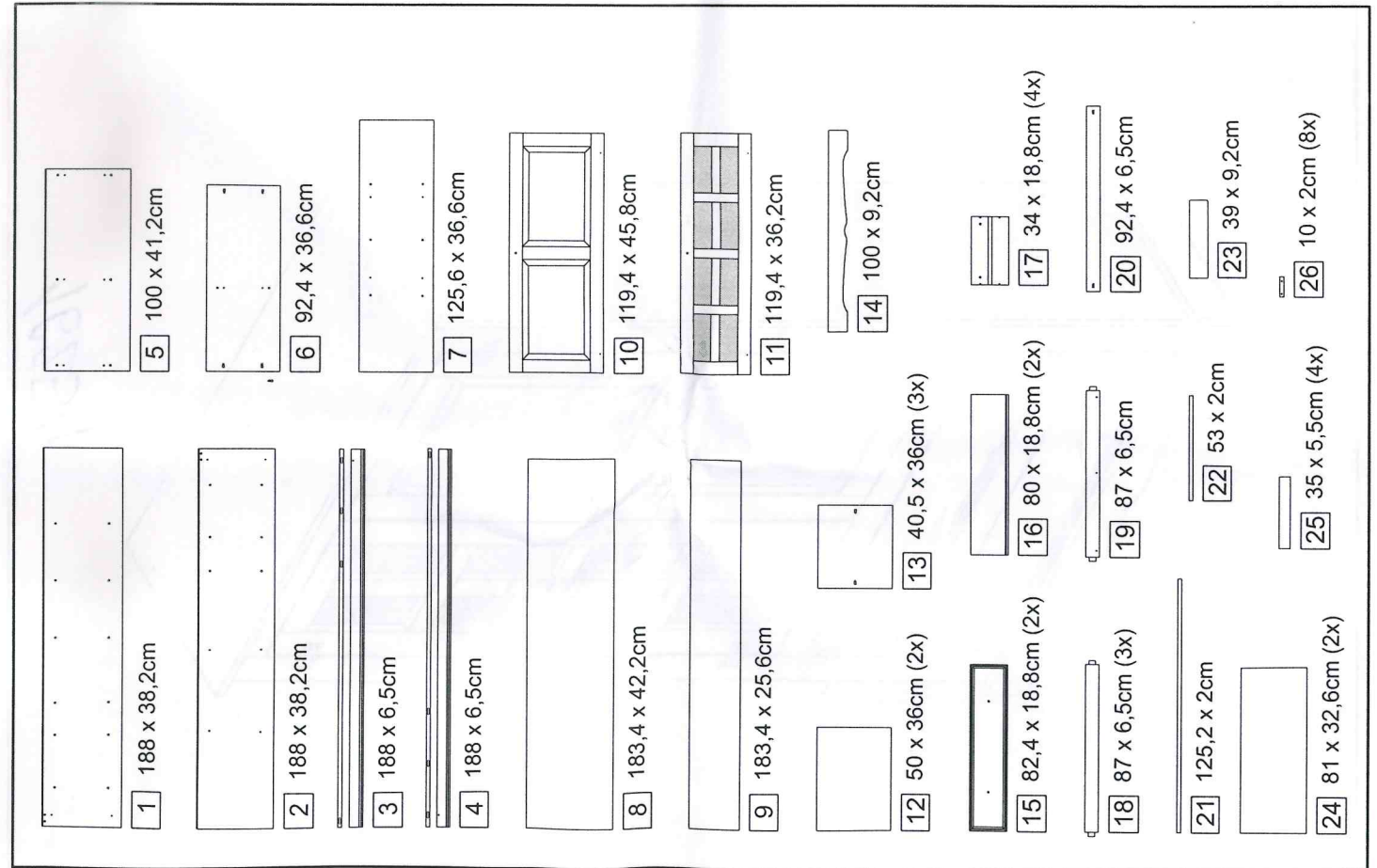


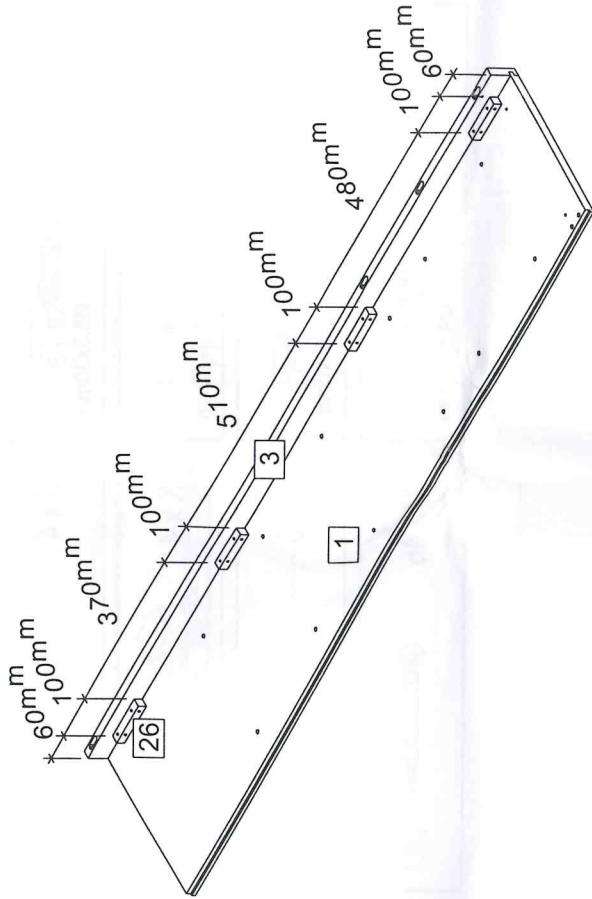
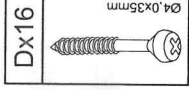
16254



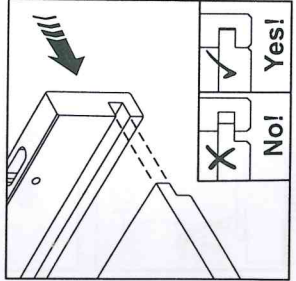
Ref.: 530



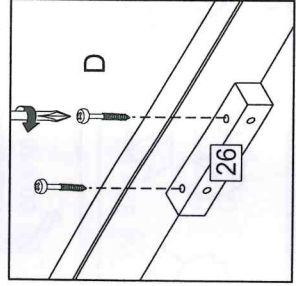
1



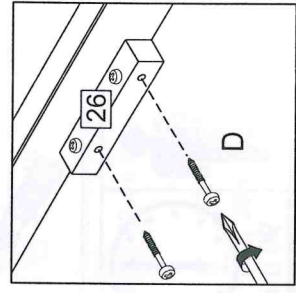
a:



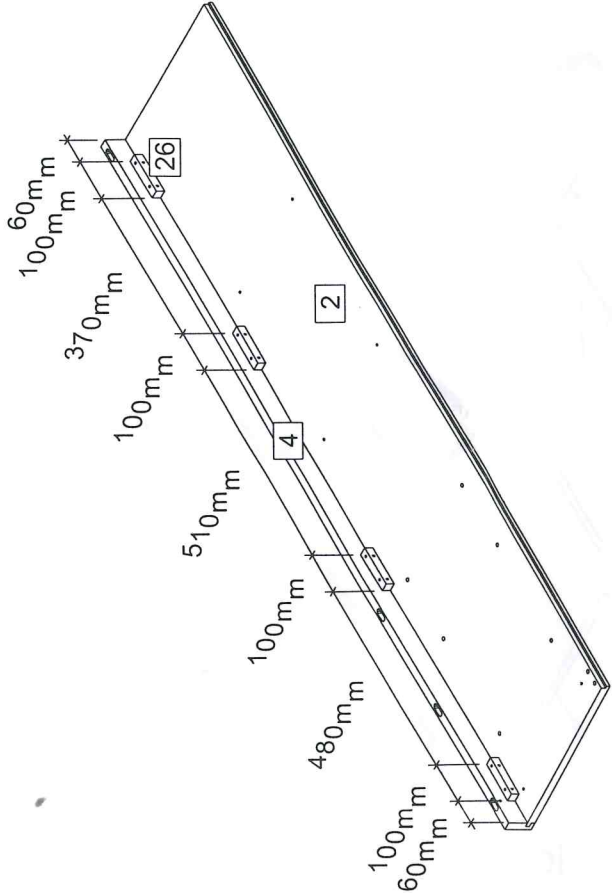
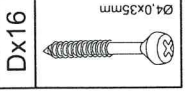
b:



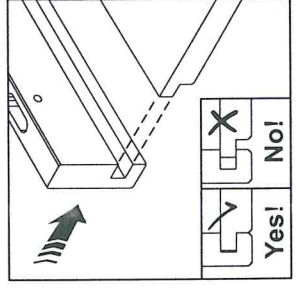
c:



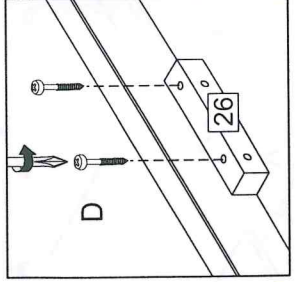
2



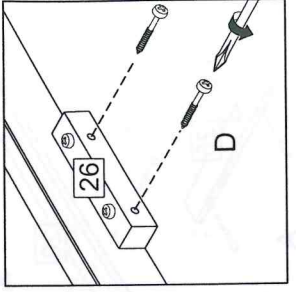
a:



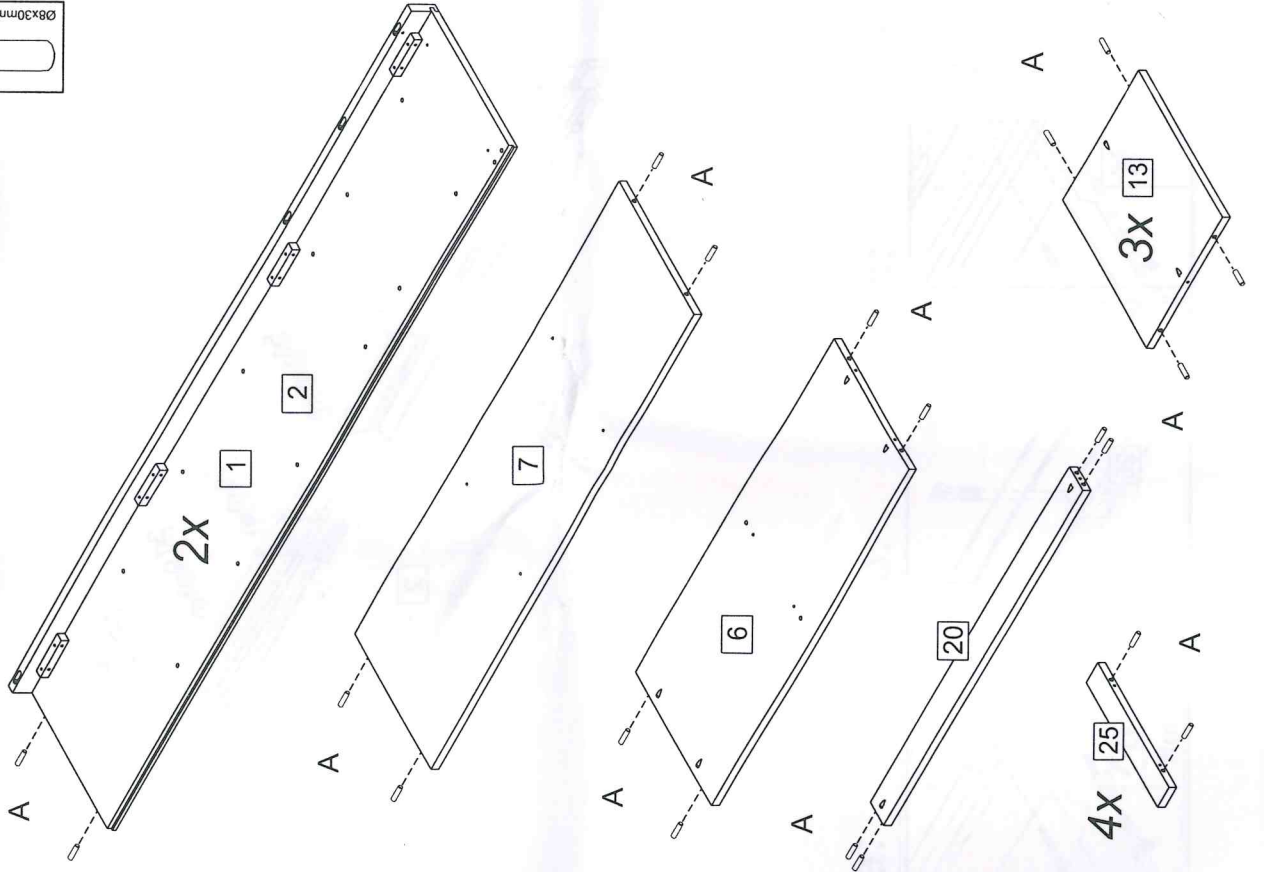
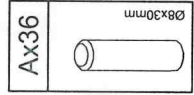
b:



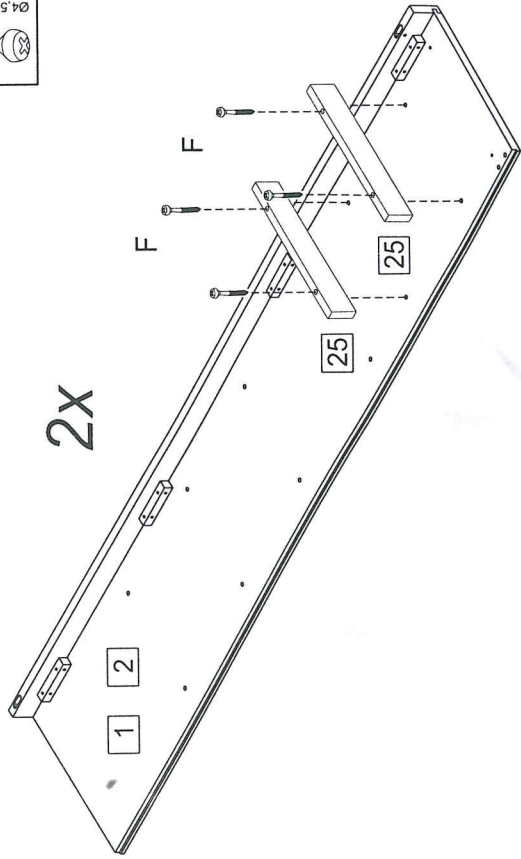
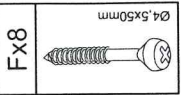
c:



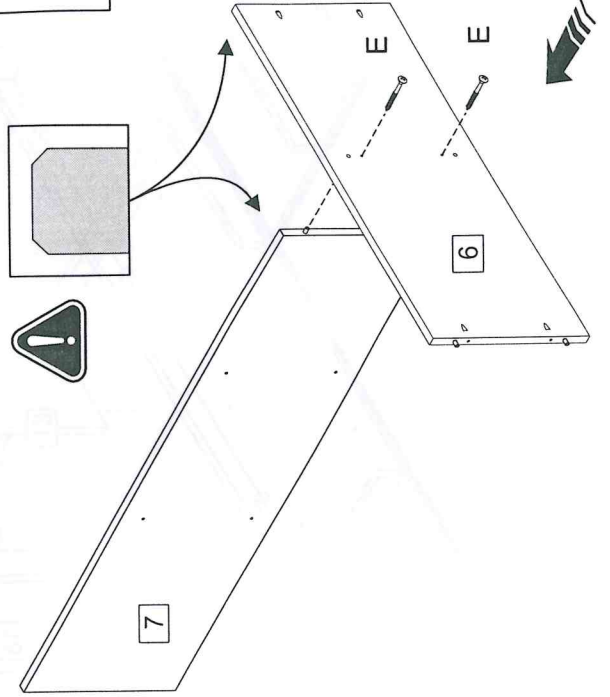
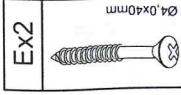
3



4

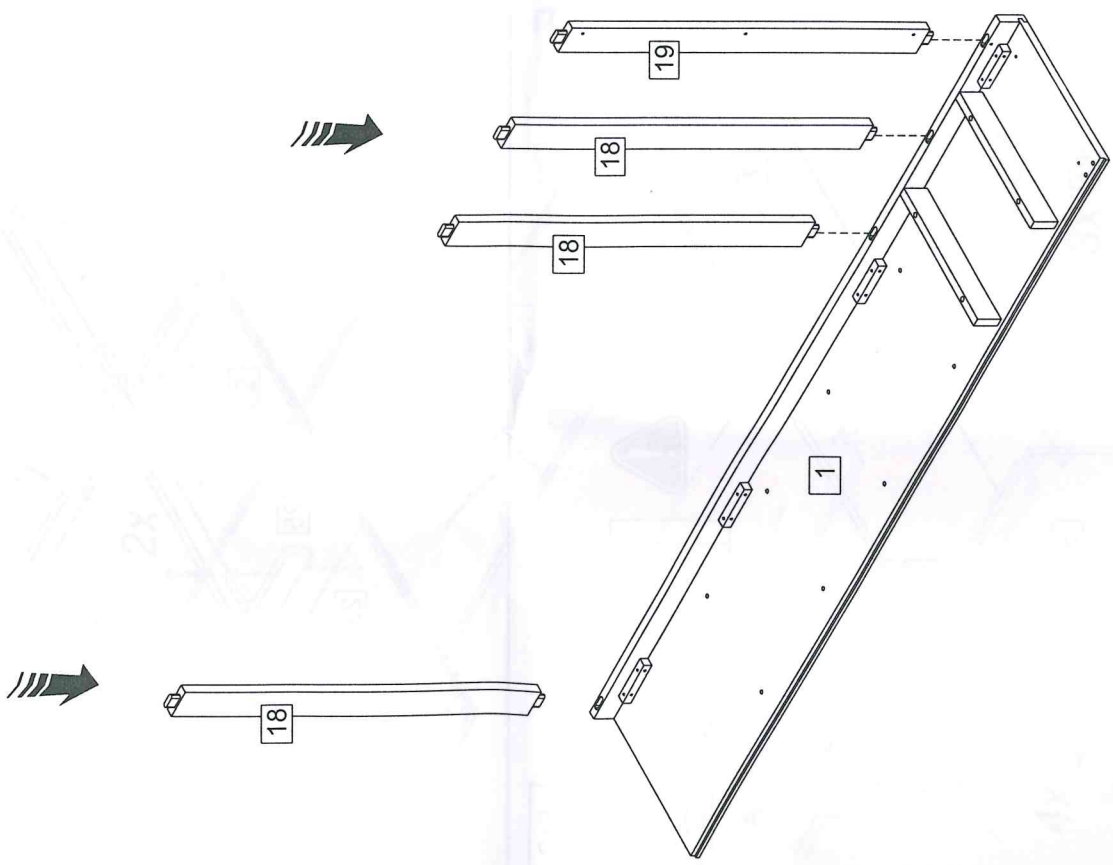


5



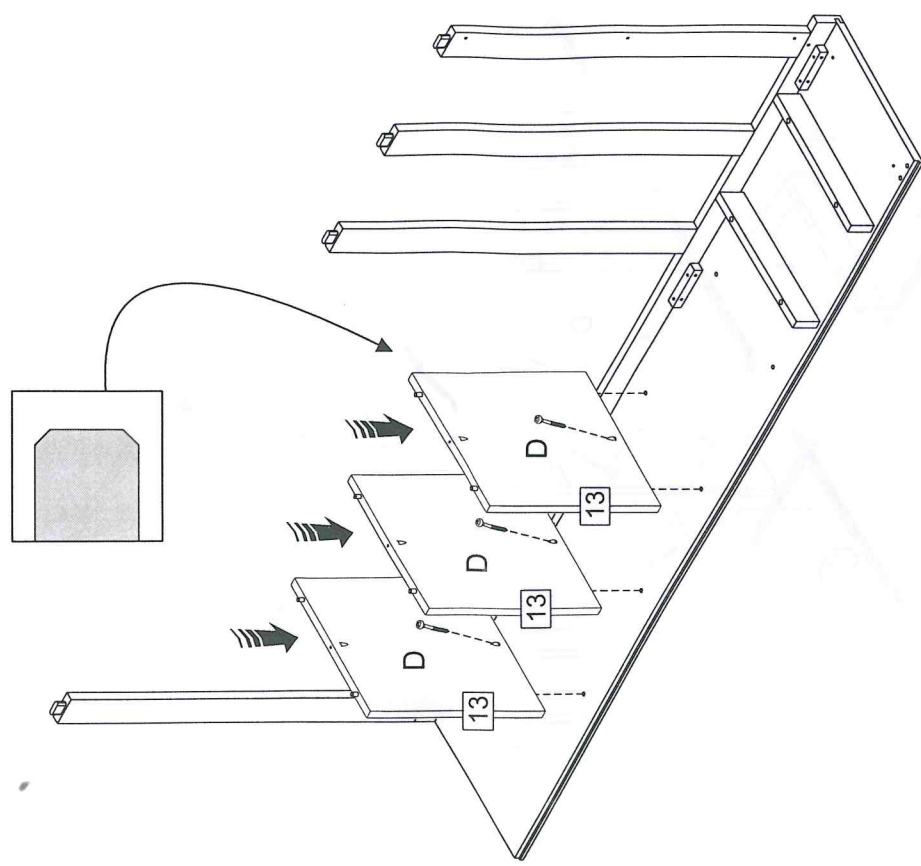
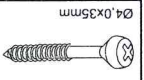


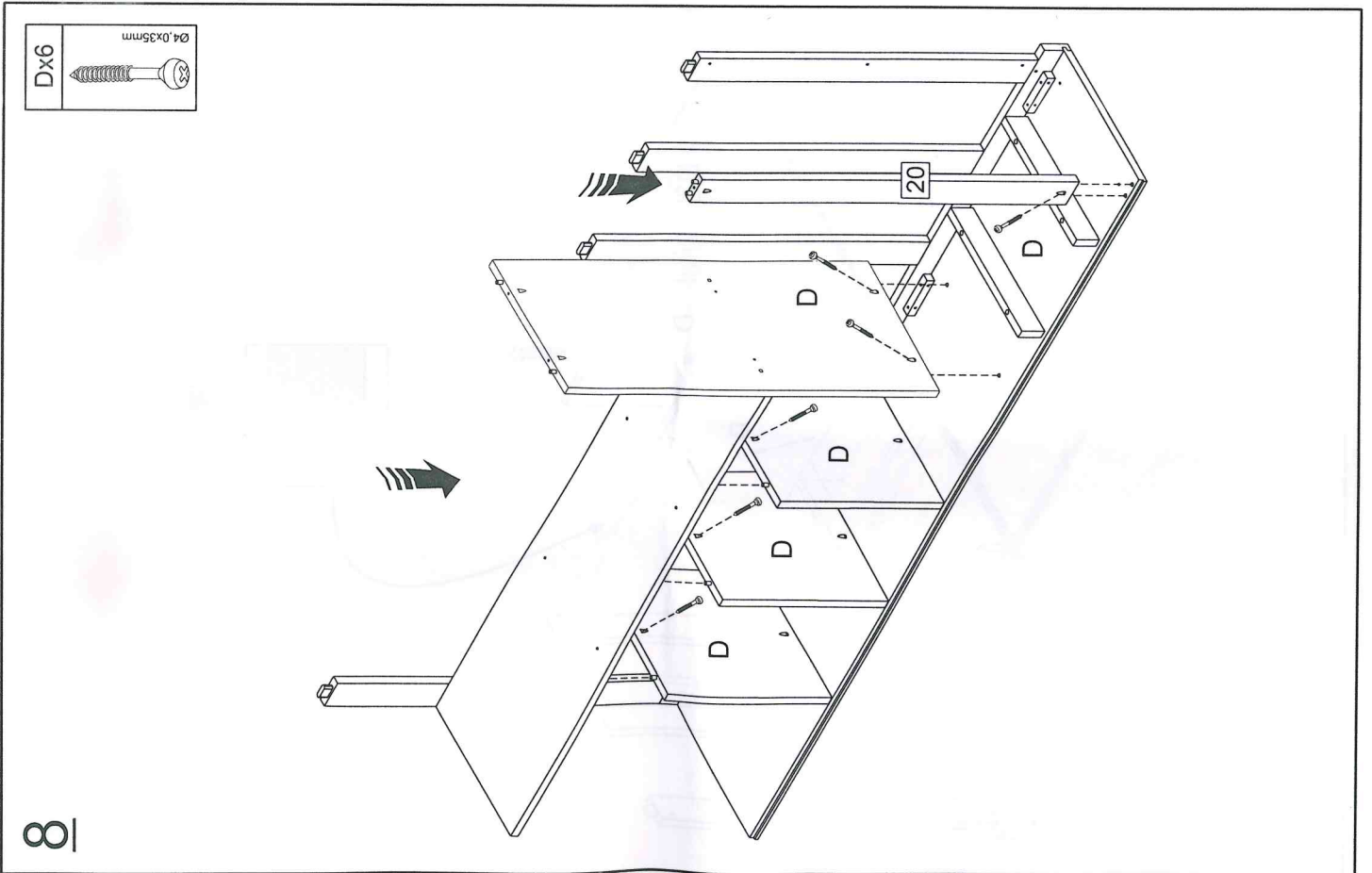
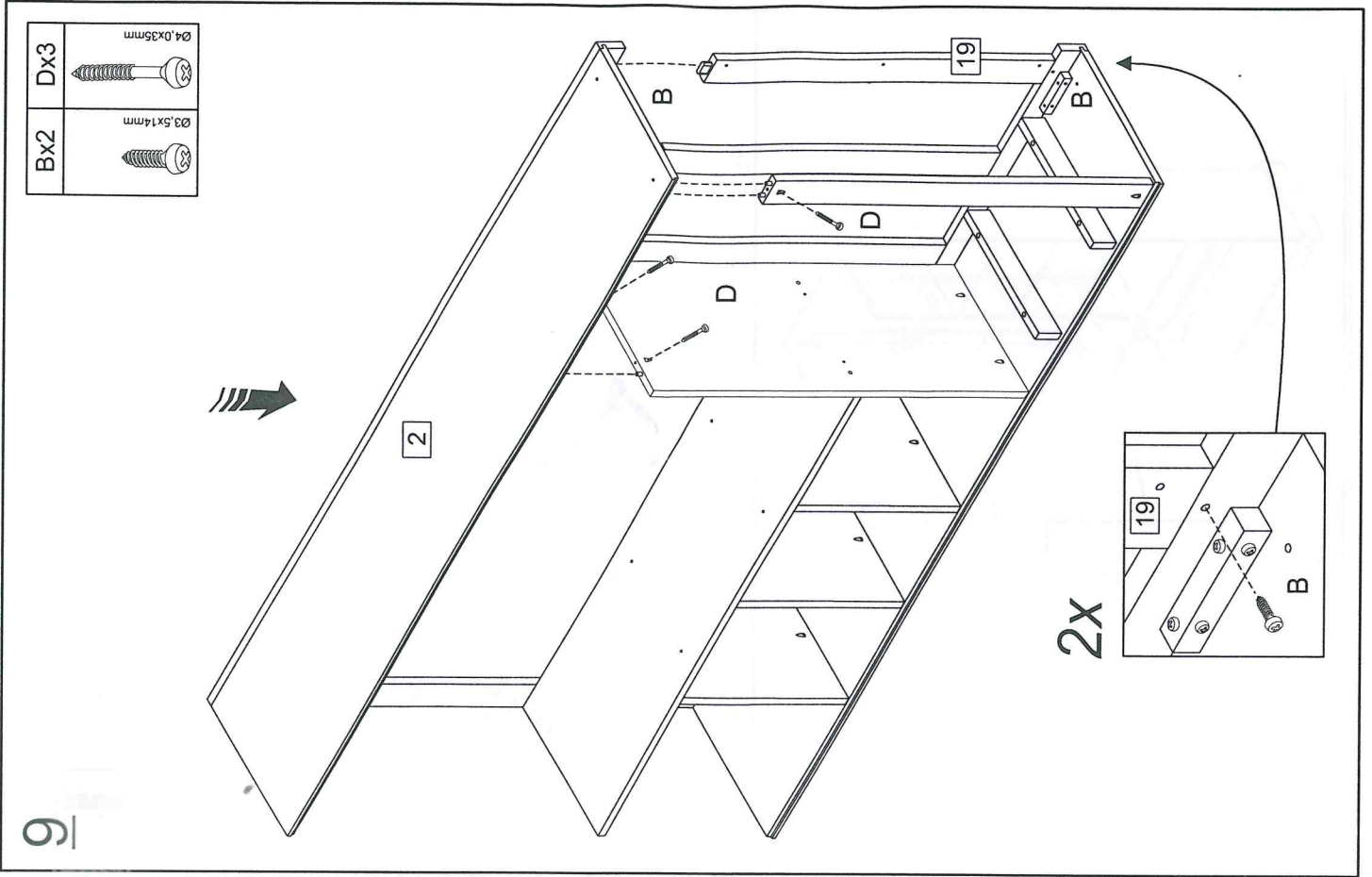
6



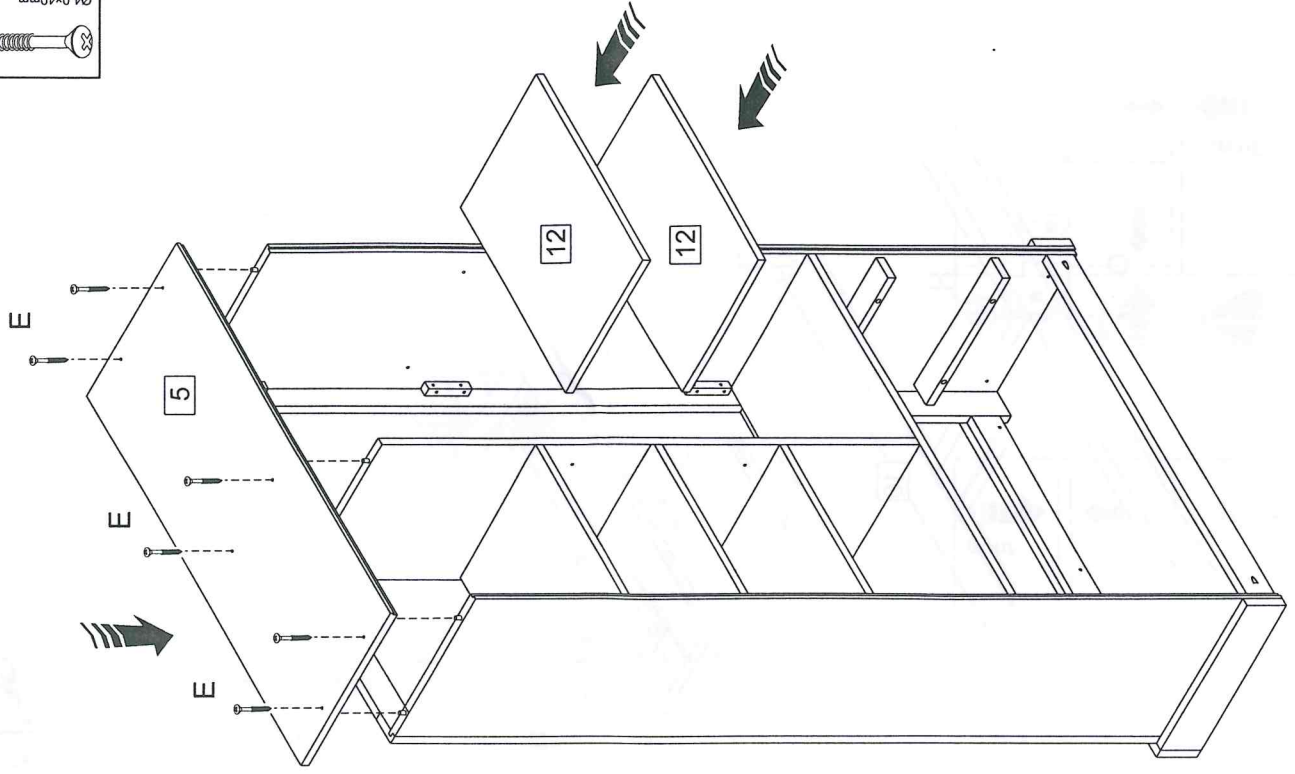
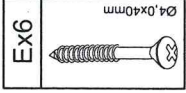
7

DX3  
Ø4,0x35mm

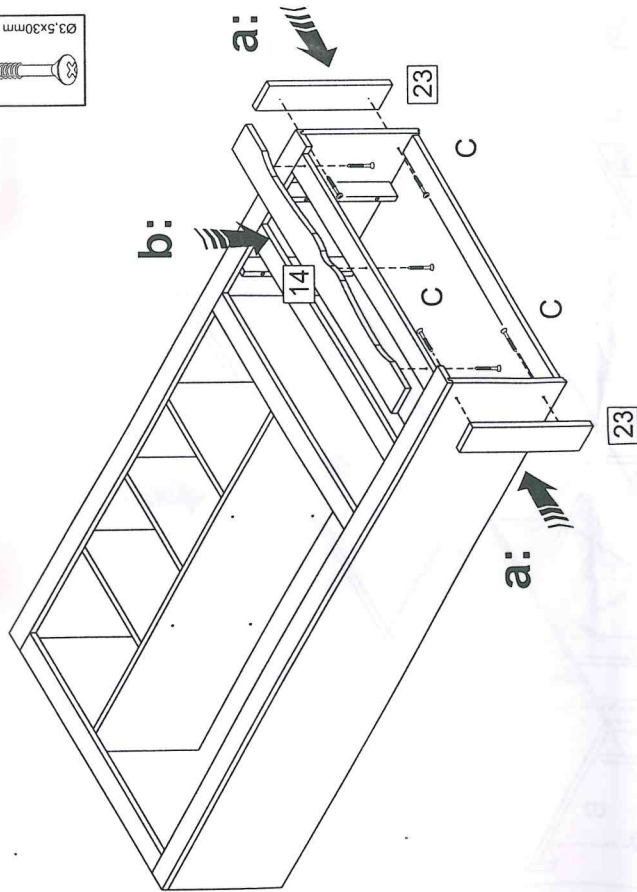
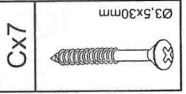




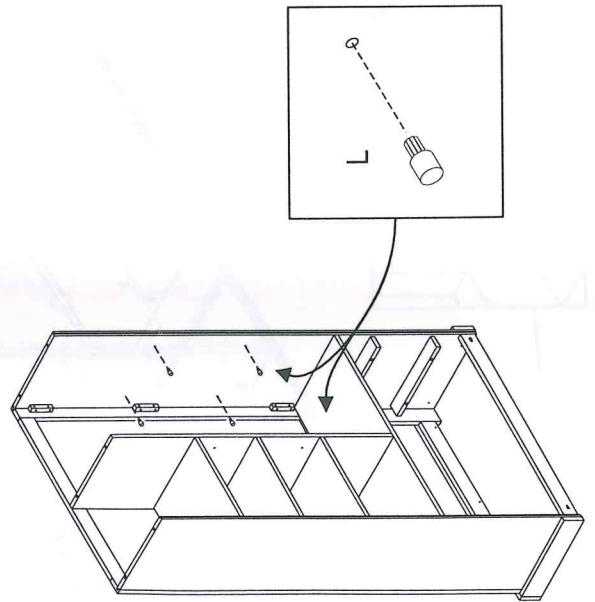
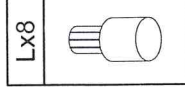
12



10



11



13

Bx12  
Ø3.5x14mm



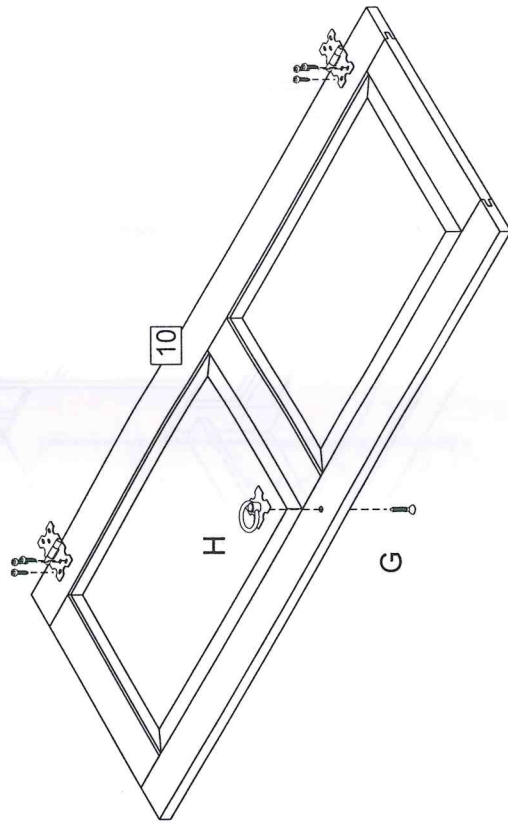
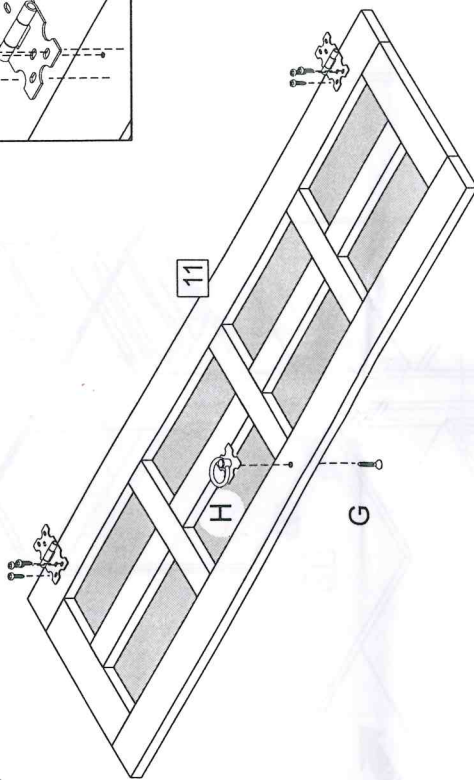
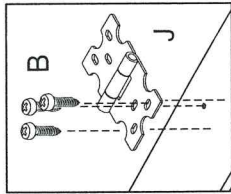
Gx2  
Ø6x19mm



Hx2

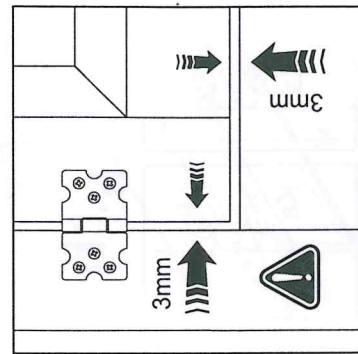
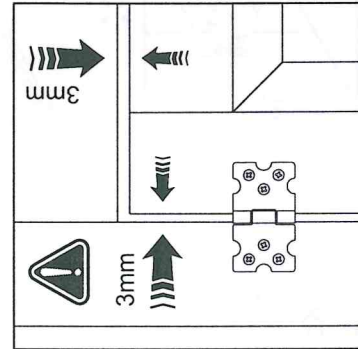
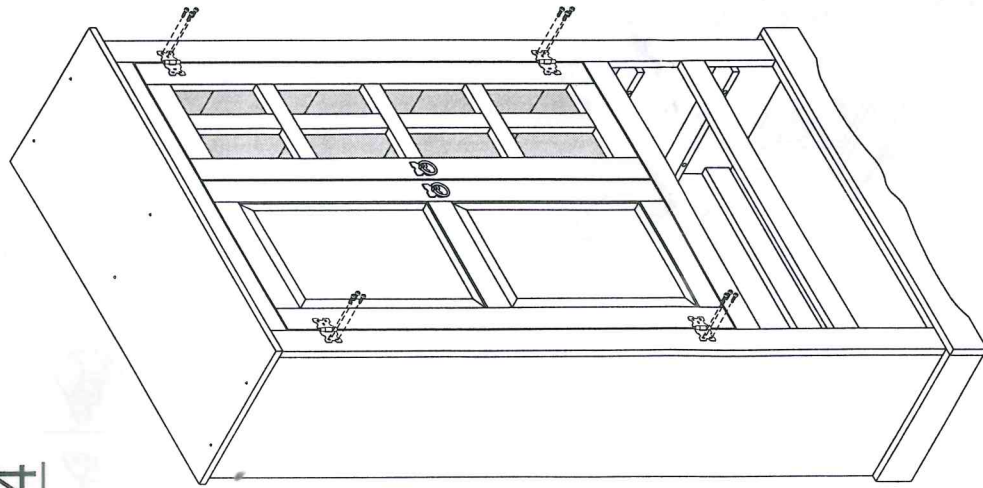
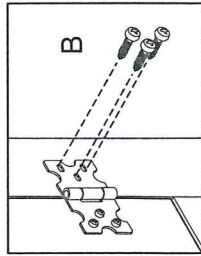


Jx4






14

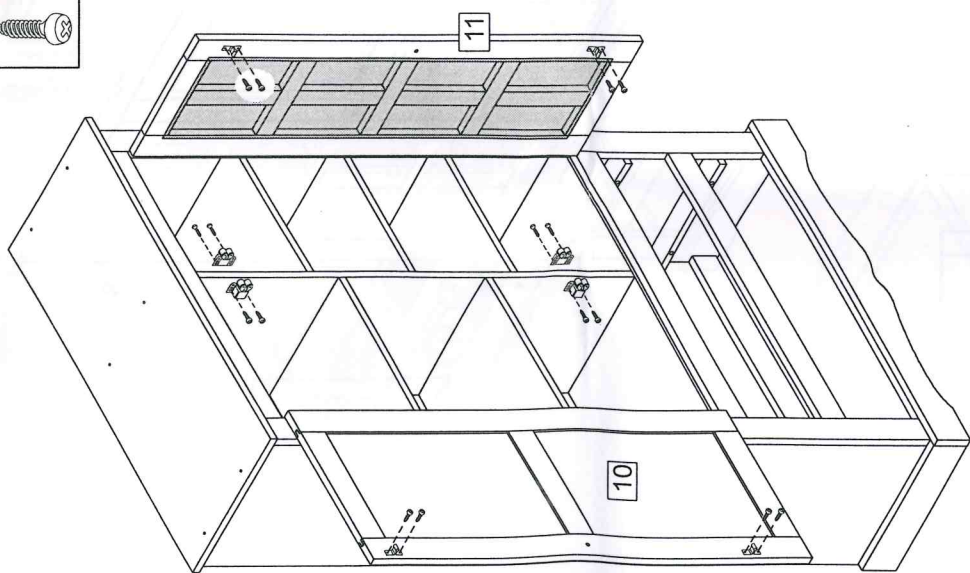
Bx12  
Ø3.5x14mm



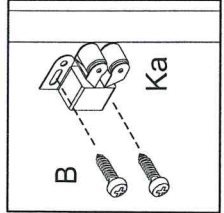


15

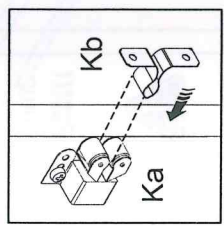
Bx16	Kax4	Kbx4
		



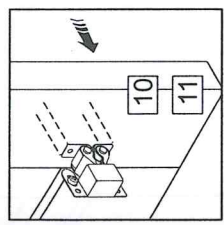
**a:**



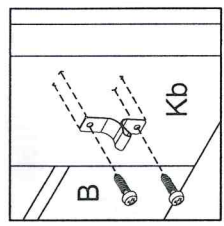
**b:**



**c:**

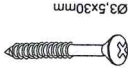




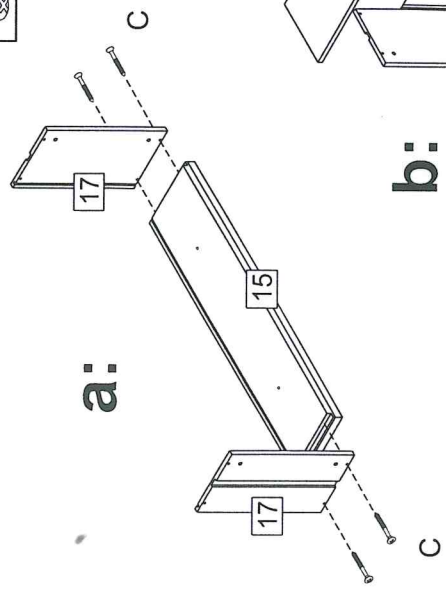
**d:**



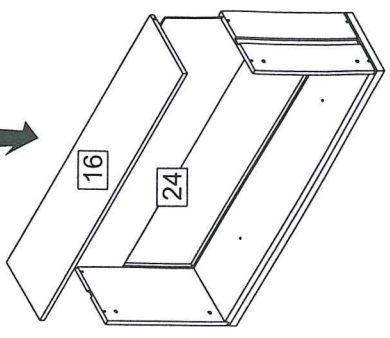
16

2x

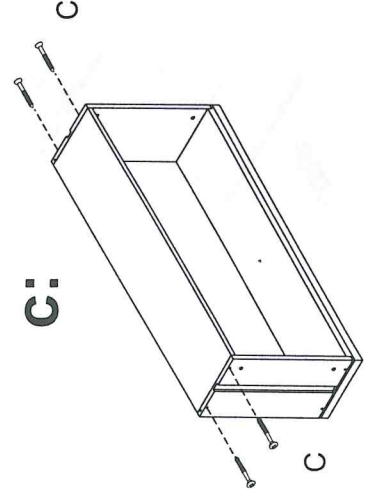
Cx16	Gx4	Hx4
		



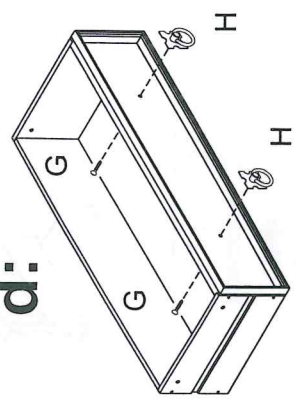
**b:**



**c:**

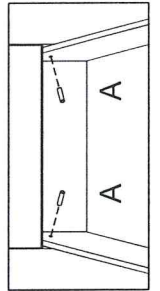
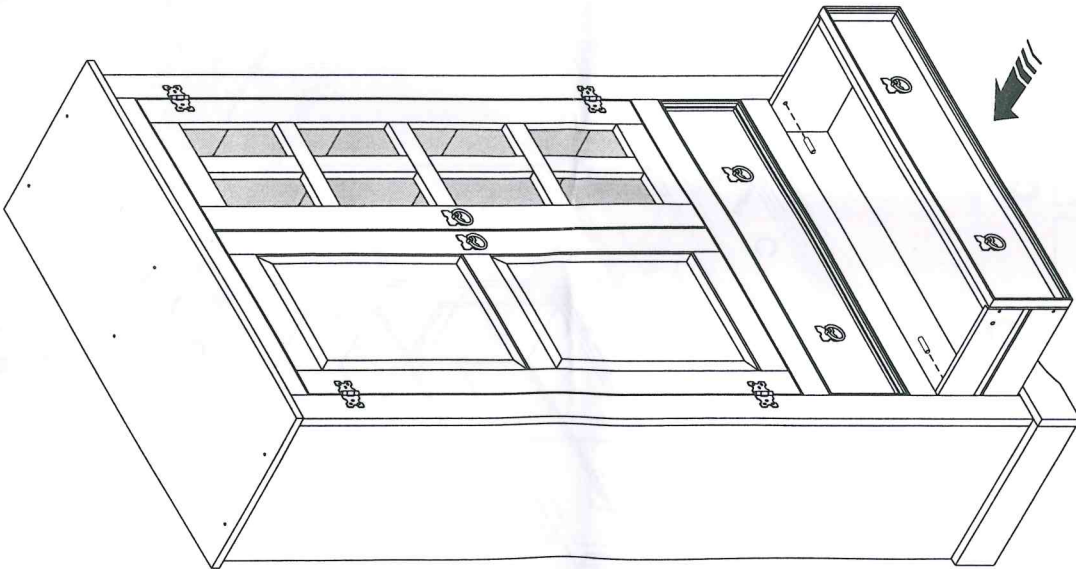


**d:**



17

Ax4  
Ø6x30mm



18

Mx46

