
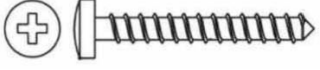
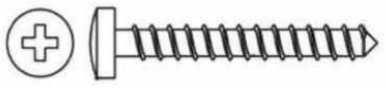

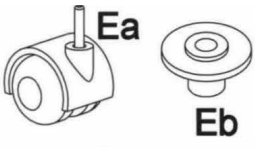
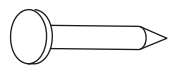
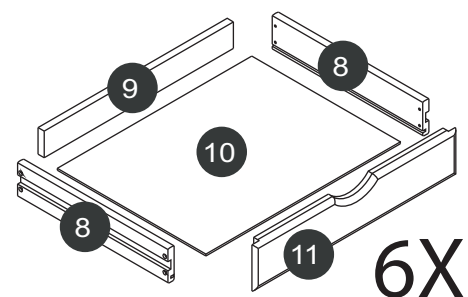
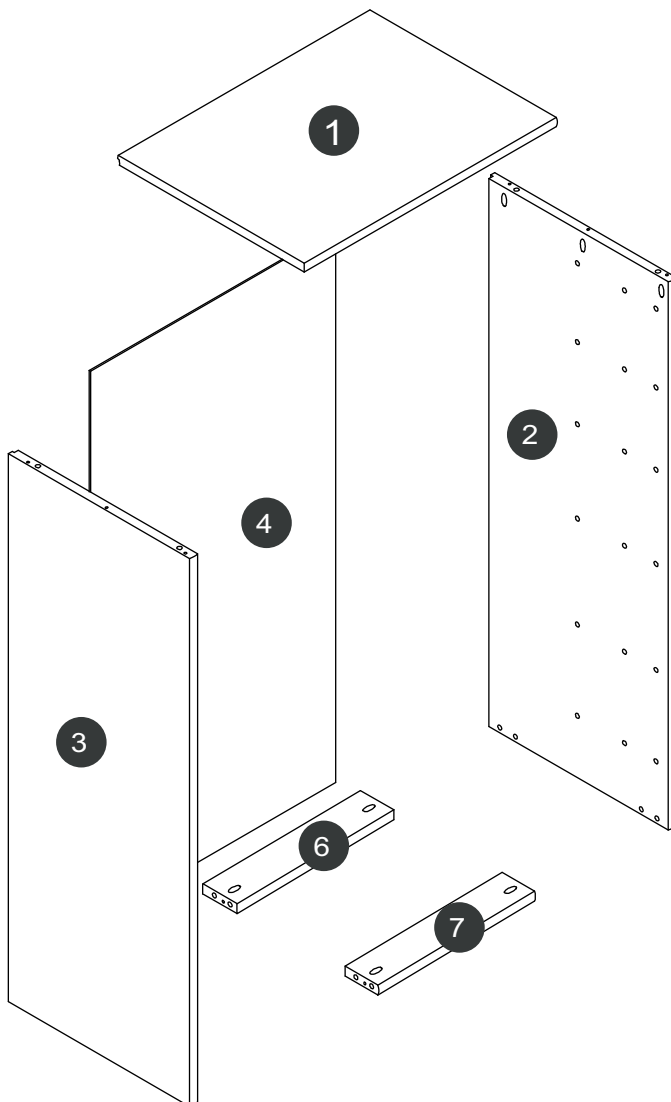
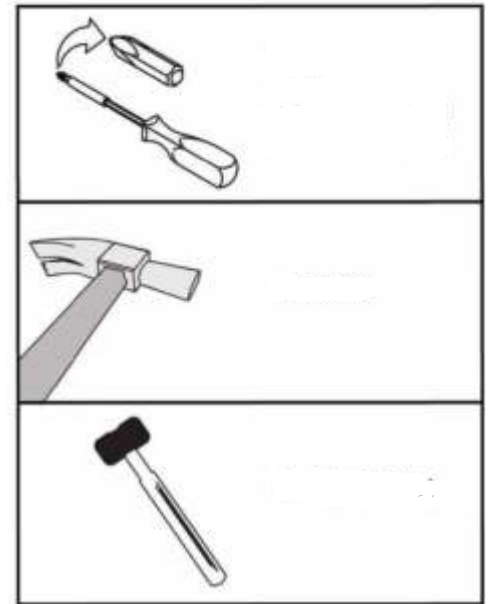
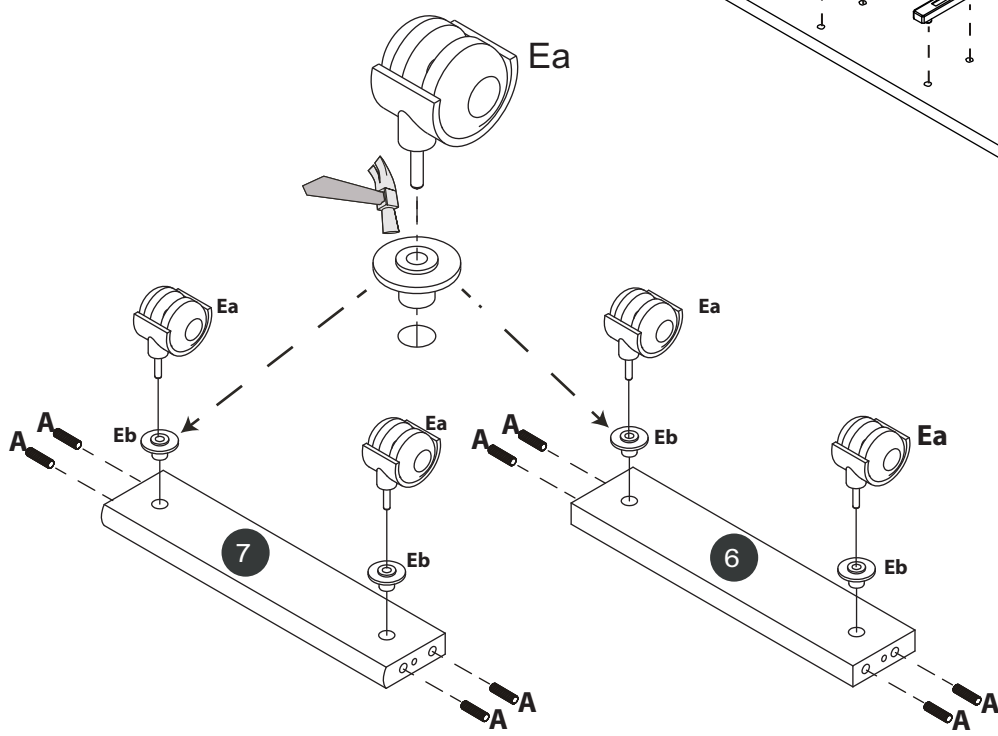
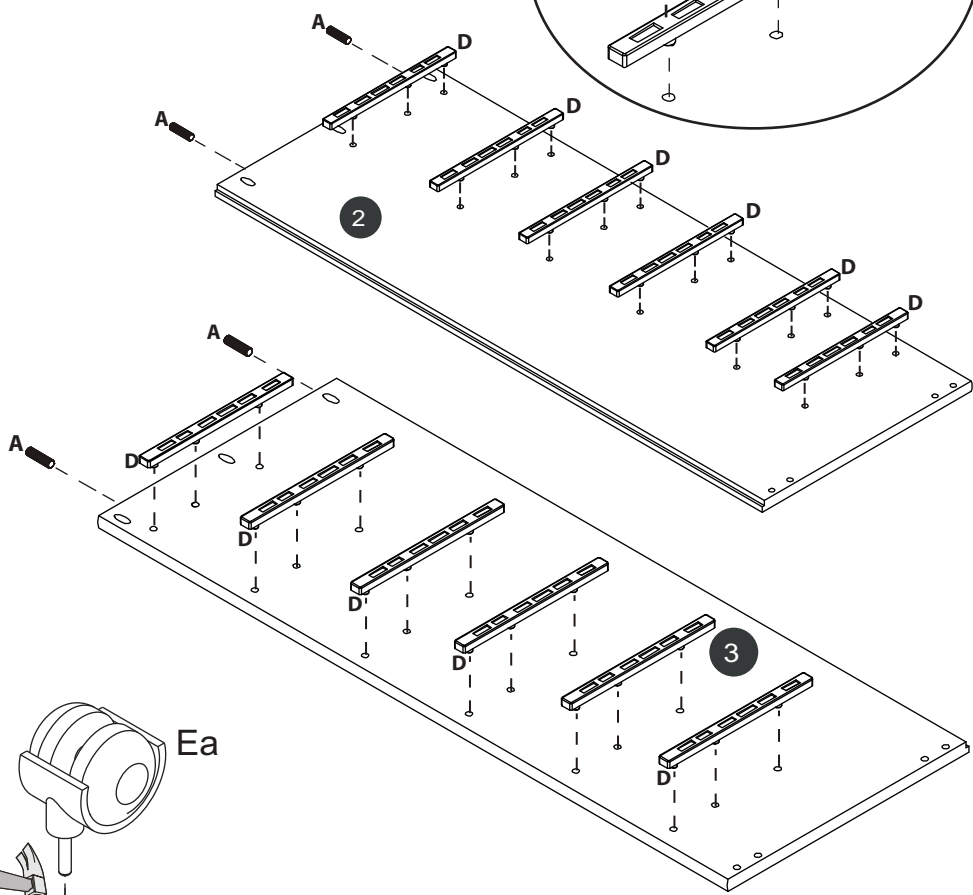
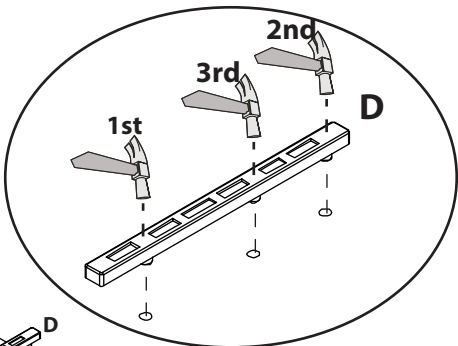
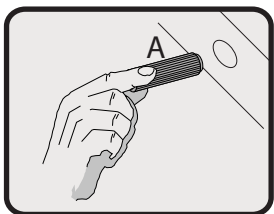

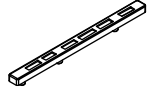




A		8.0 x 30mm	12
B		3.0 x 25mm	48
C		4.0 x 30mm	10
D			12
E			04
D		1.5 x 19mm	28

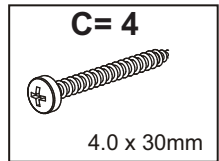
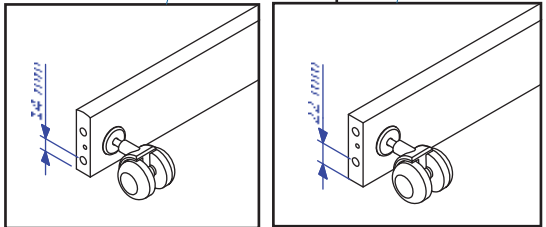
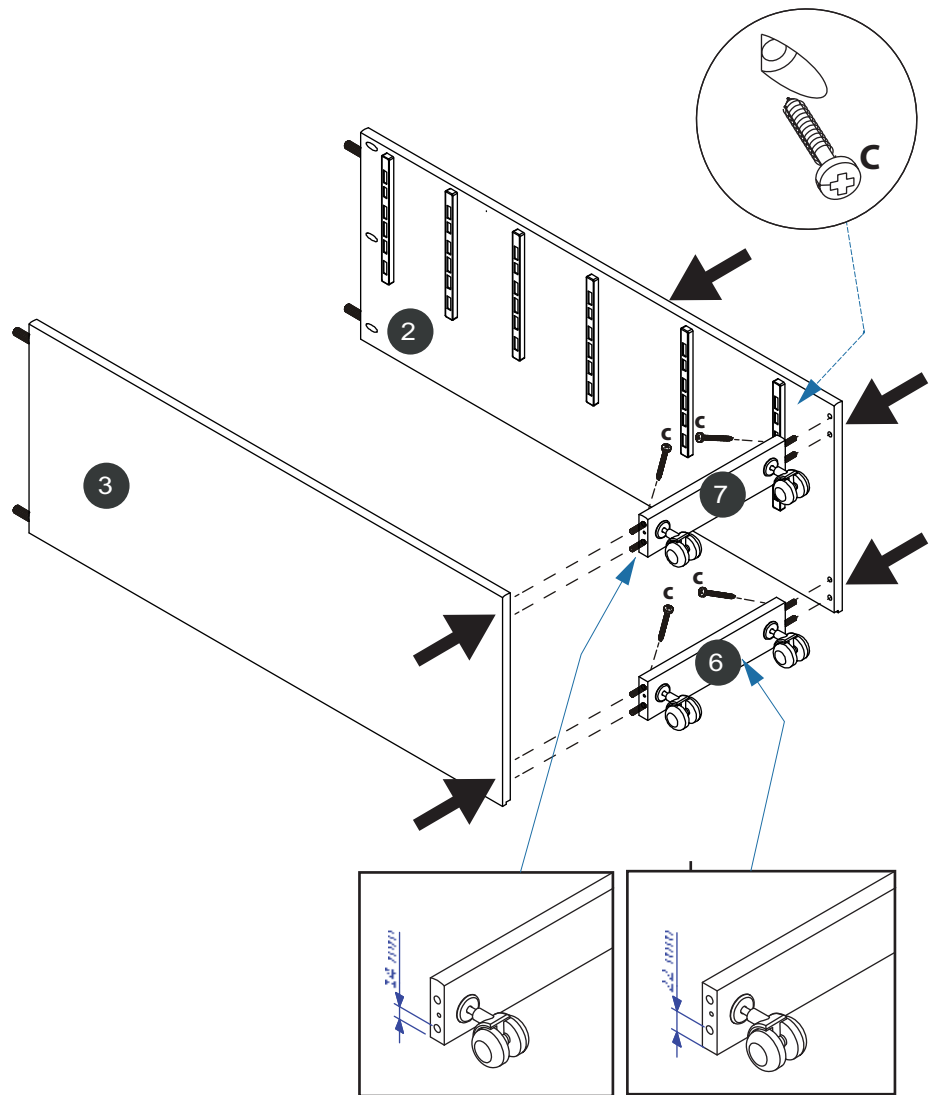


1

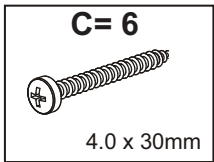
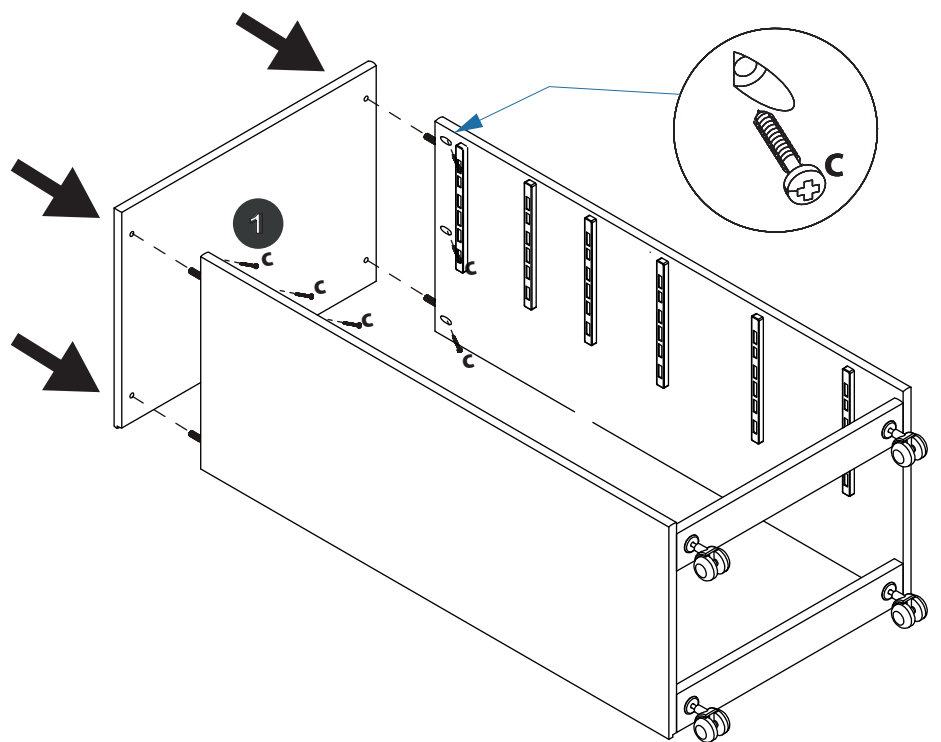


A=12  8,0 x 30mm	D=12 	Ea=04 Eb=04  
--	--	--

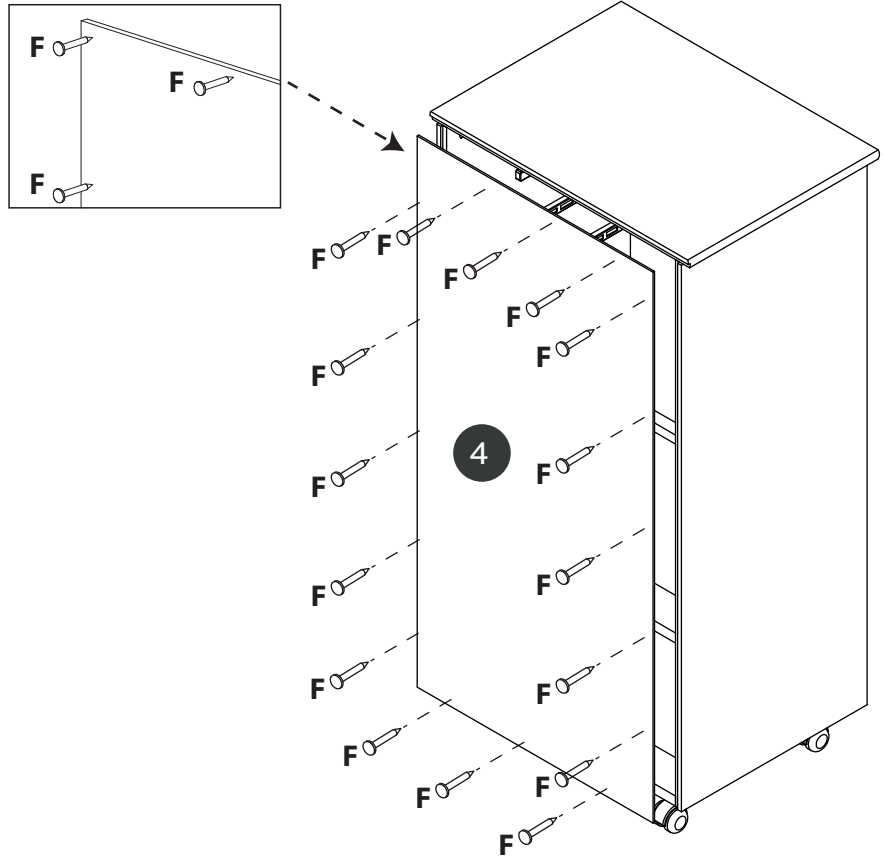
2



3

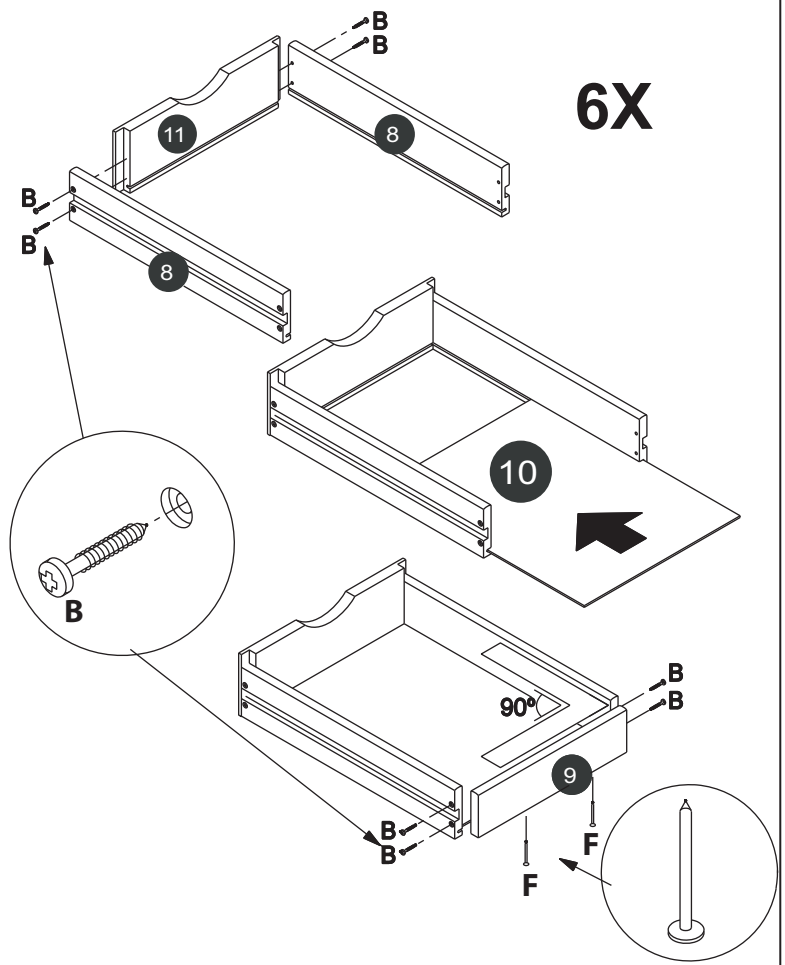


4



F=16

5



<p>B=48</p> <p>3,0 x 25mm</p>	<p>F=12</p>
--------------------------------------	--------------------

6

