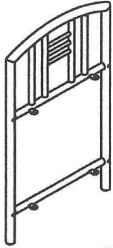
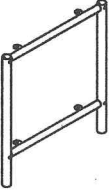

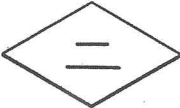






- (1)  1PCS
- (2)  1PCS
- (3)  4PCS
- (4)  2PCS

- A  M6*40 4PCS
- B  M6*12 4PCS
- C  8PCS
- D  4MM 1PCS

