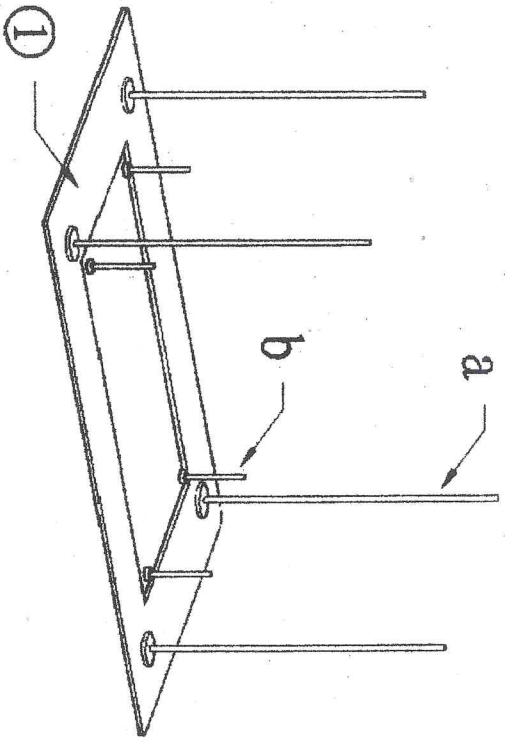
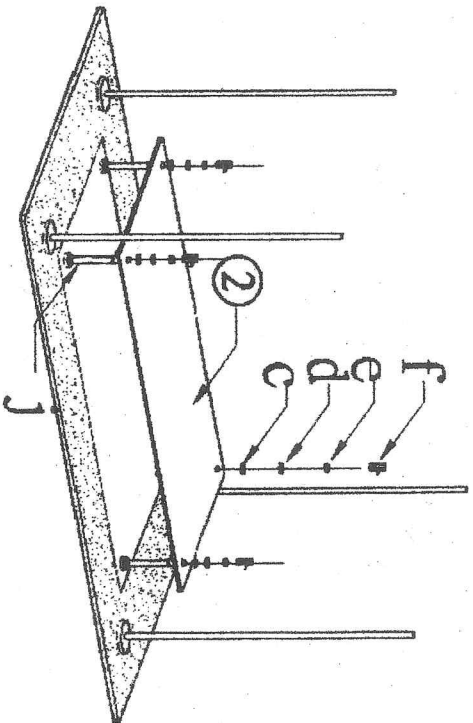


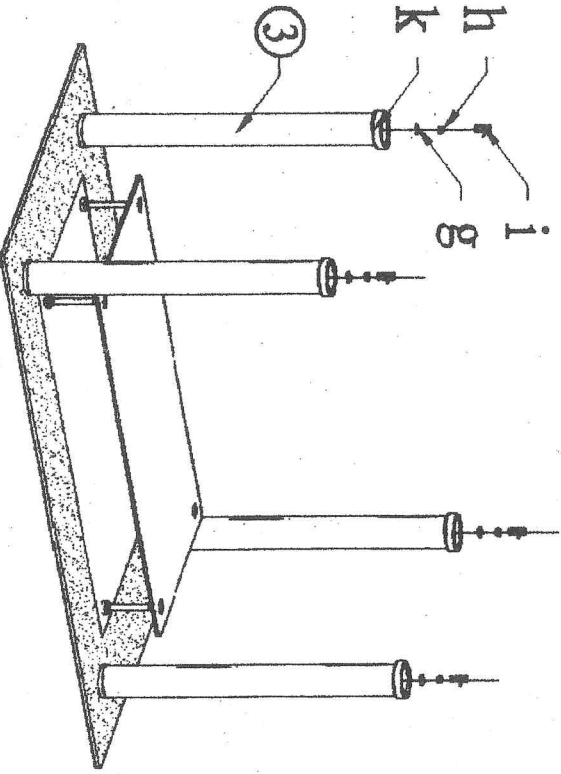
step 1



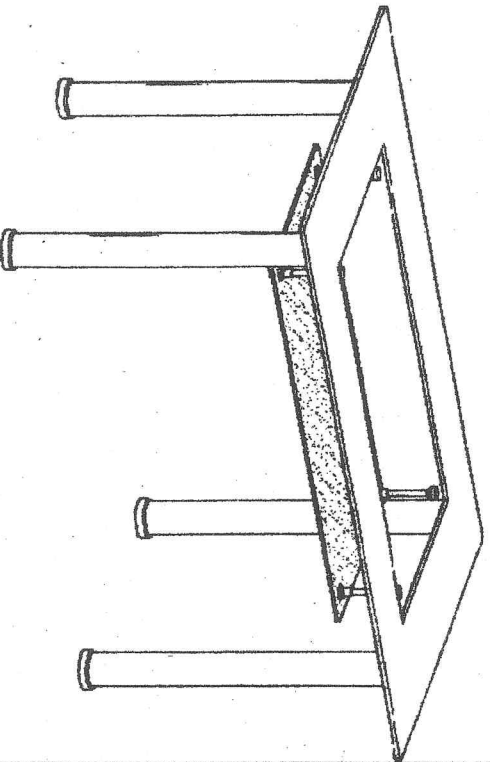
step 2



step 3



finish



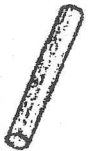
① x1



② x1



③ x4



a x4



b x4



c x4



M8 PLC

d x4



M8 MBT

e x4



M8

f x1



M8

g x4



M10 MBT

h x4



M10

i x1



M10

j x4



k x1



brava