

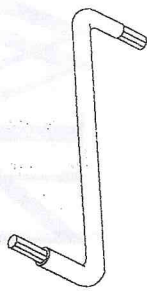
A X 8  
1/4x90



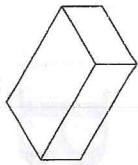
B X 08  
1/4



C X 01



G X 02



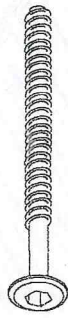
D X 16  
10x40



E X 24  
3,5x35

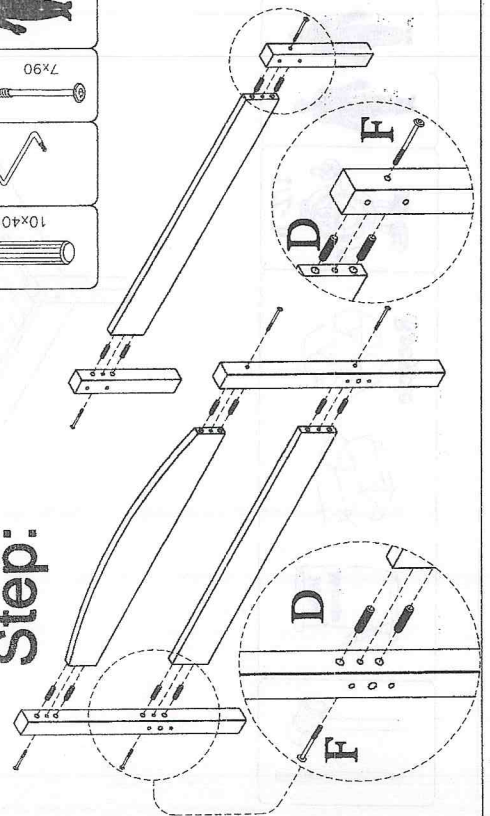
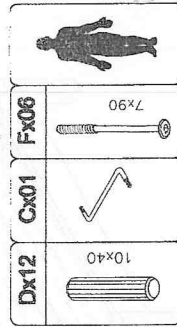


F X 6  
7x90

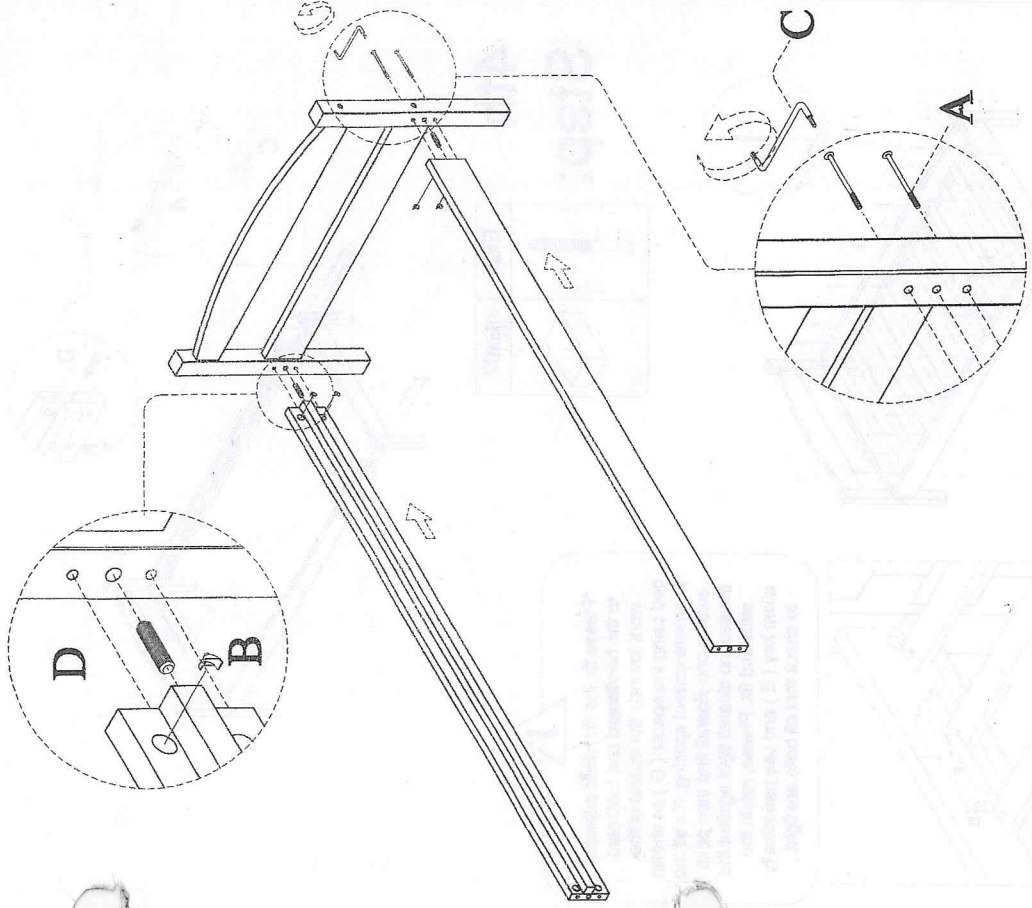
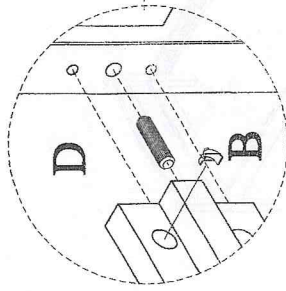
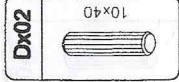


1st

Step:

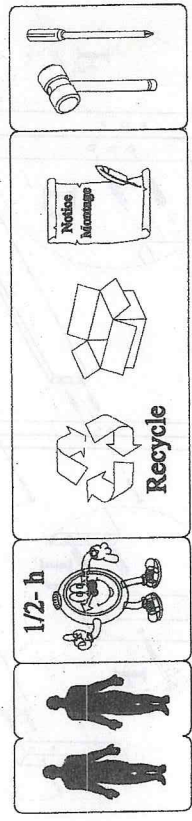
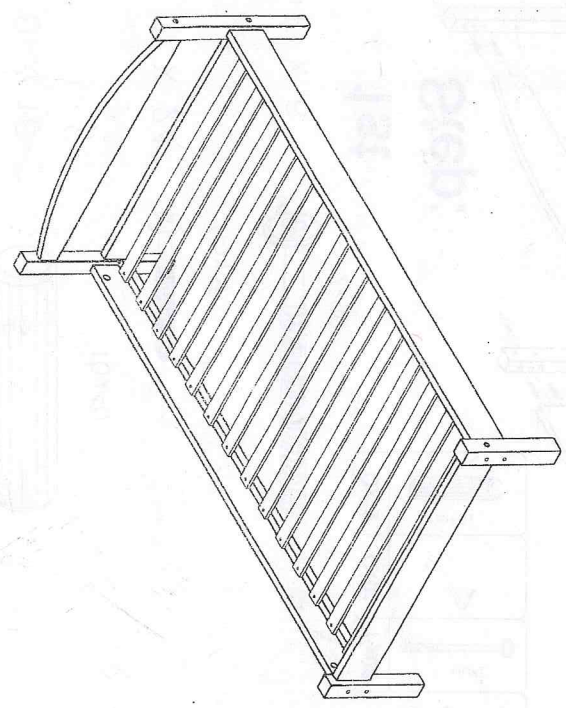


2nd  
Step:



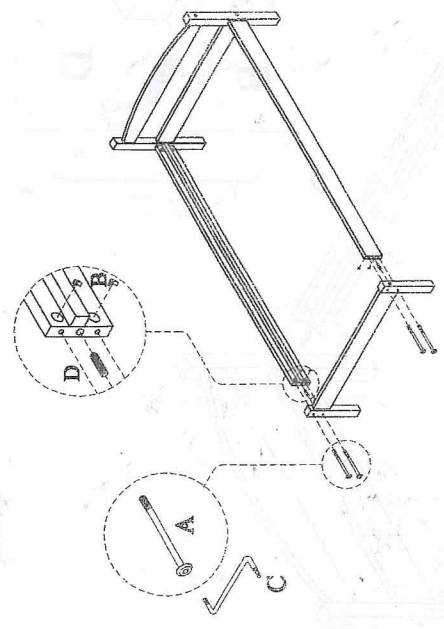
700/800

# BED PINE TWIN



## 3rd Step:

<b>Dx02</b>	<b>Cx01</b>	<b>Bx04</b>	<b>Ax04</b>	



## 4th Step:

<b>Ez24</b>	<b>Gx02</b>

⚠ Please fix the first slats adjacent to the headboard and footboard work towards the middle of the bed using the spacer (G) as shown to ensure correct spacing. Fix all the slats to one siderail first then push the second siderail tight against the slats and fix. Please, retain the allen key (E) and use periodically to check that all bolts are tight.

