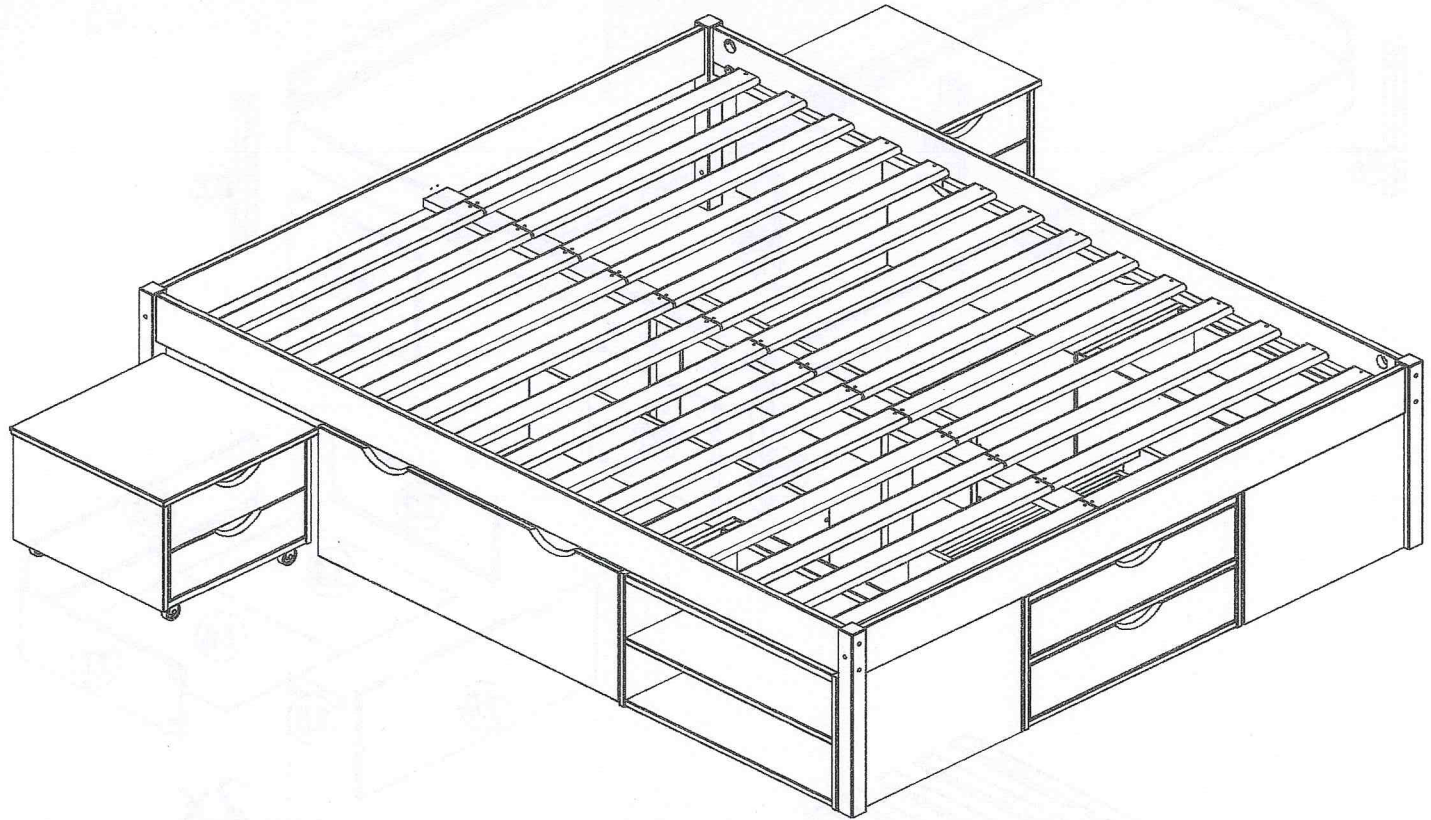





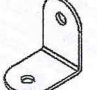


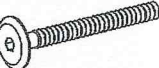





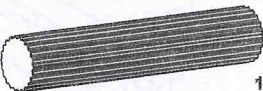

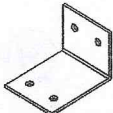
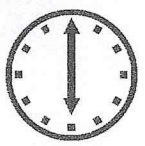


140 x 200
160 x 200
180 x 200

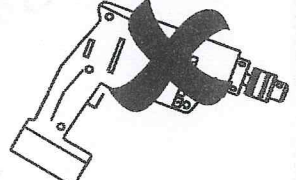
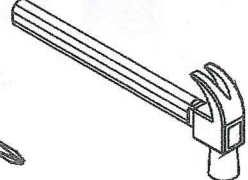
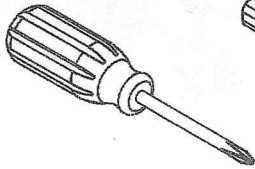
8802

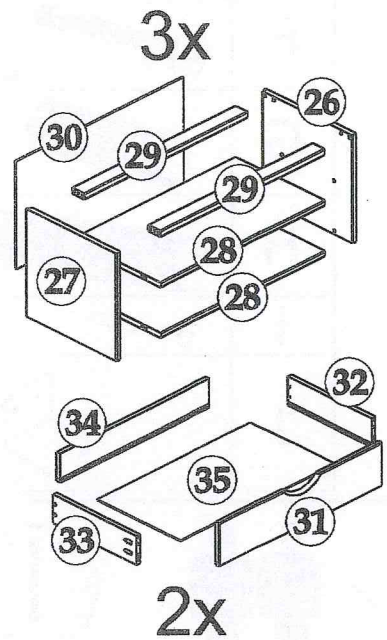
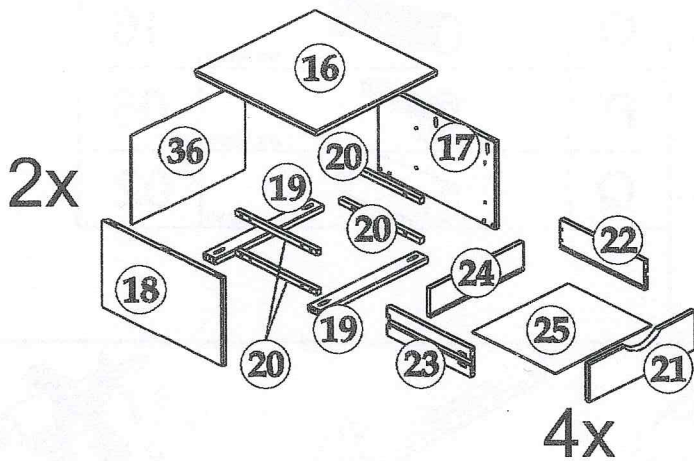
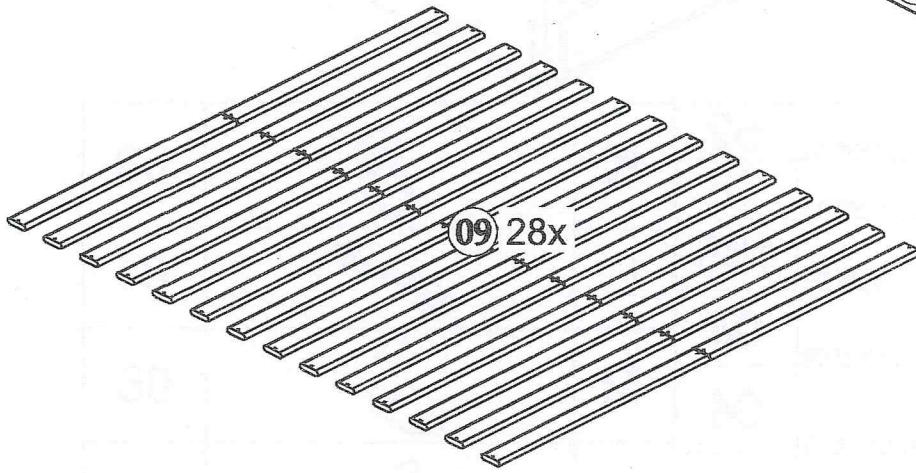
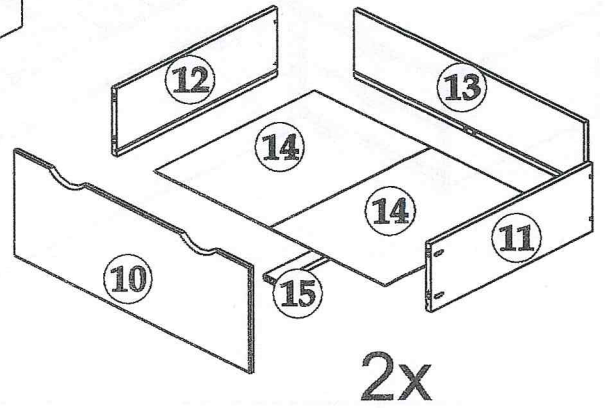
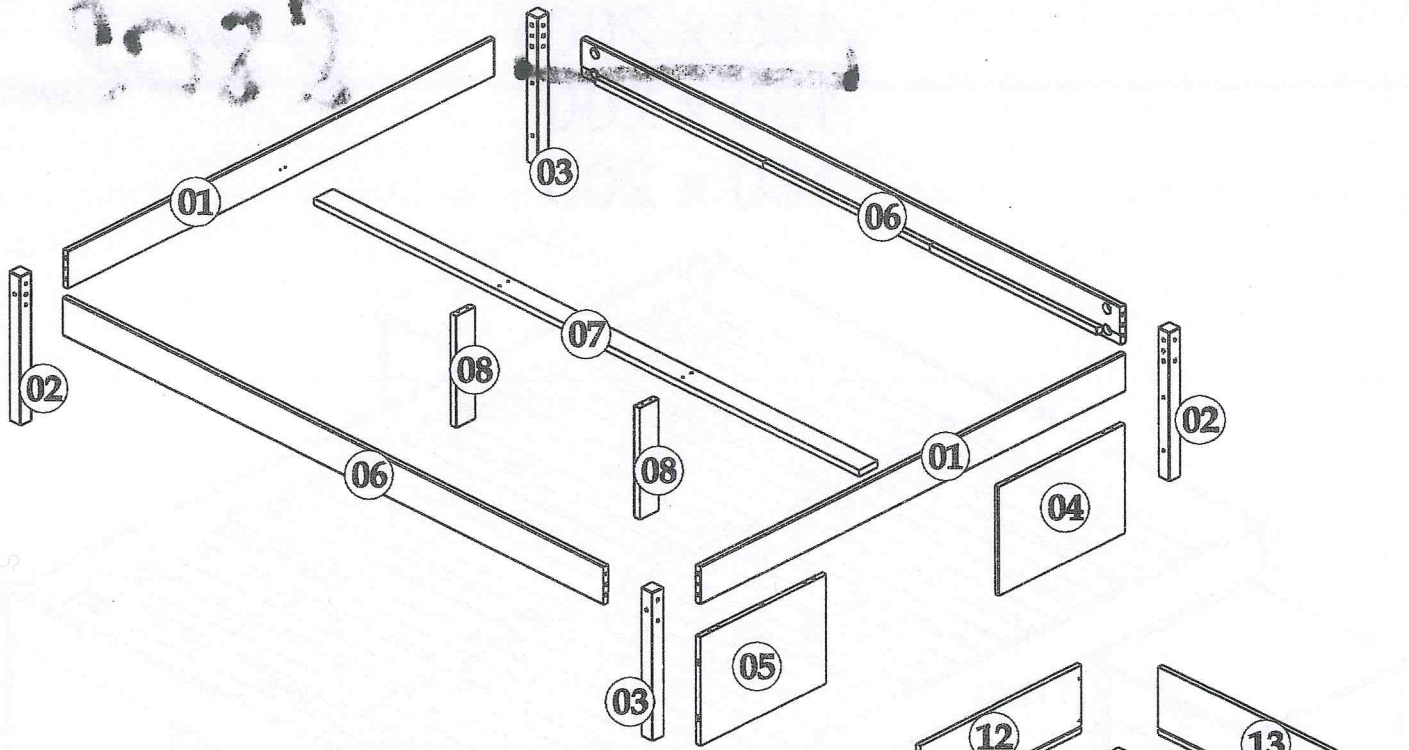


A		3,5x16 mm	52	K		08
B		4,0x25 mm	16	L		01
C		4,0x30 mm	188	M		06
D		4,0x45 mm	04	N		16
E		7,0x80 mm (cab.17)	04	O		16
F		1/4"x90 mm (cab.17)	08	P		06
G		8 x 30mm	126	Q		02
H		10 x 40mm	12			
I		8 x 8mm	56			
J			02			

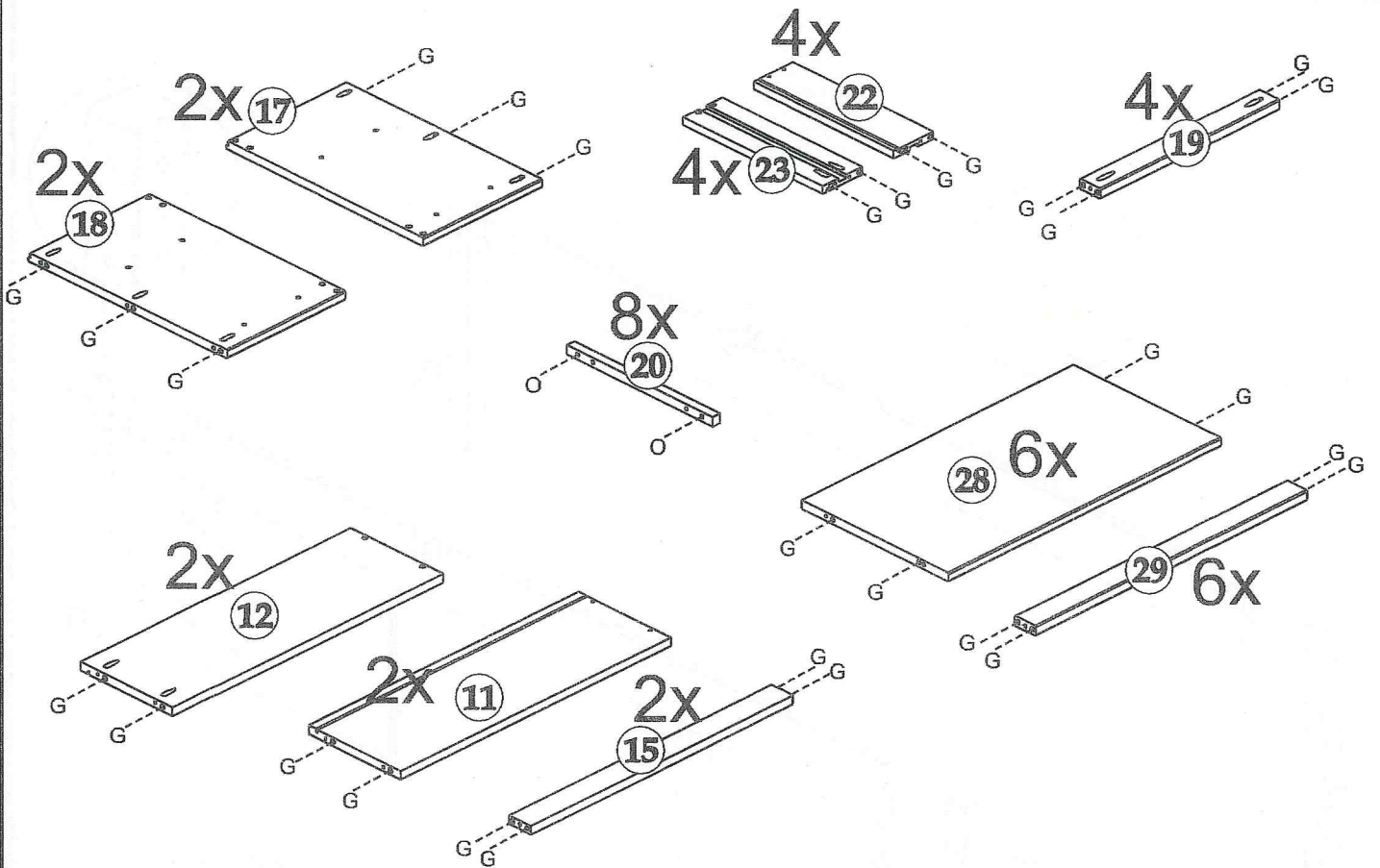
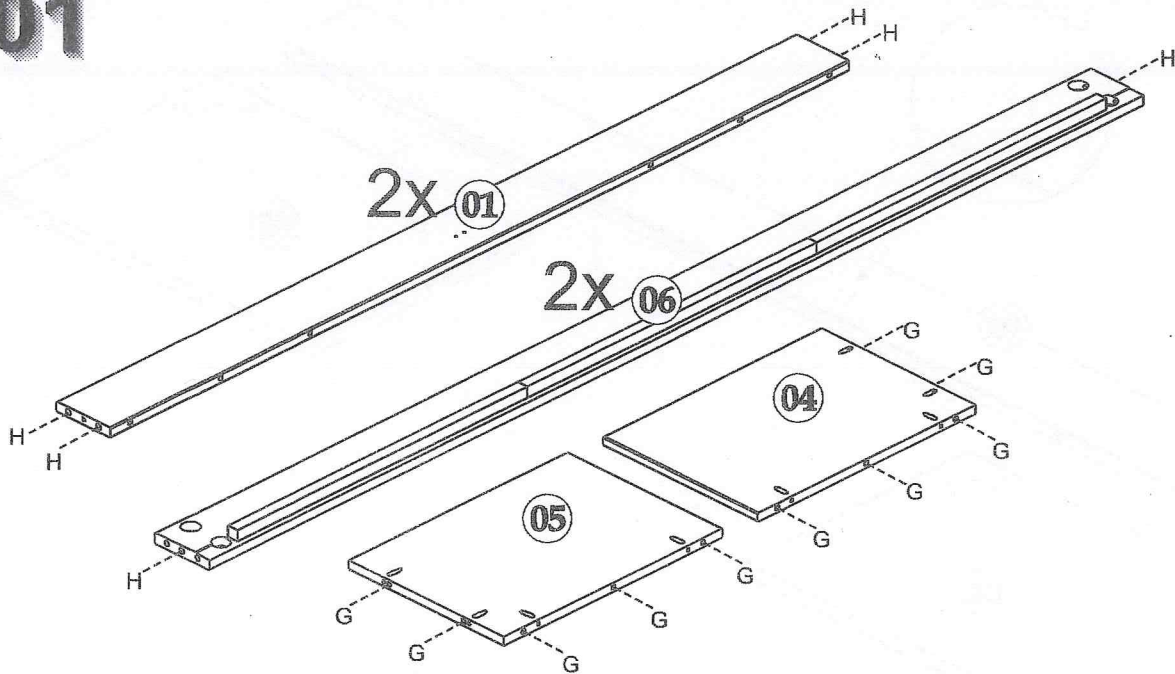



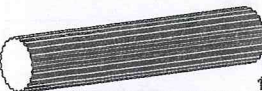

02:55 Hour

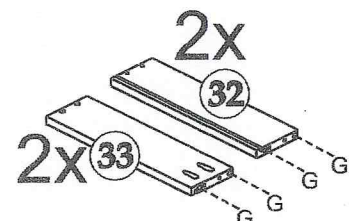




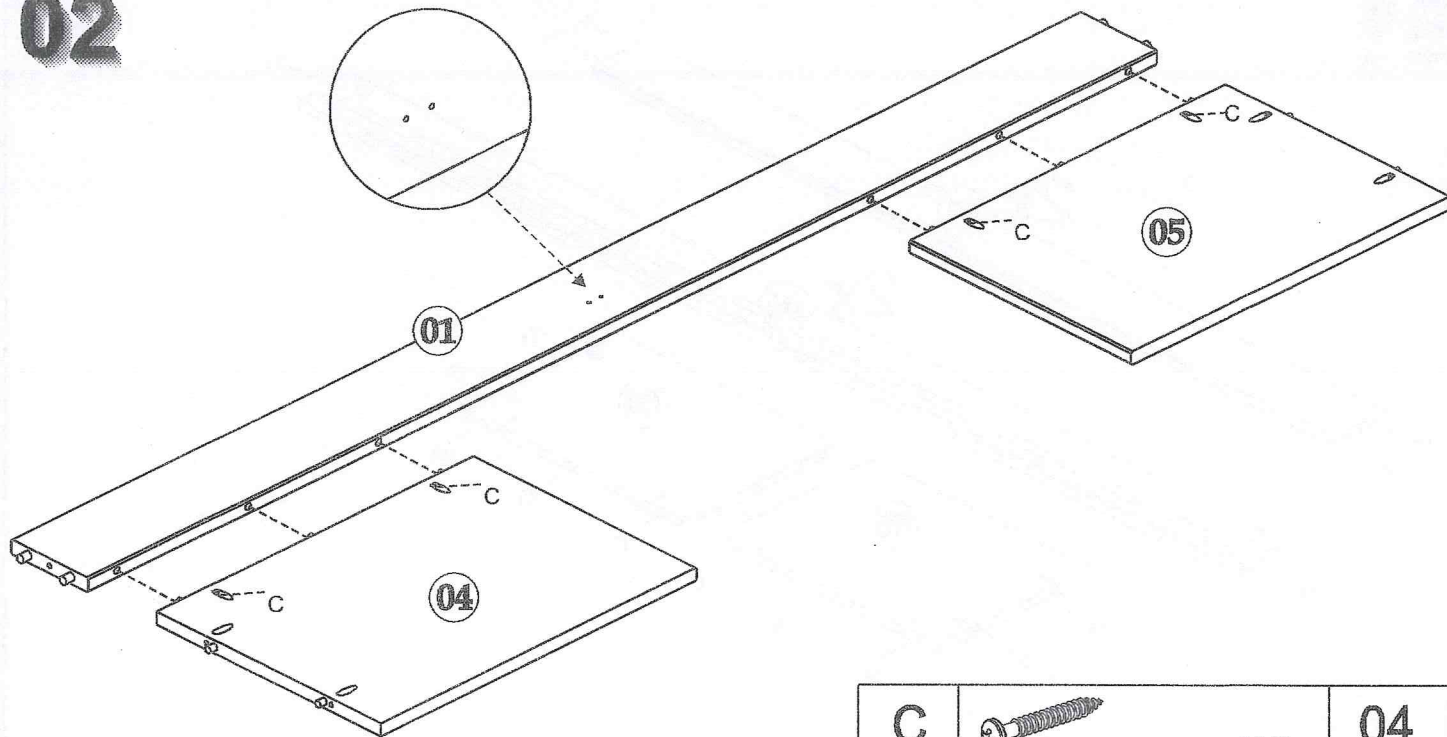
01




G	 8 x 30mm	126
H	 10 x 40mm	12
O	 6 x 20mm	16

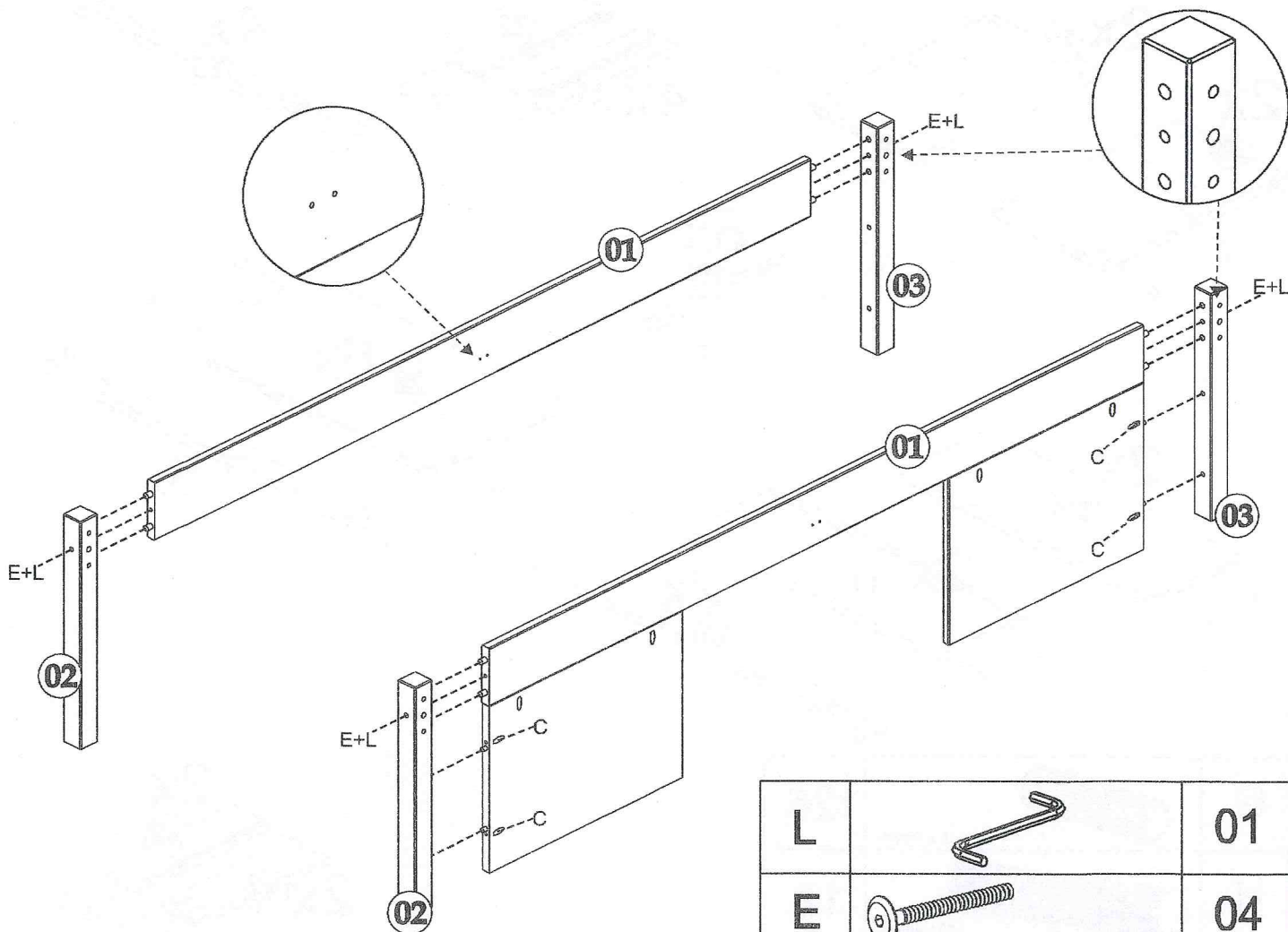


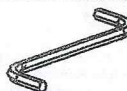
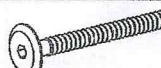
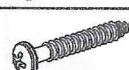
02



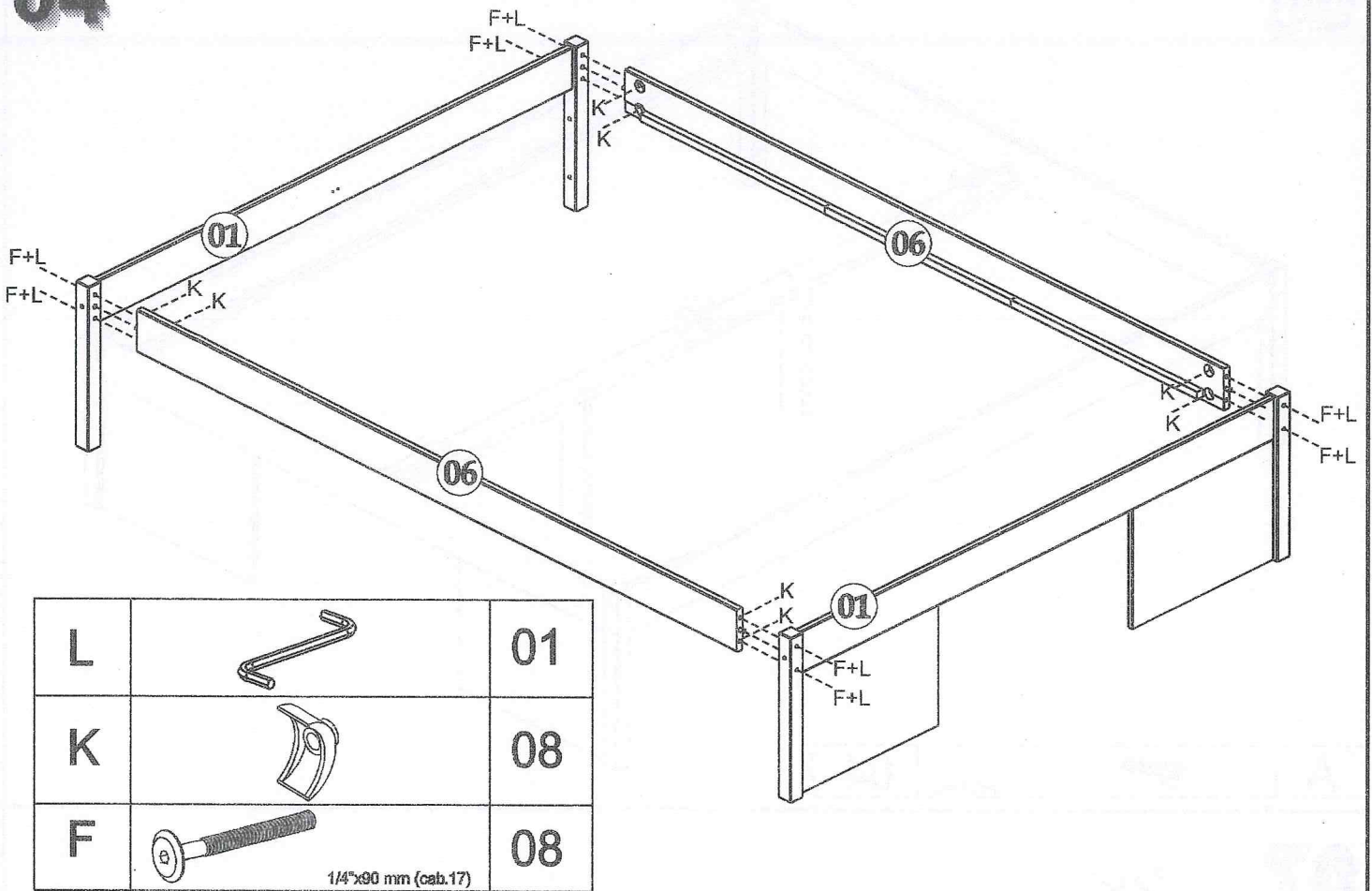
C		4,0x30 mm	04
---	---	-----------	----

03

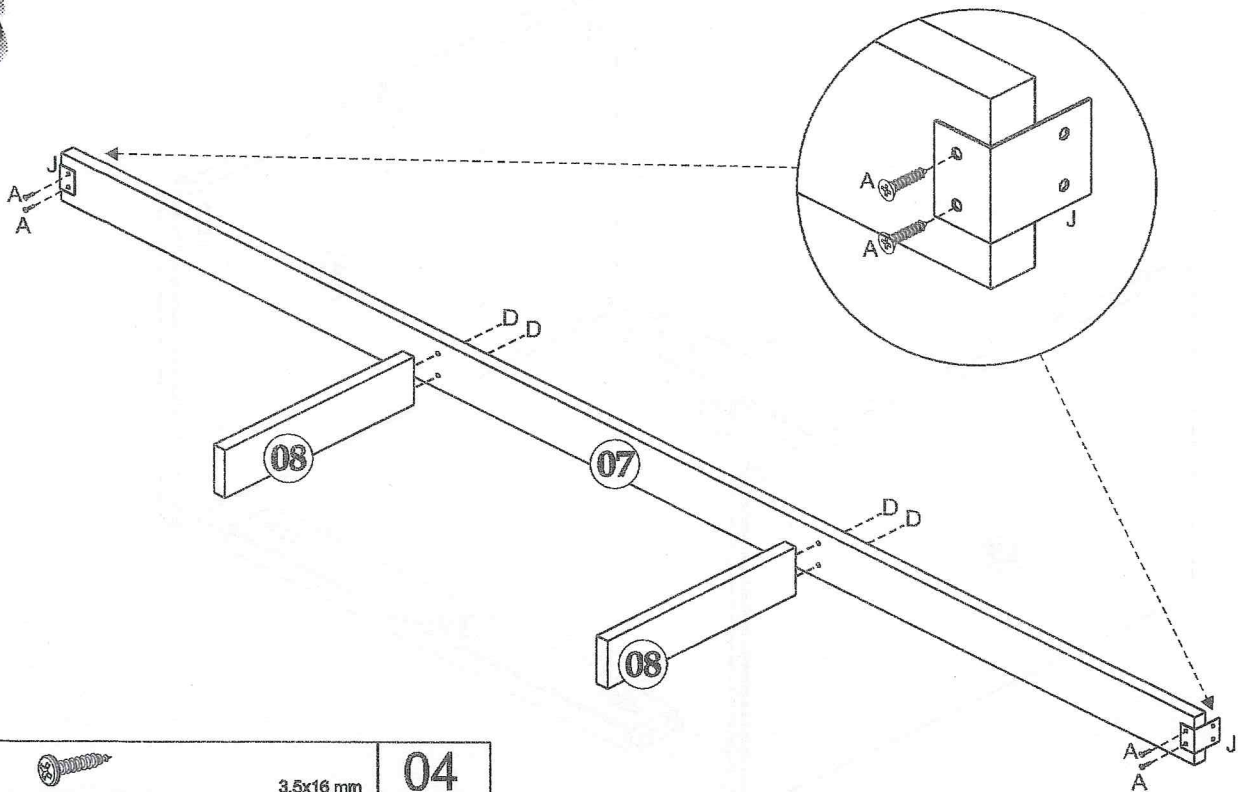


L			01
E		7,0x80 mm (cab.17)	04
C		4,0x30 mm	04

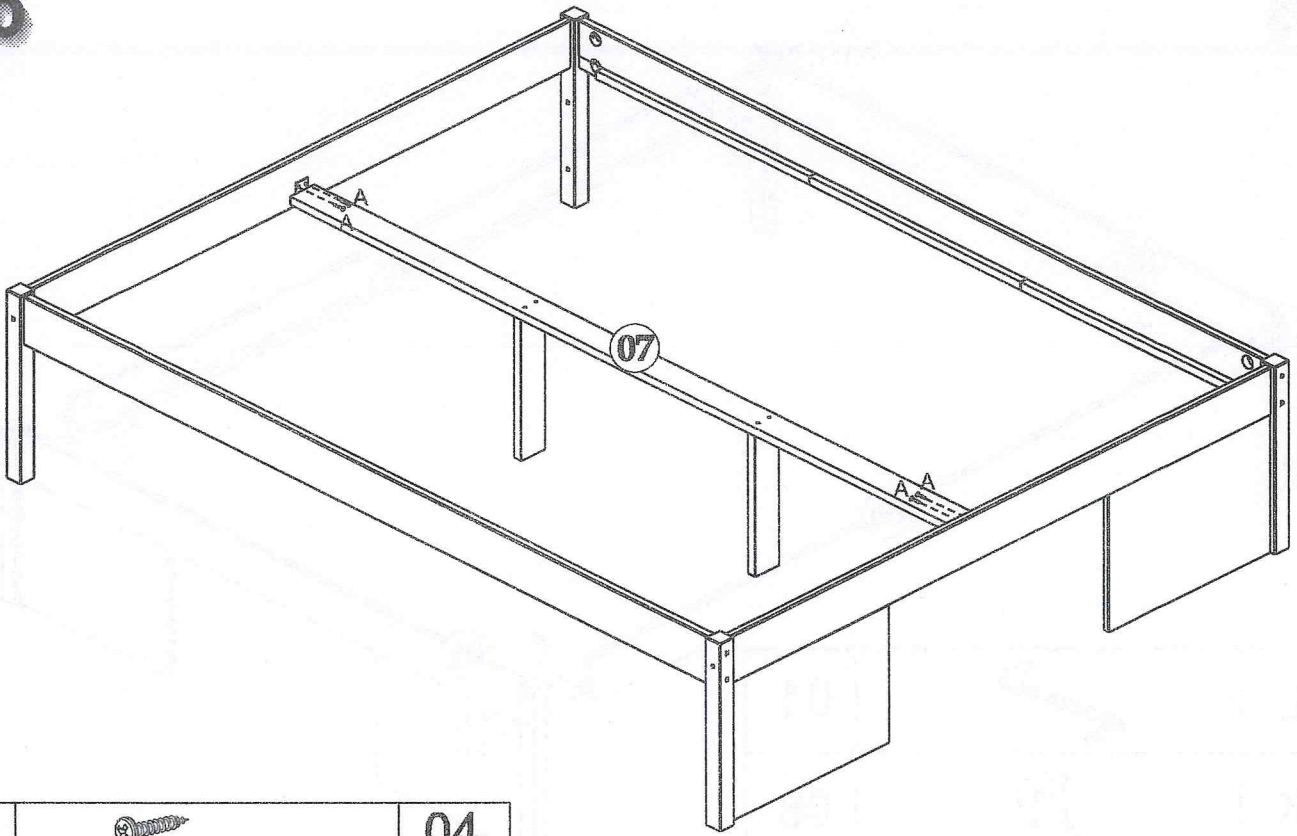
04



05



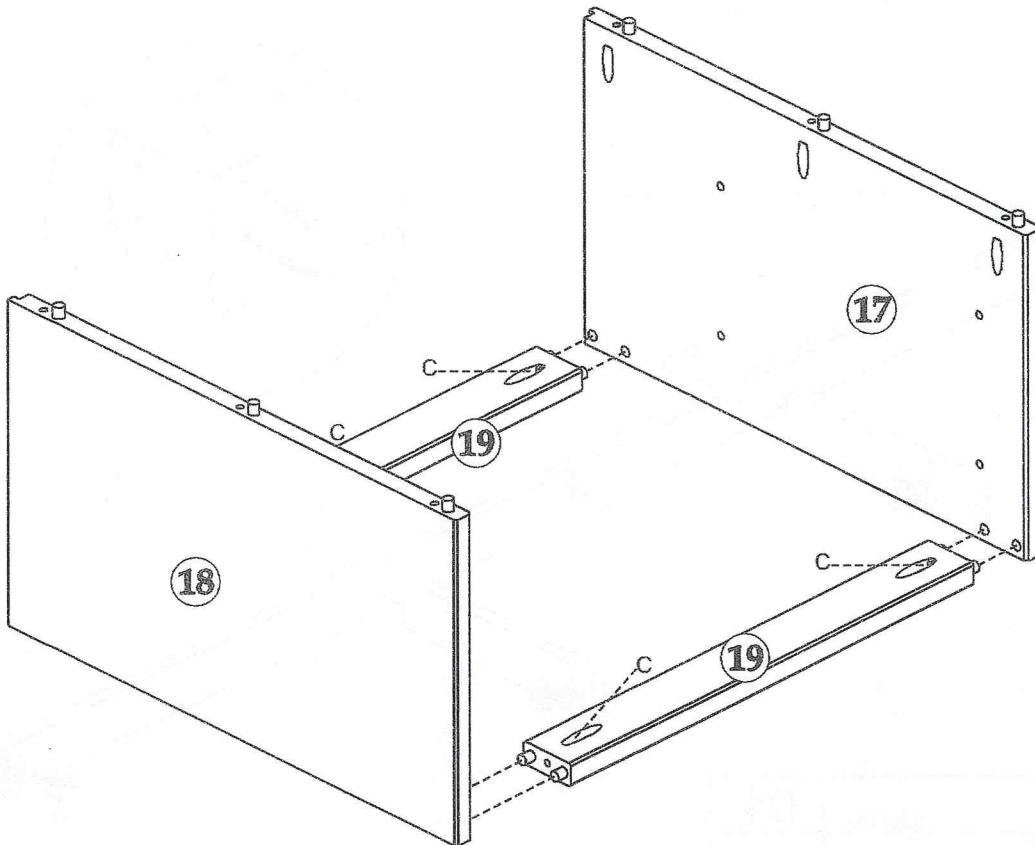
06




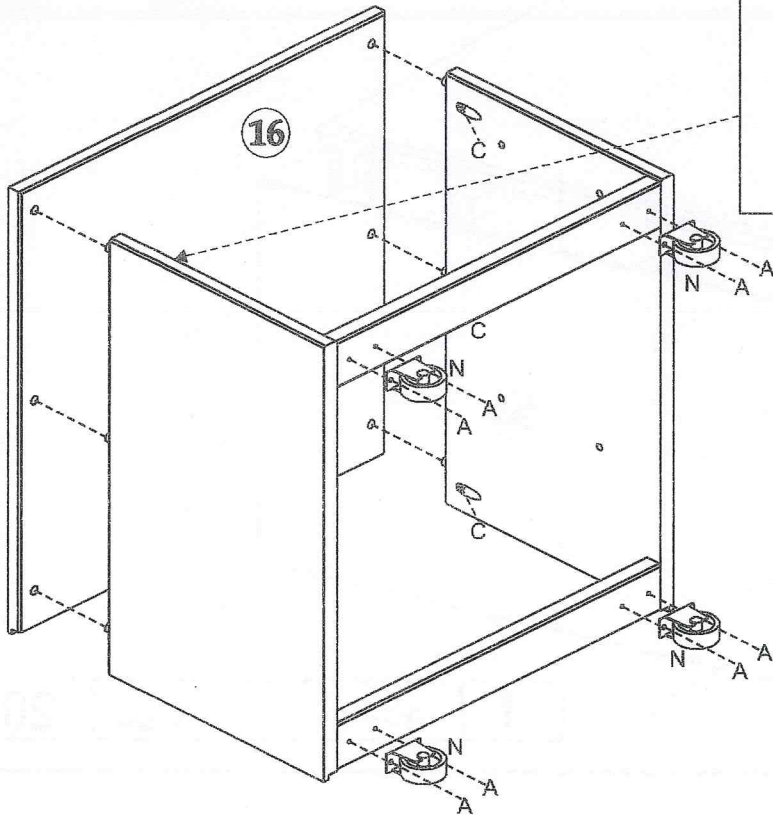
A		3,5x18 mm 04
---	---	--------------

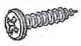
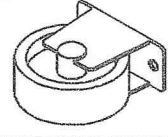

07

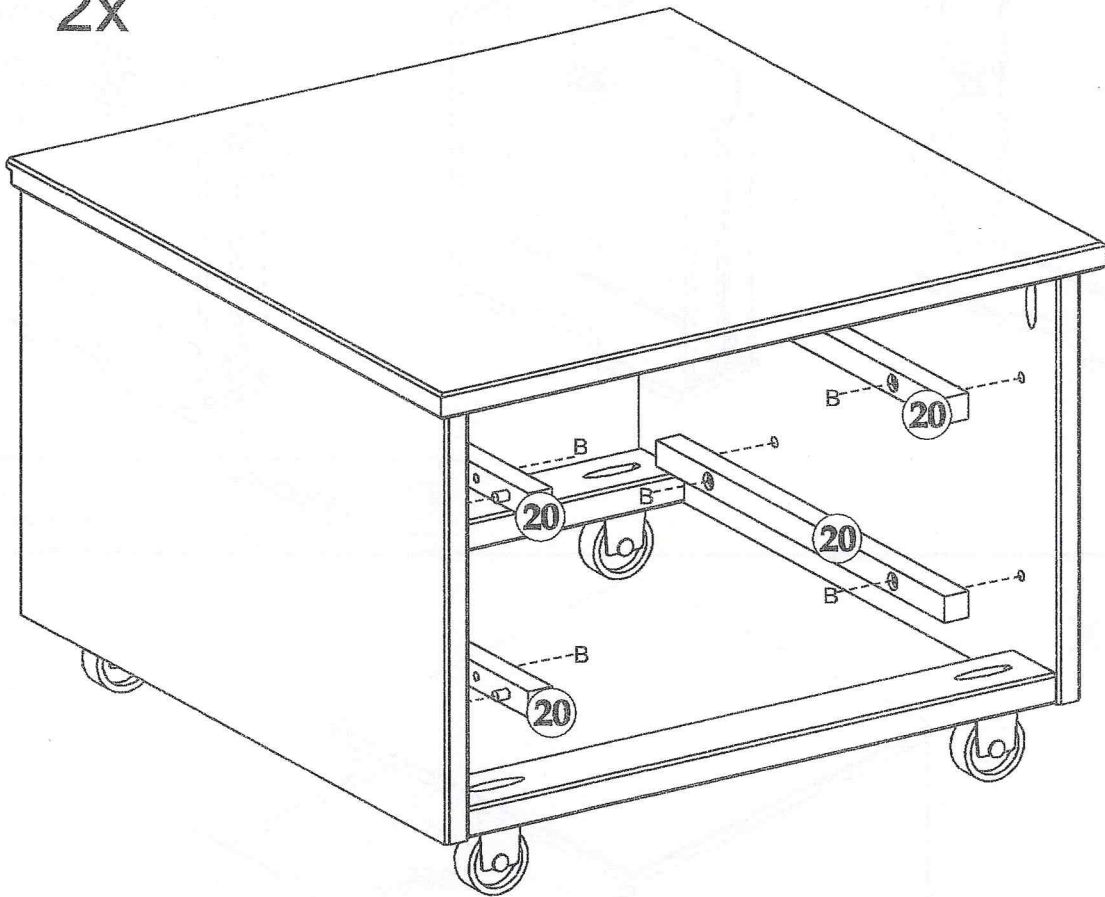
2x



C		4,0x30 mm 08
---	---	--------------

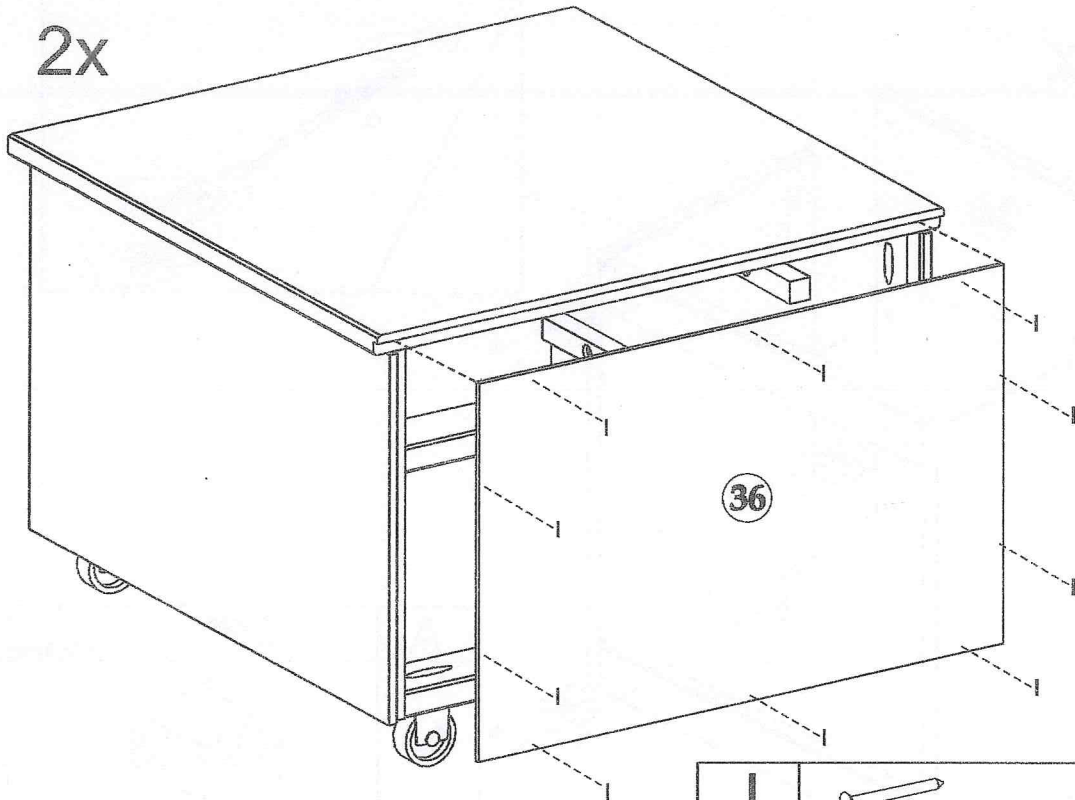
08**2x**

A		3,5x16 mm	16
N			08
C		4,0x30 mm	12

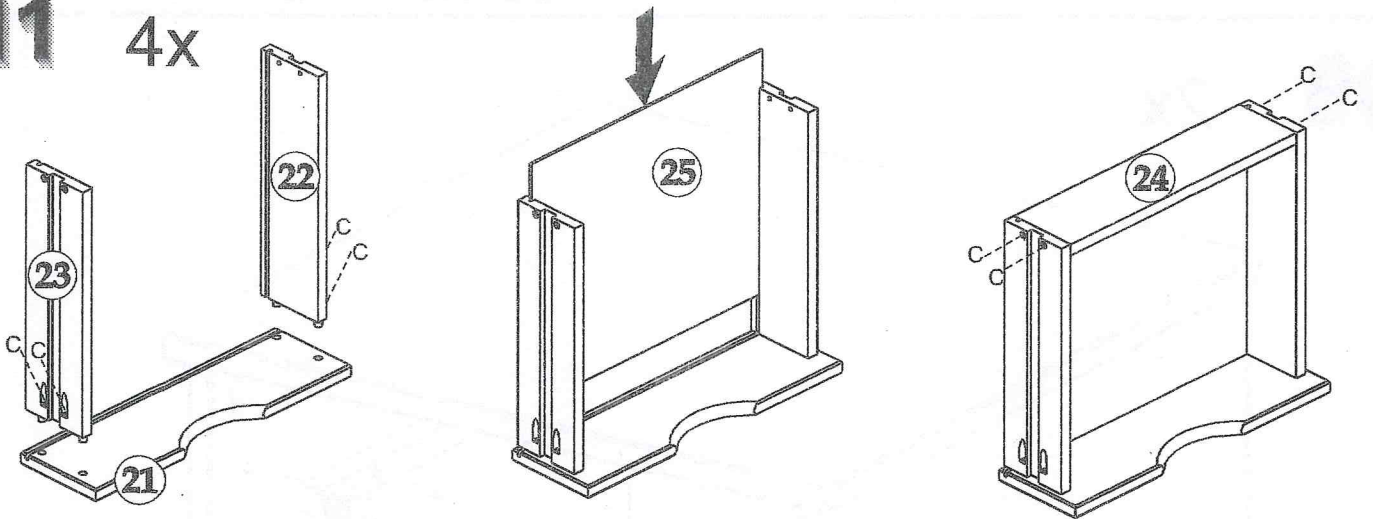
09**2x**

B		4,0x25 mm	16
---	---	-----------	----

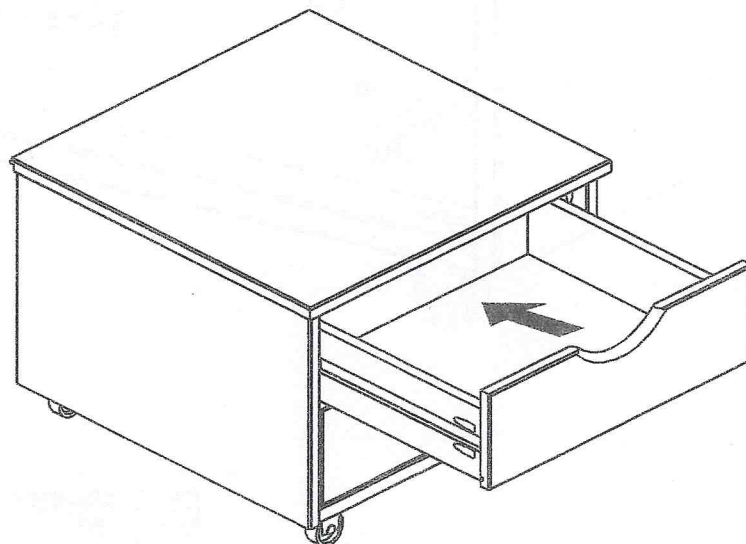
10 2x



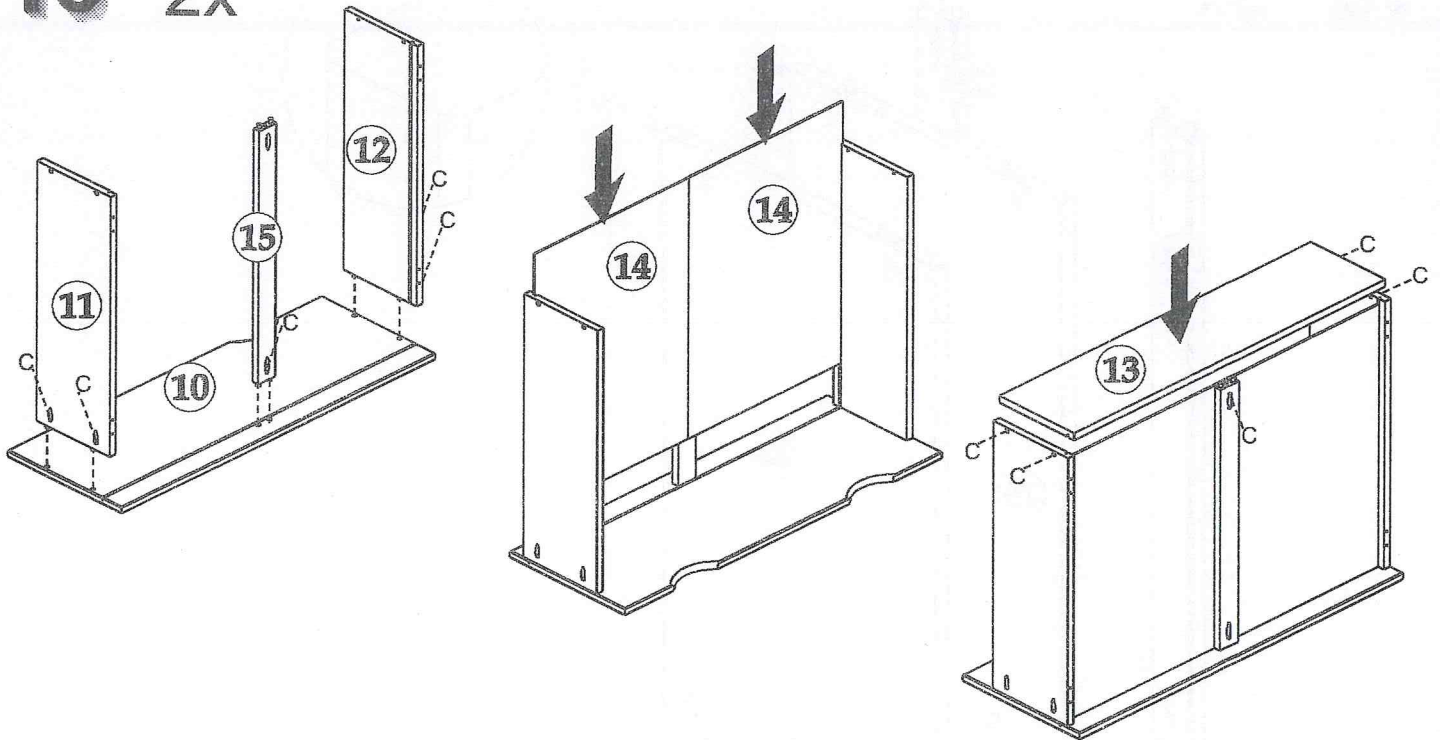
11 4x



12 2x

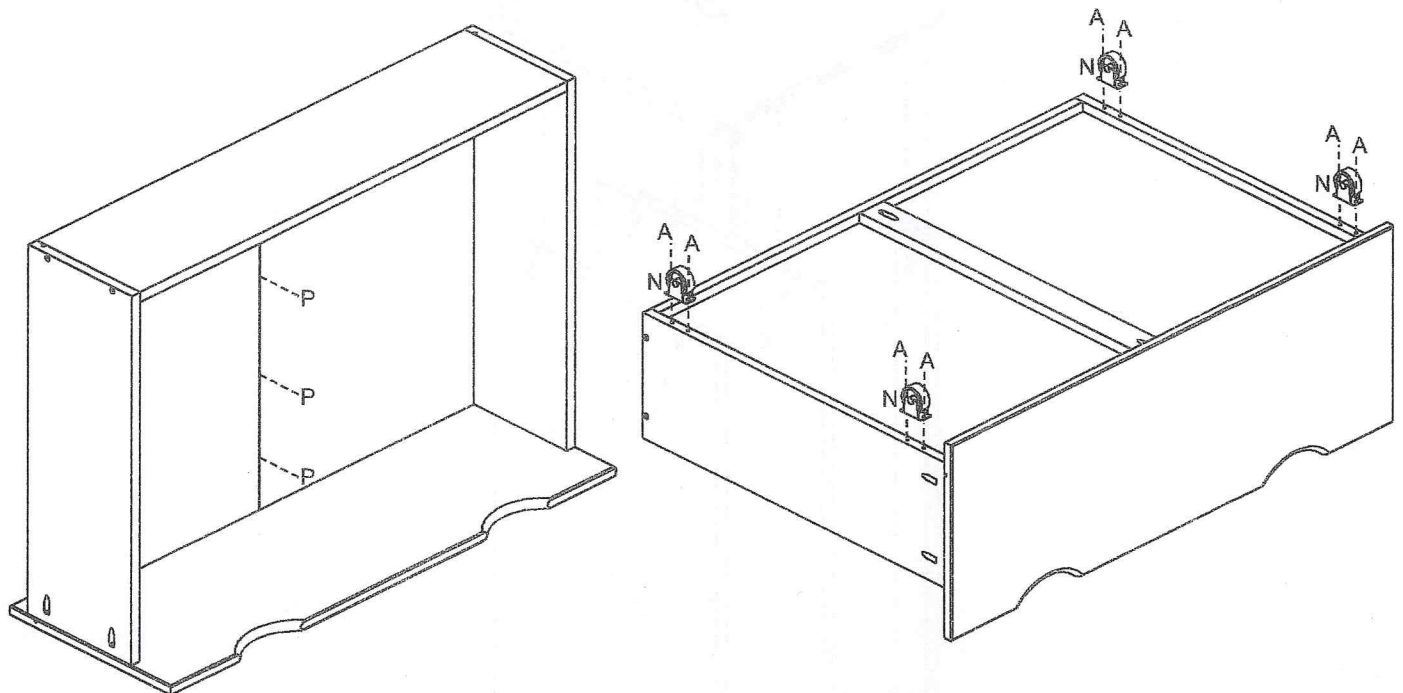



13 2x





C		4,0x30 mm	20
---	---	-----------	----

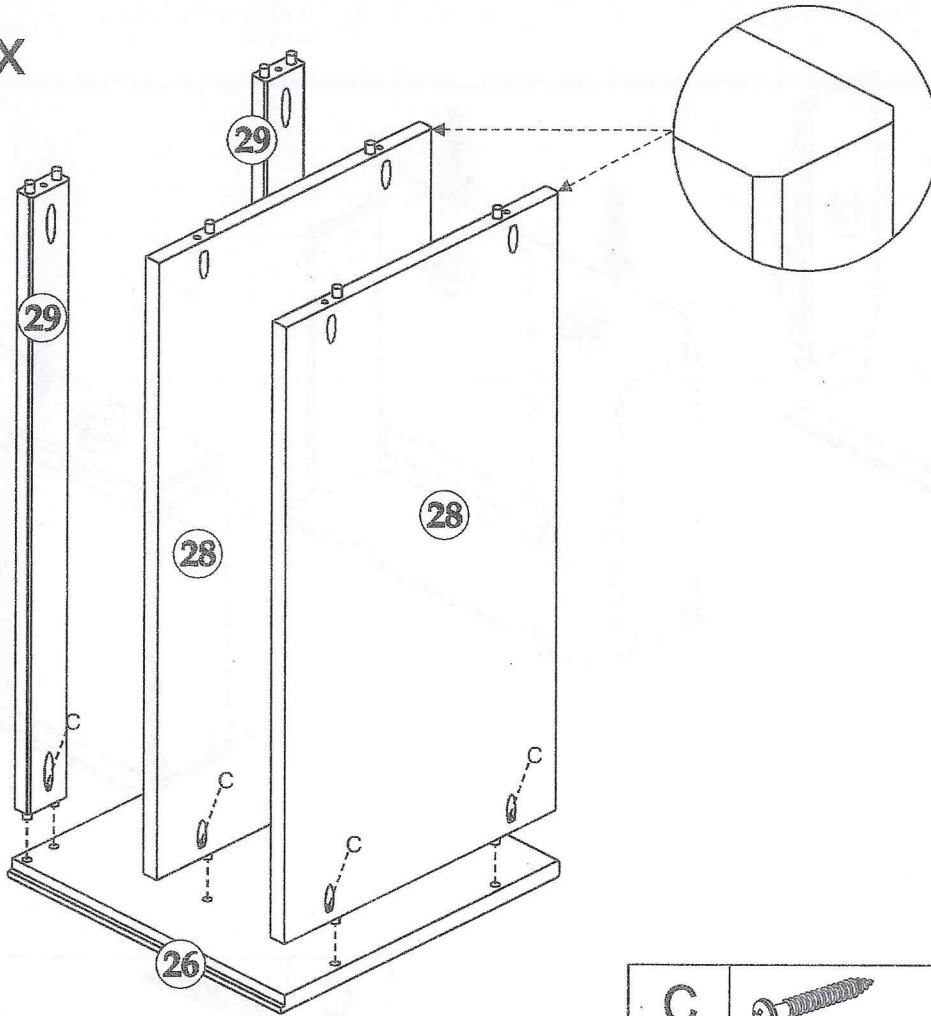
14 2x



P		3 x 14mm	06
---	---	----------	----

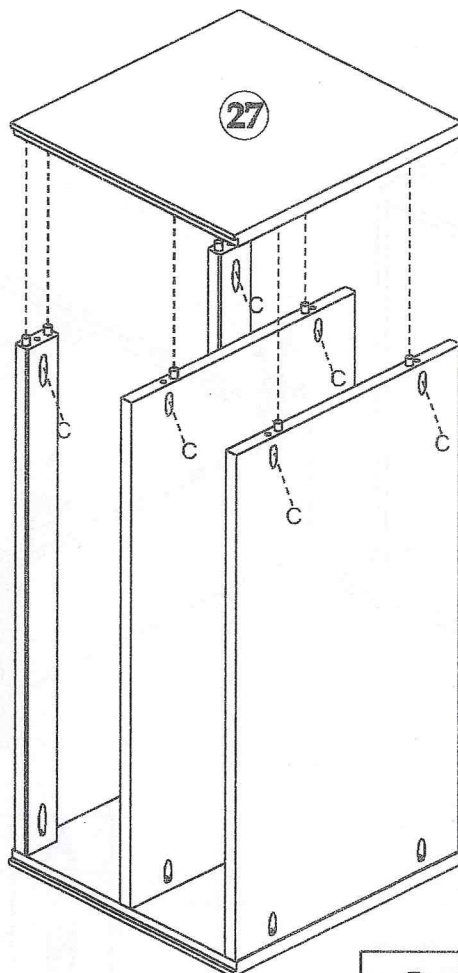
A		3,5x16 mm	16
N			08

15 3x



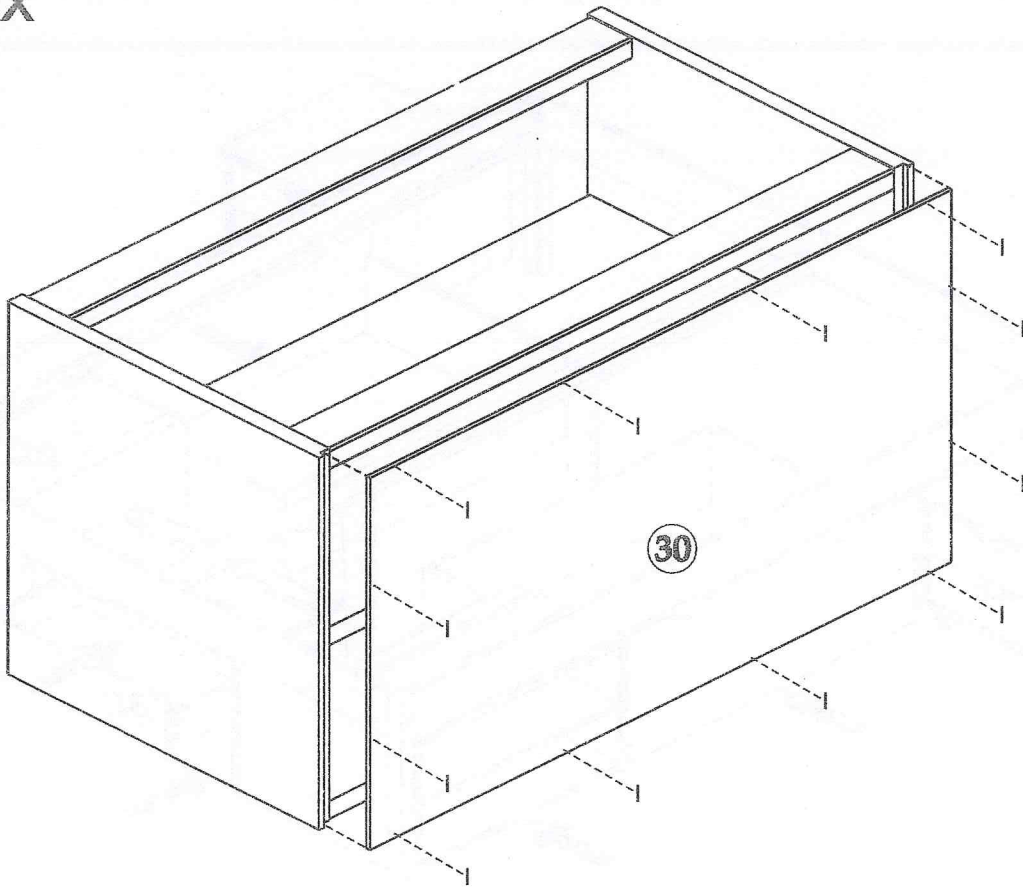
C		4,0x30 mm	18
---	---	-----------	----

16 3x



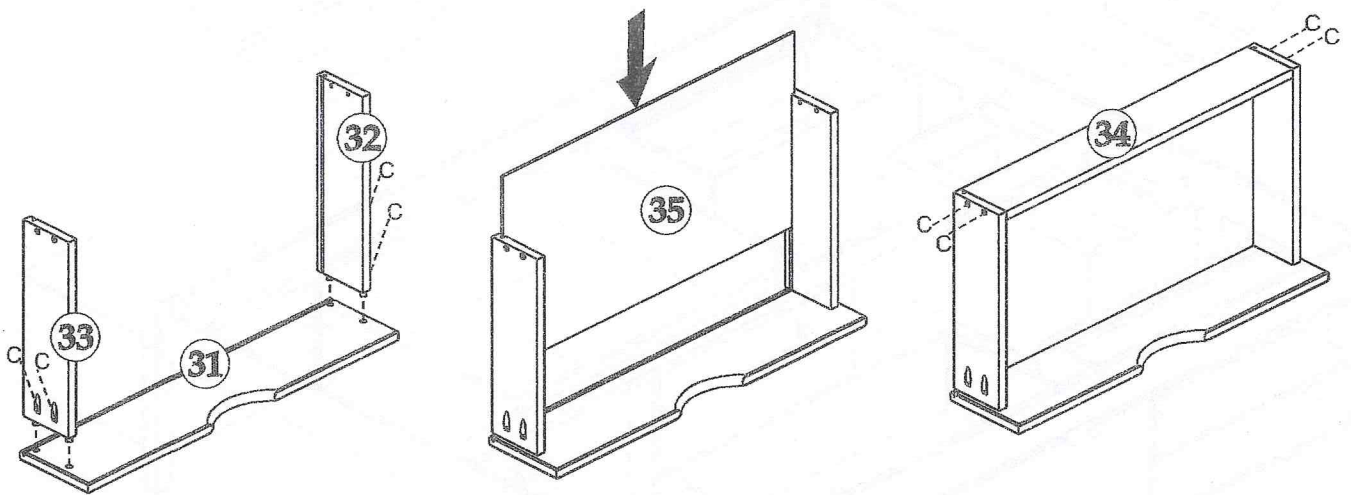
C		4,0x30 mm	18
---	---	-----------	----

17 3x



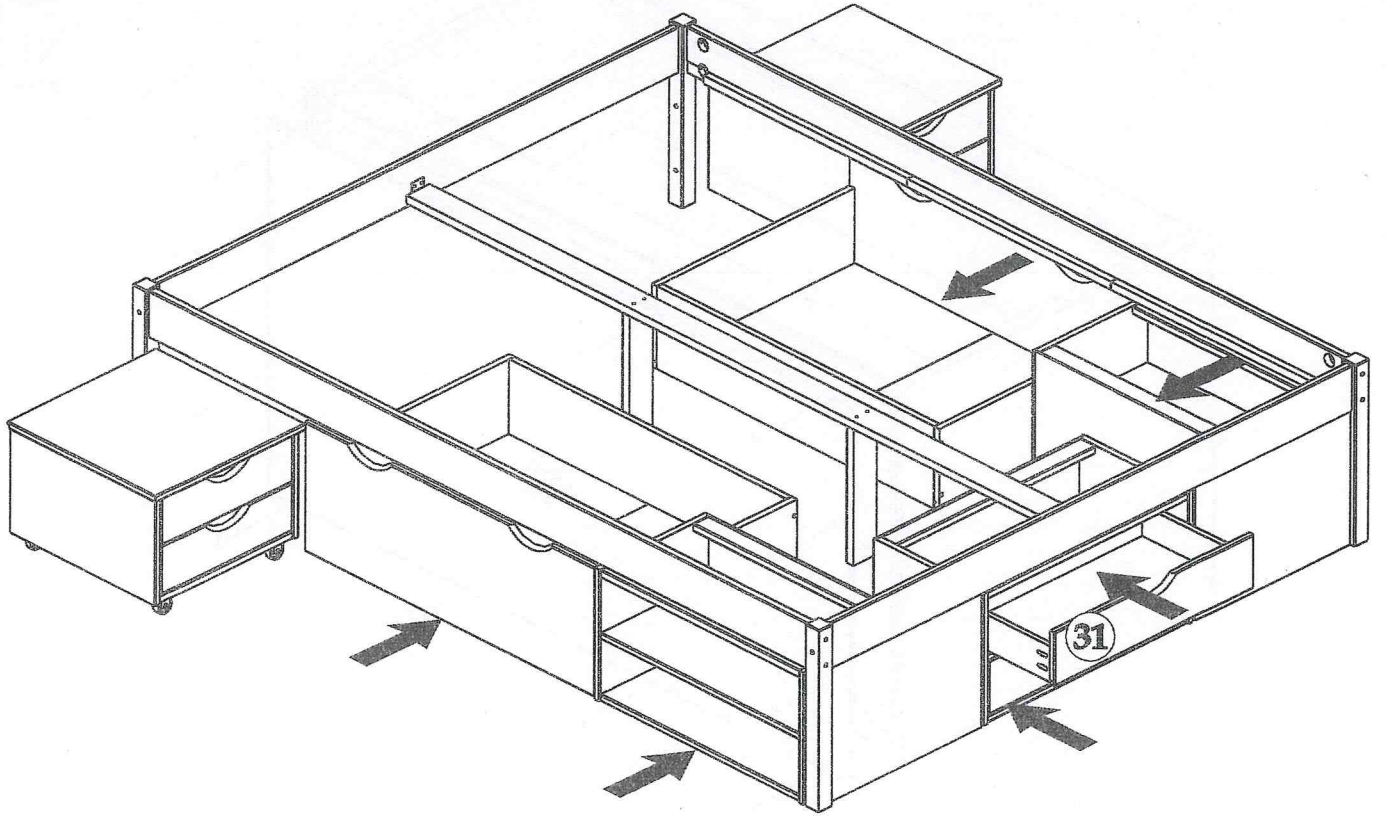
I		8 x 8mm	36
---	---	---------	-----------

18 2x

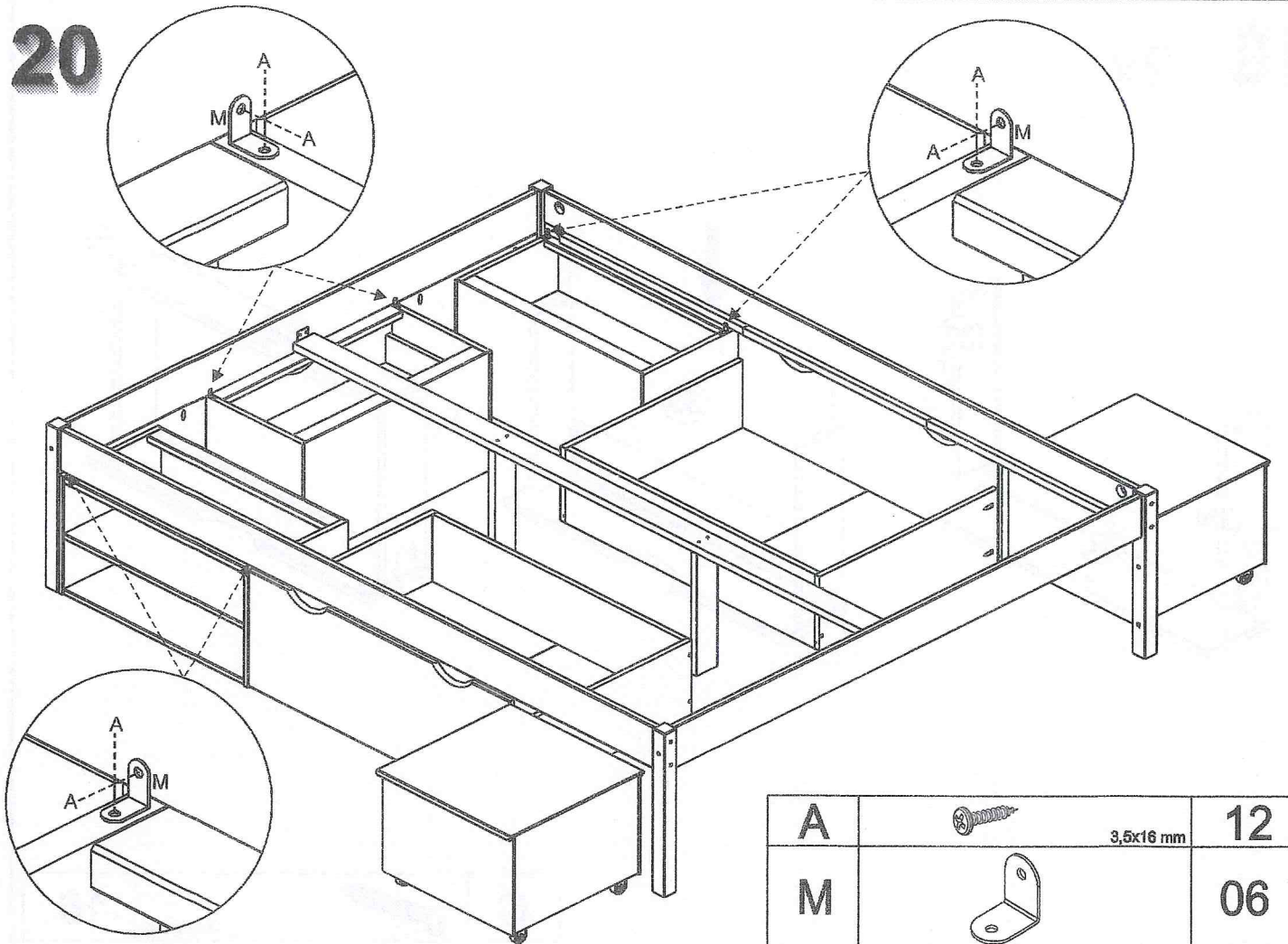




C		4,0x30 mm	16
---	---	-----------	-----------

19

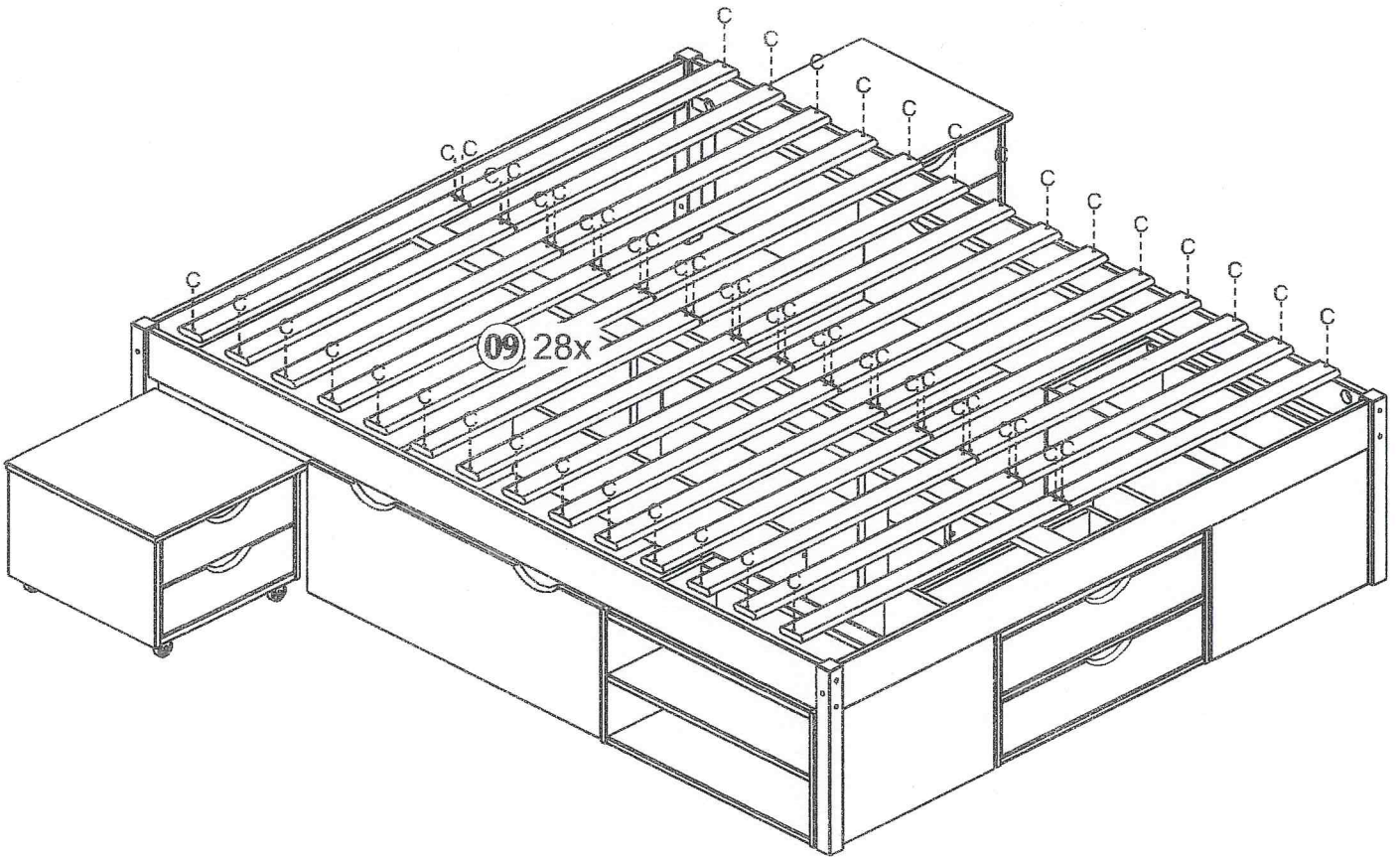
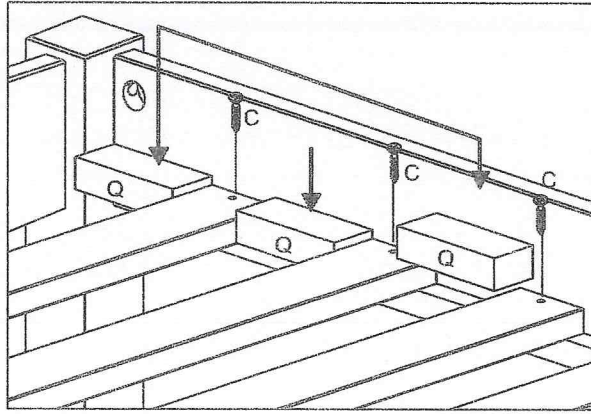




20



A		3,5x16 mm	12
M			06

21



Q		02
C	 4,0x30 mm	56

