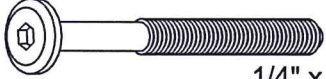




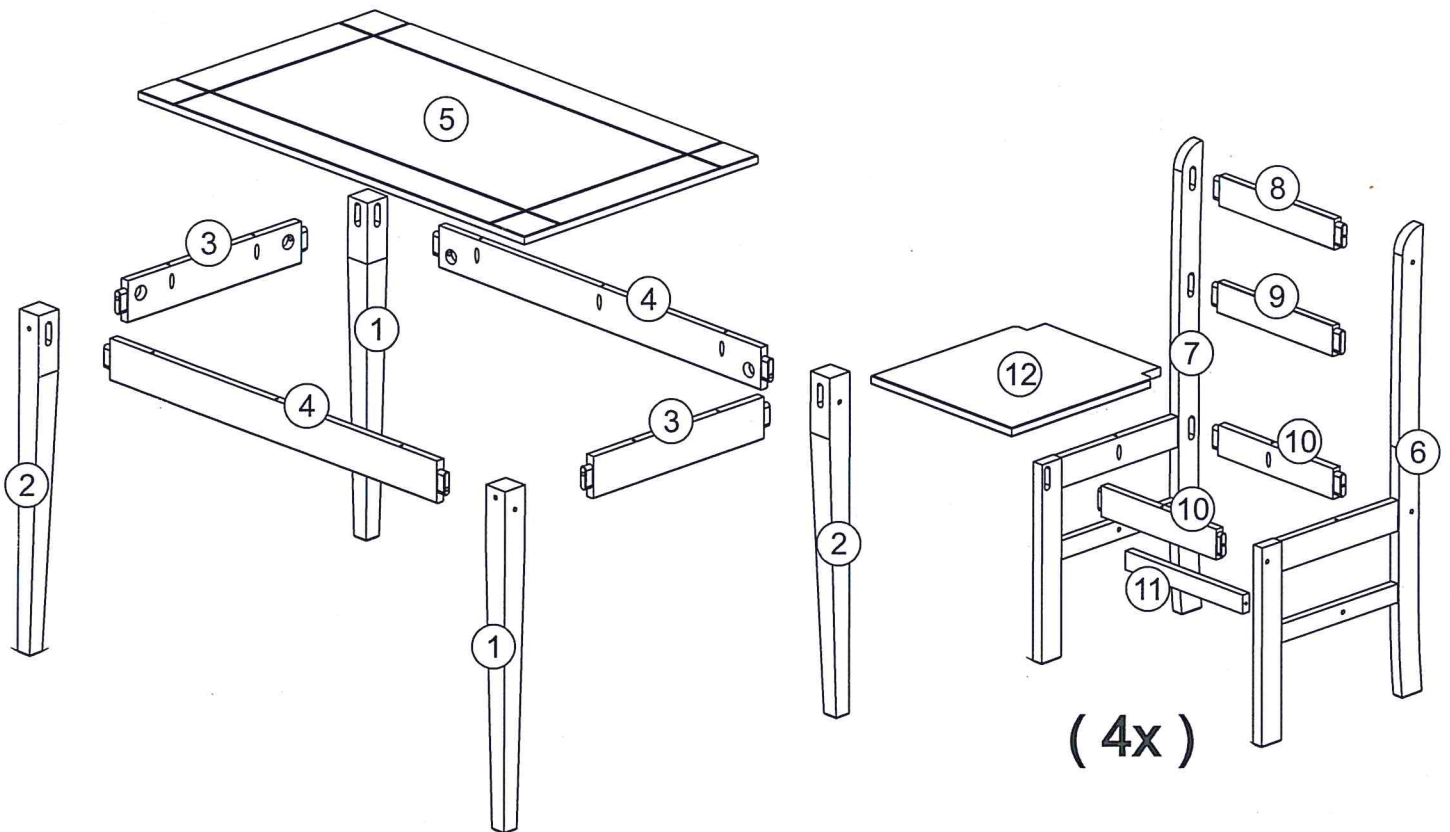
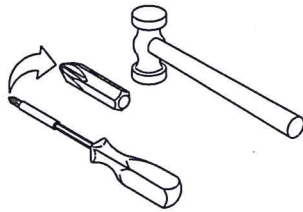
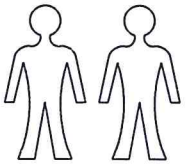
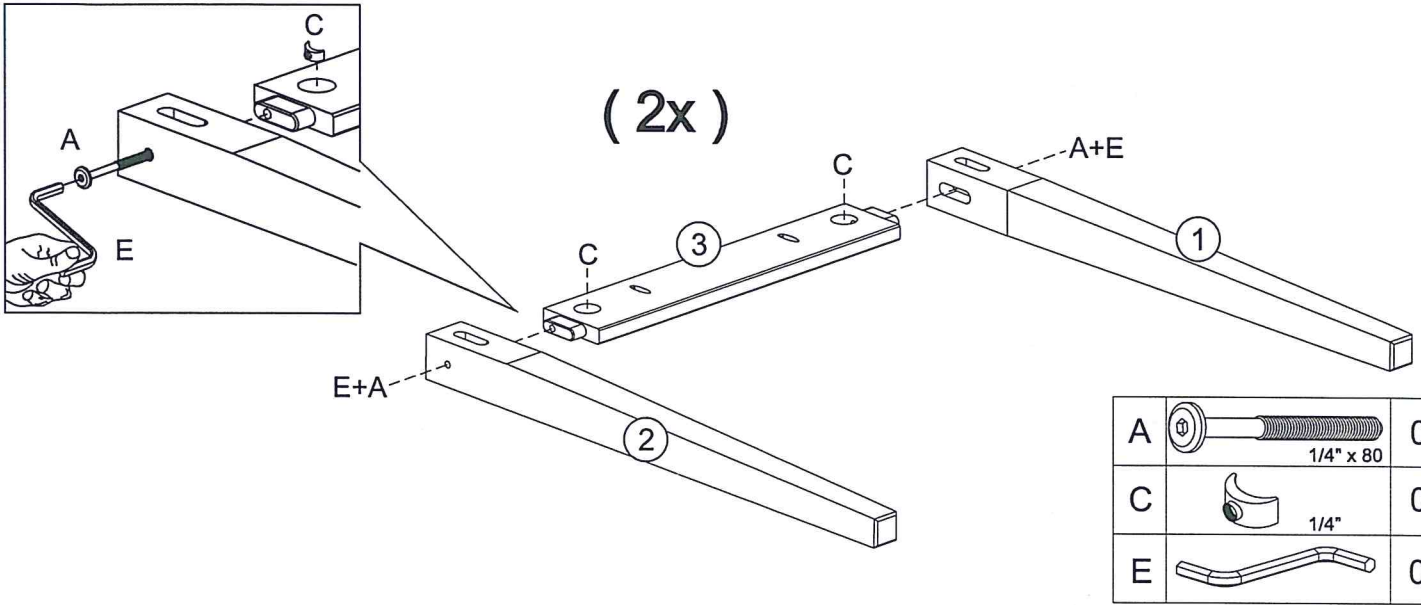


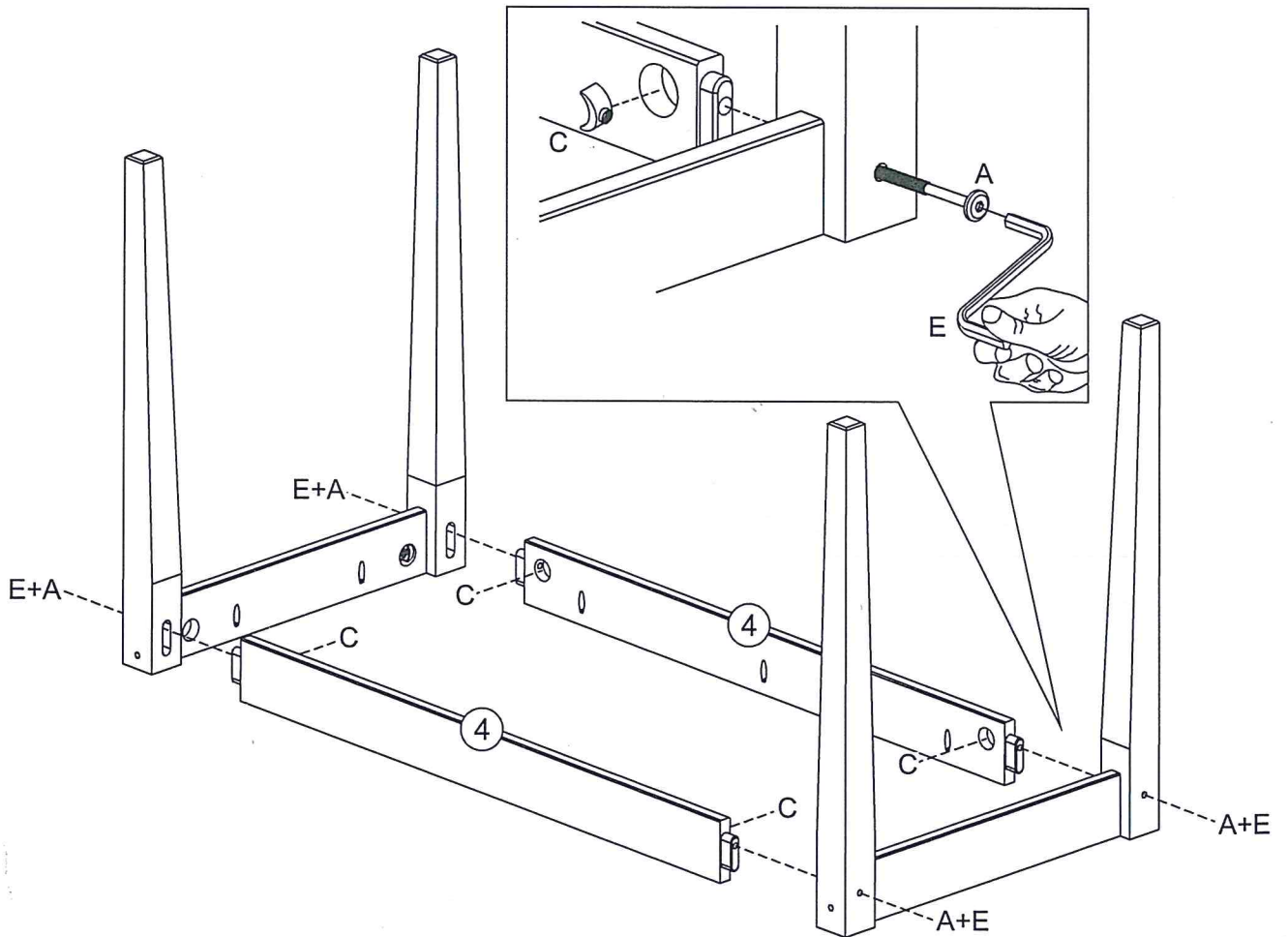
A	 1/4" x 80	08
B	 7 x 50	32
C	 1/4"	08
D	 4,0 x 35	26
E		01






01

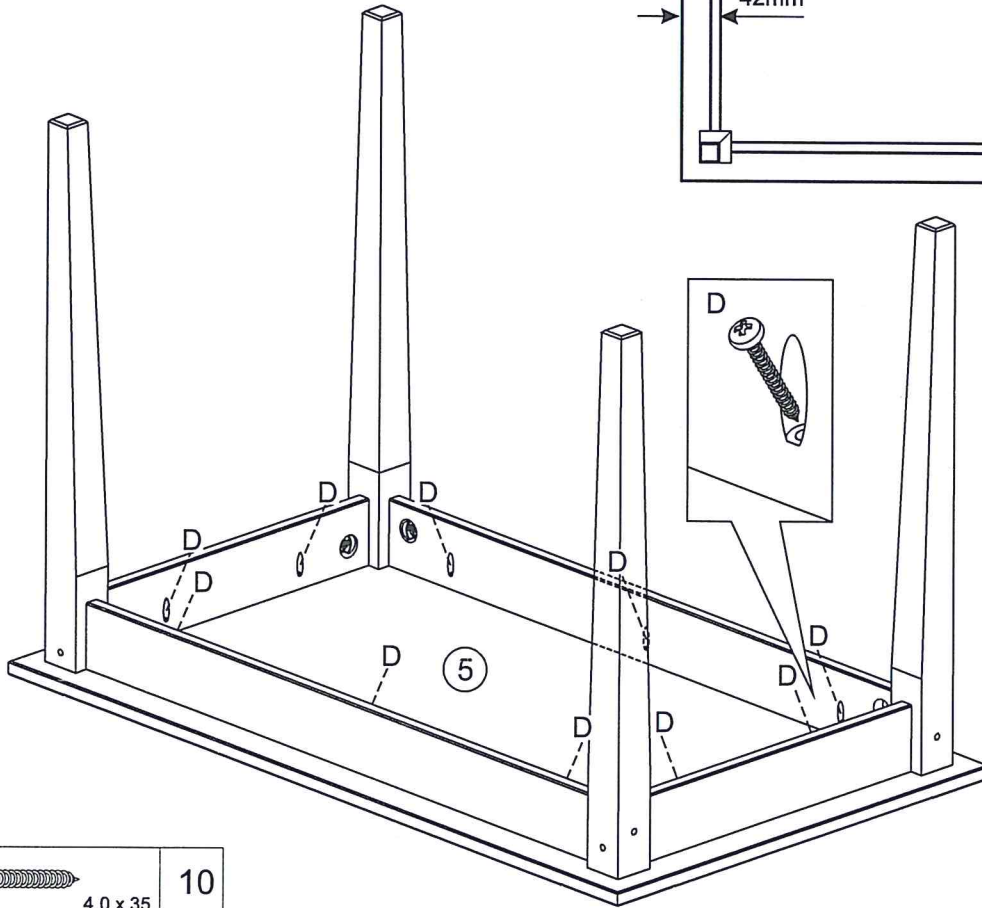



02



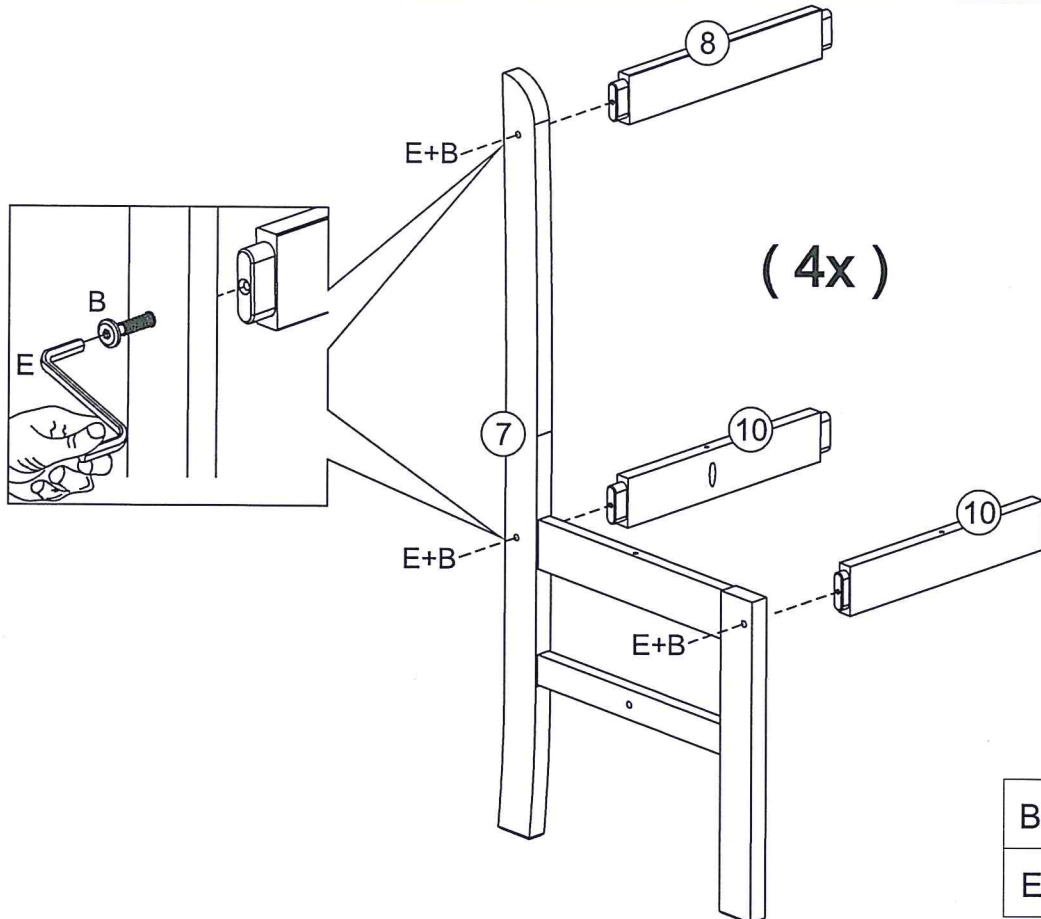
A		1/4" x 80	04
C		1/4"	04
E			01



03



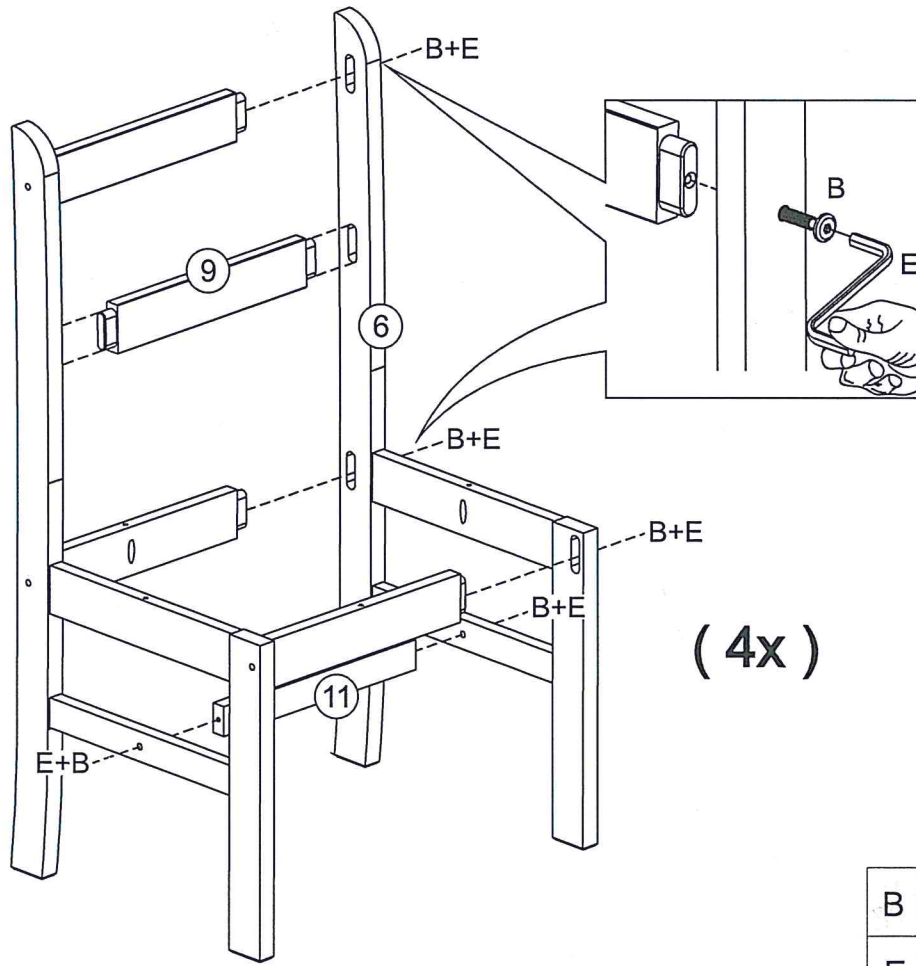
D		4,0 x 35	10
---	---	----------	----

04

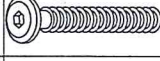



B		7 x 50	12
E			01

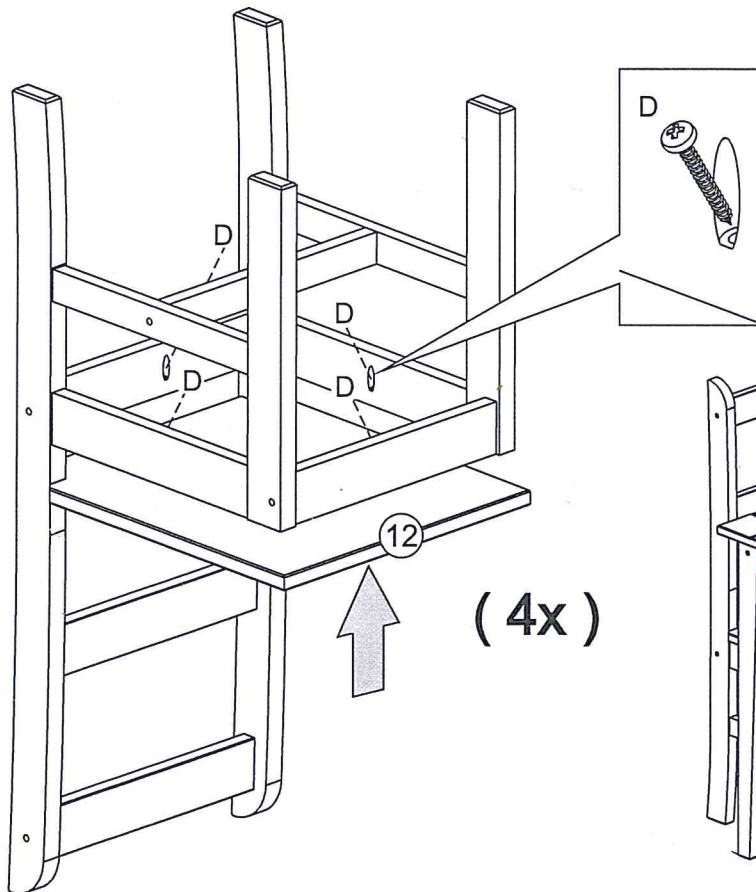
05



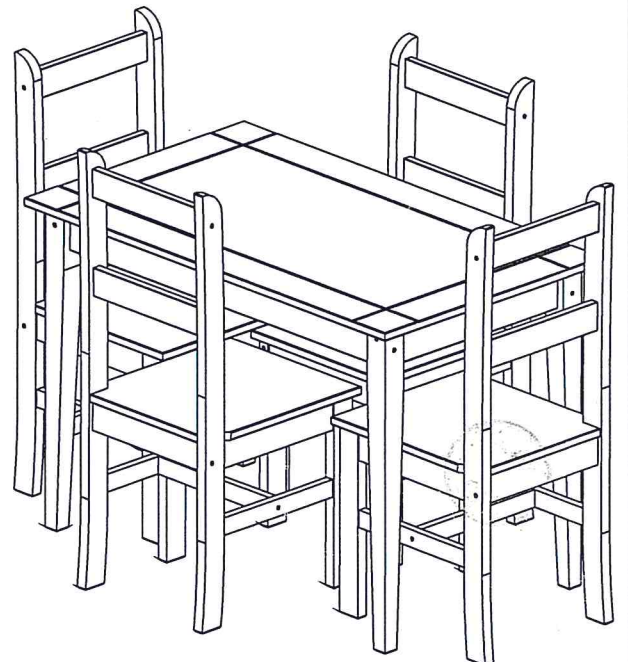
(4x)


B		7 x 50	20
E			01

06



(4x)



D		4,0 x 35	16
---	---	----------	----