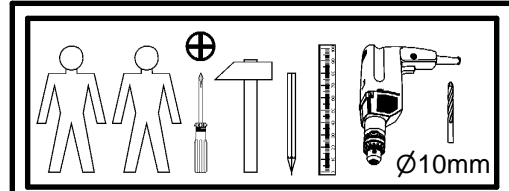
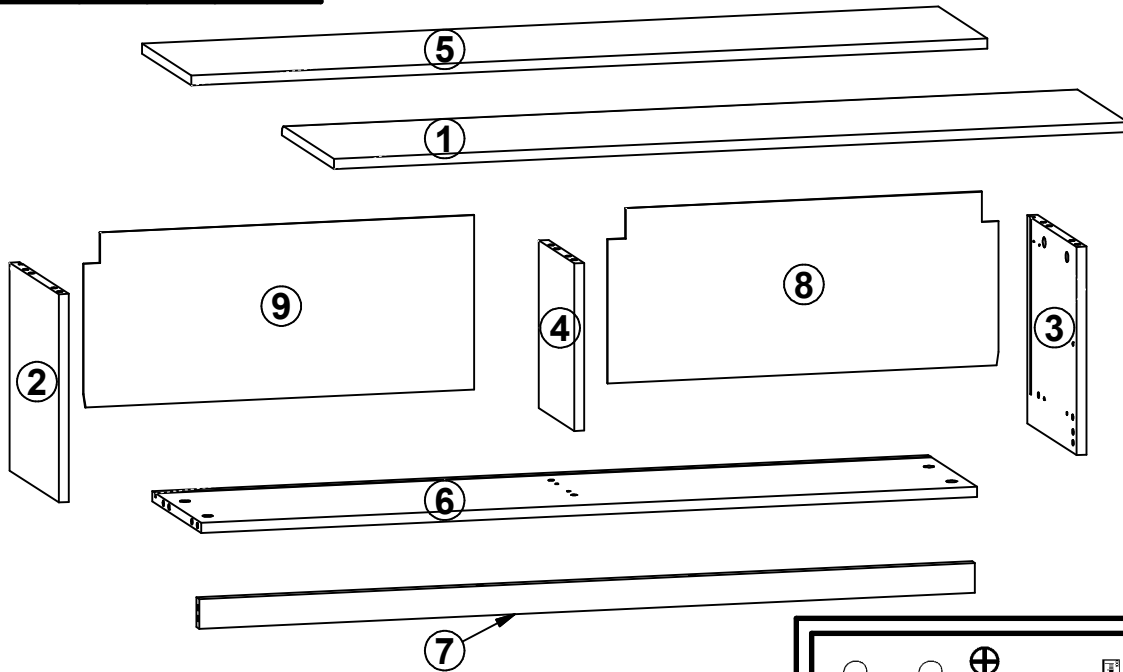


A

ACADEMICA

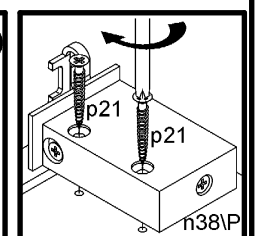
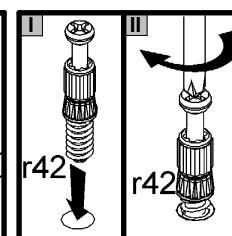
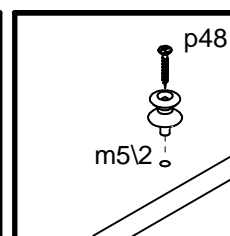
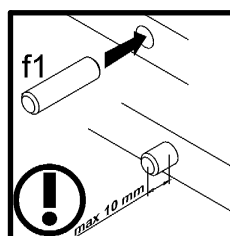
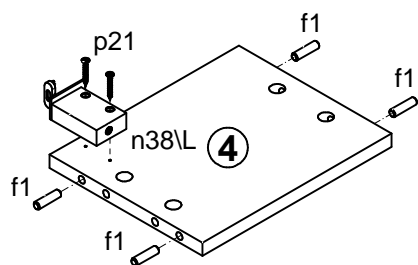
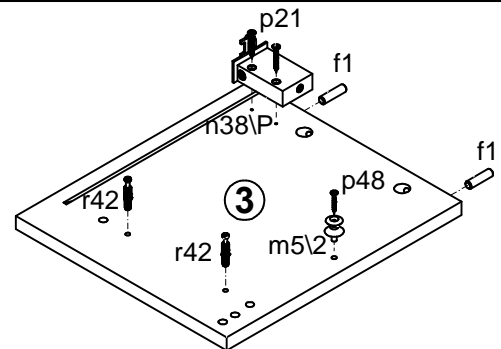
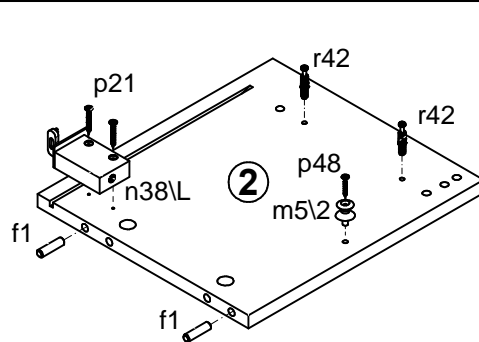
S324-SFW1K/120

A	B	C	D	A	B	C	D		
1	S324-023	1196	294	2/2	6	S324-326	1169	276	1/2
2	S324-130	308	276	1/2	7	S324-418	1169	44	1/2
3	S324-131	308	276	1/2	8	S324-925	258	589	1/2
4	S324-136	248	200	1/2	9	S324-926	258	589	1/2
5	S324-210	1200	276	1/2					

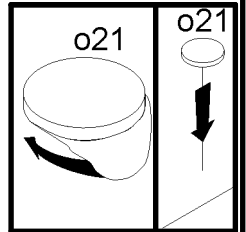
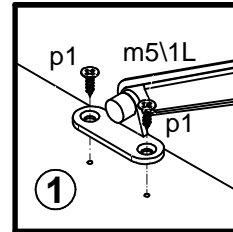
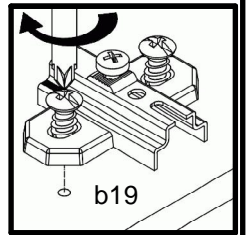
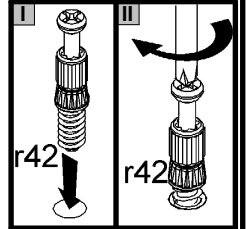
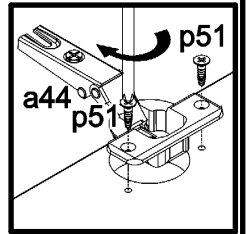
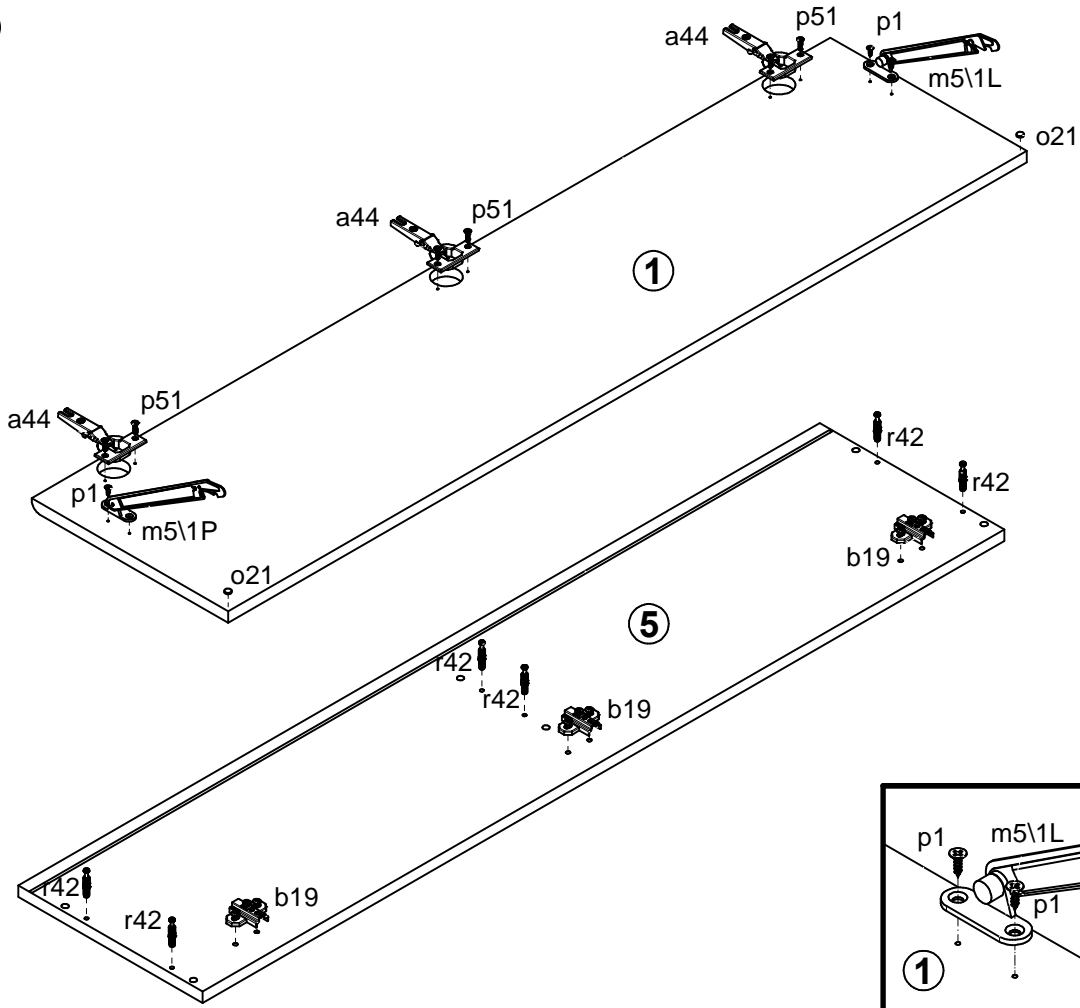


3x a44	3x b19	18x f1 Ø8x30 mm	3x f35 Ø10x50 mm	5x l1	10x l2	1x m5\1L	1x m5\1P	2x m5\2
2x n38\L	1x n38\P	2x o21 silikon	4x p1 Ø3,5x13 mm	6x p21 Ø4x30 mm	2x p48 Ø3x25 mm	6x p51 Ø3,5x15 mm	3x p127 Ø6x60 mm	12x r1 Ø15x12 mm #16
12x r42	12x s2							

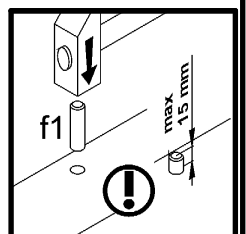
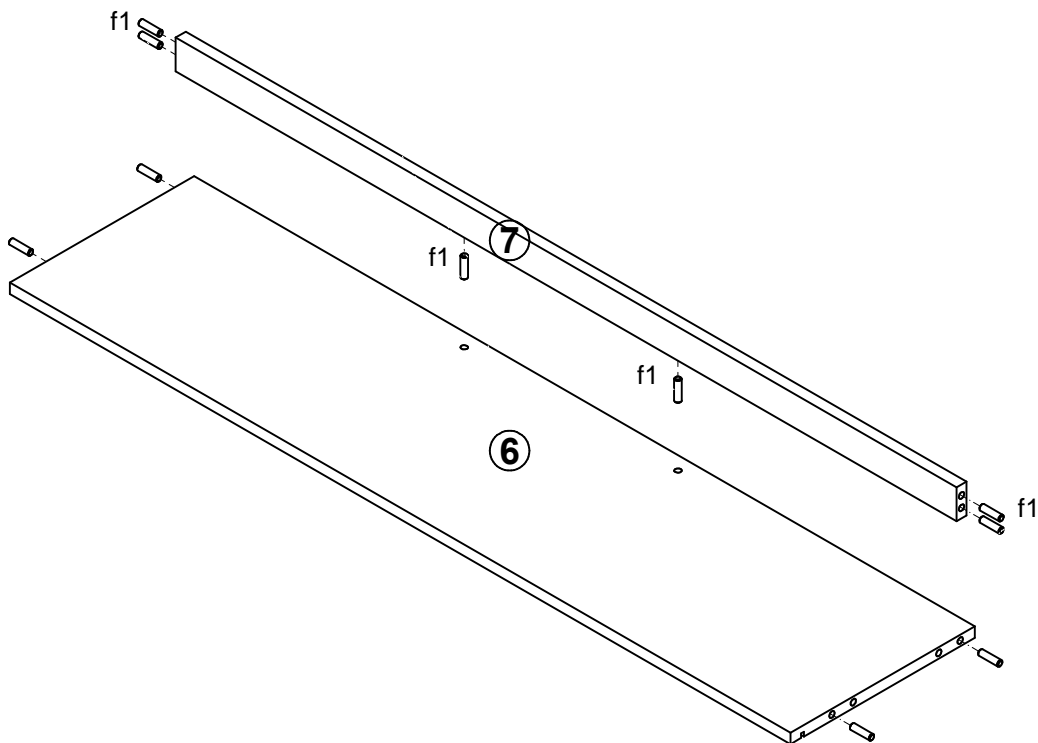
1 §2

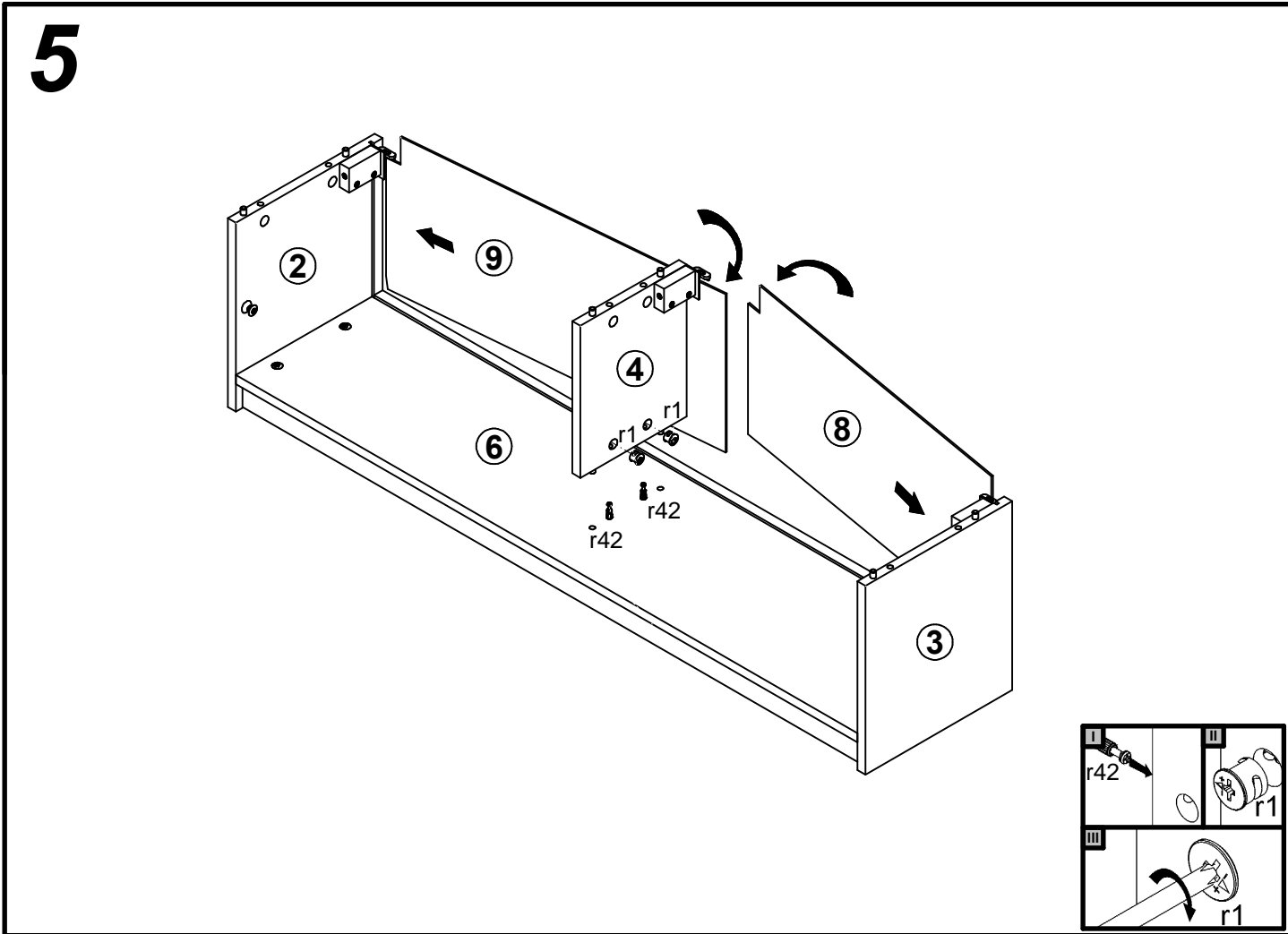
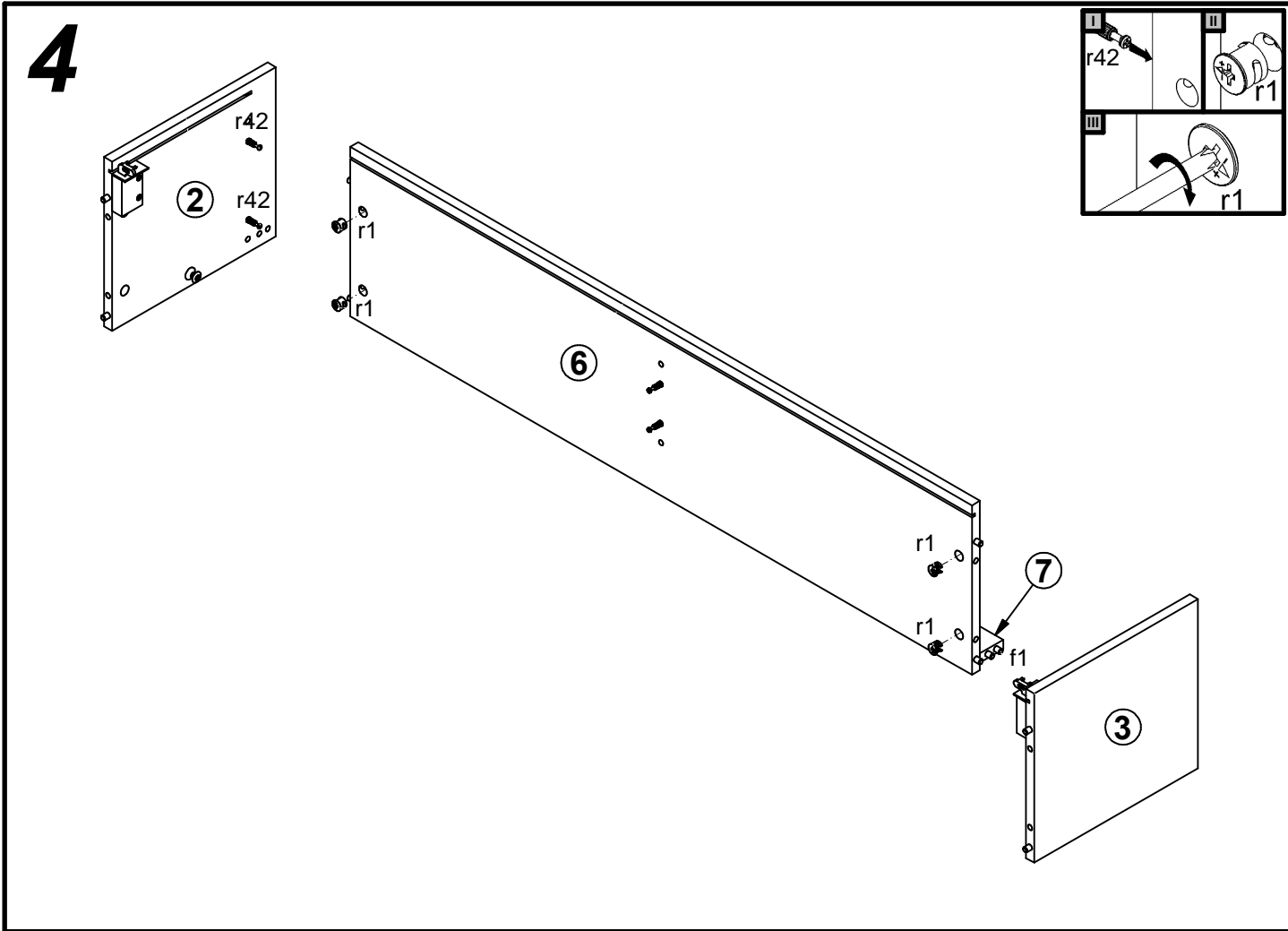


2

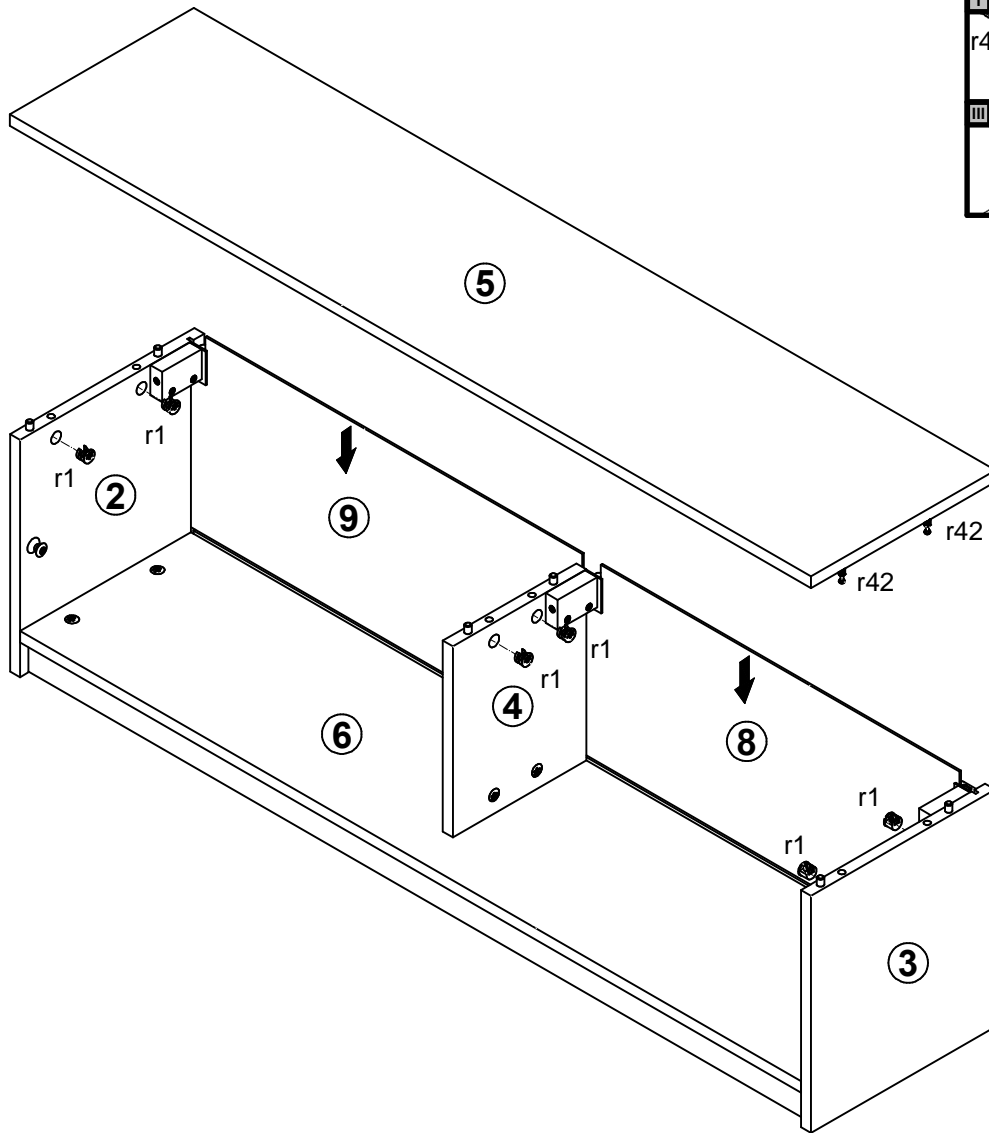


3

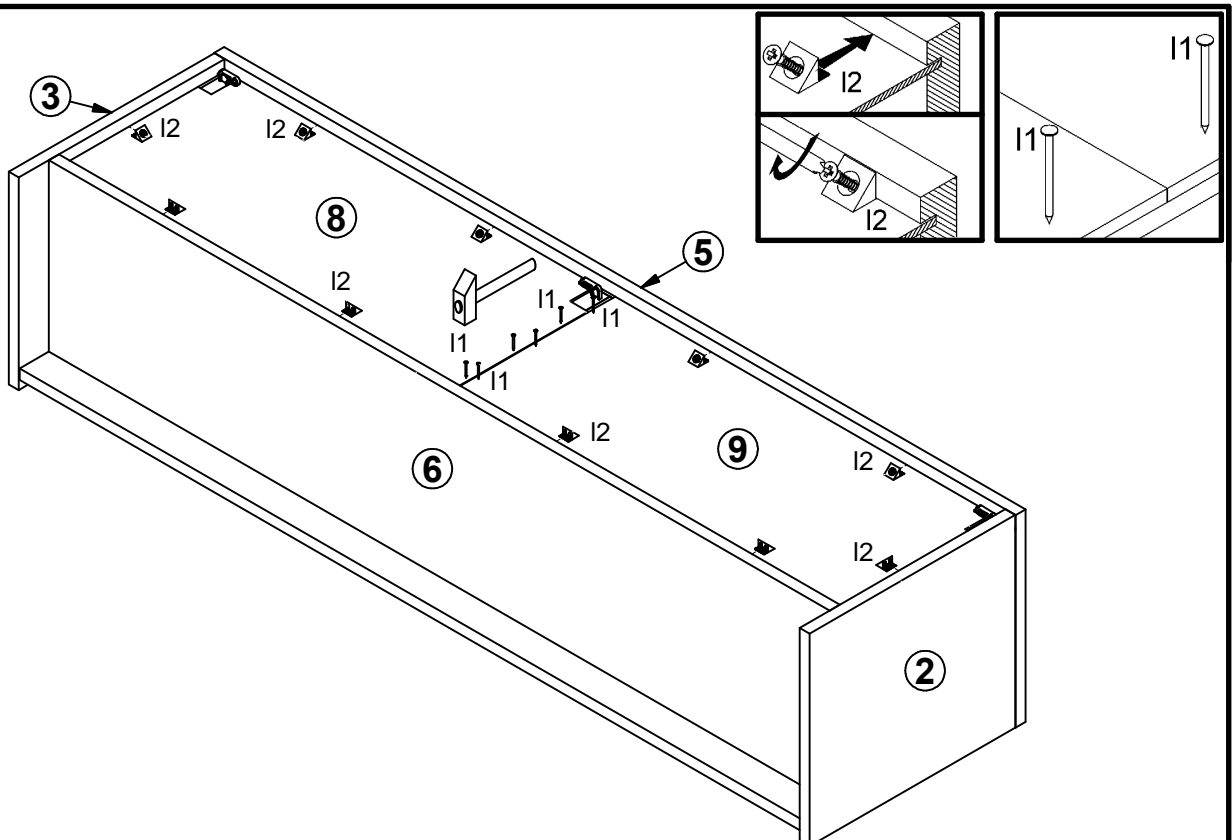




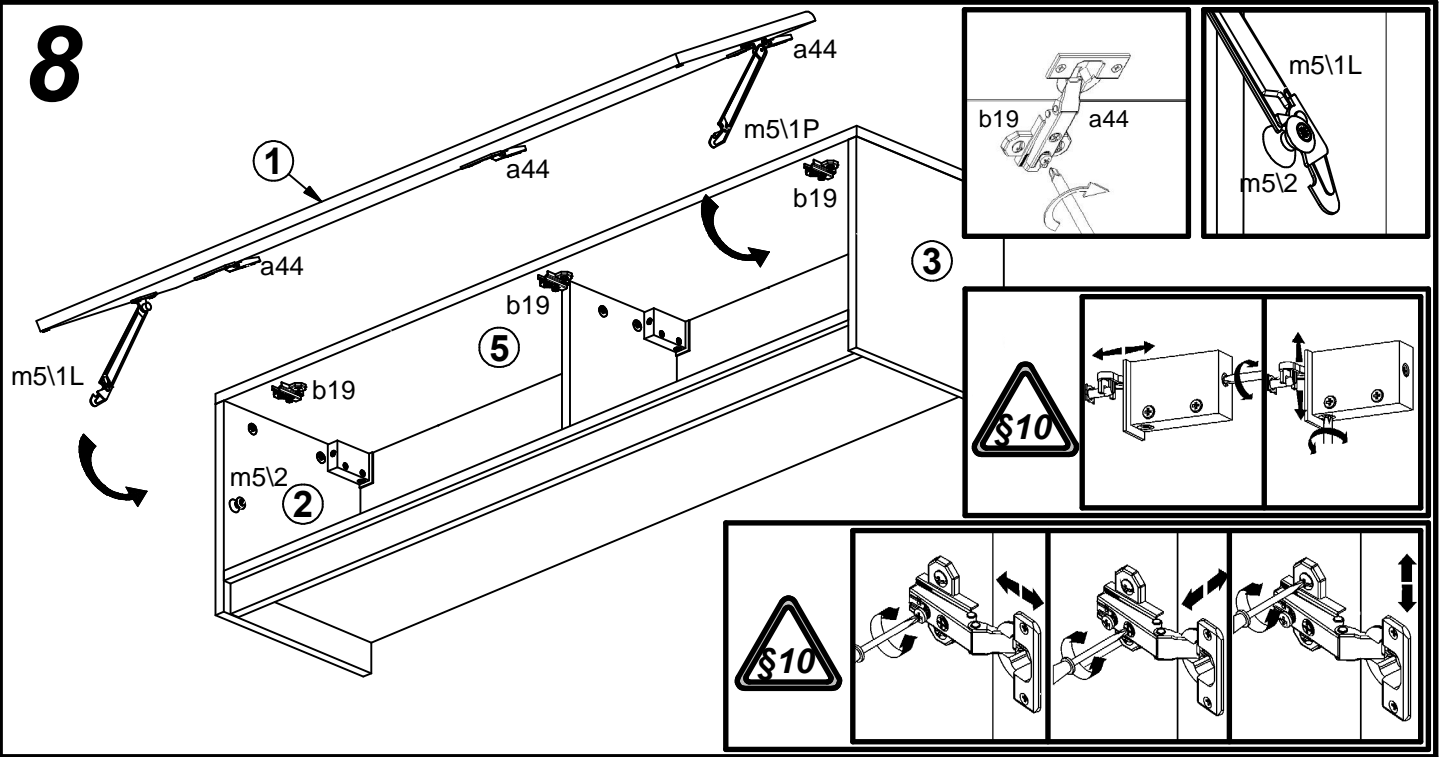
6



7



8



9

