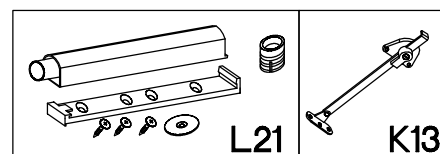
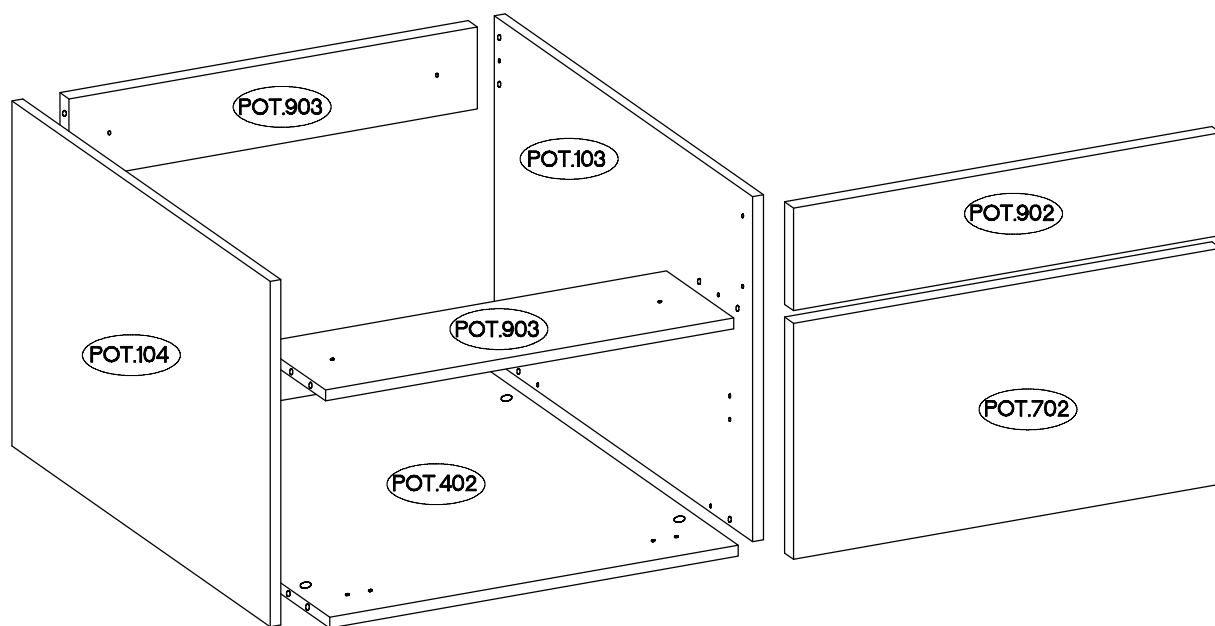
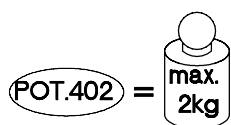
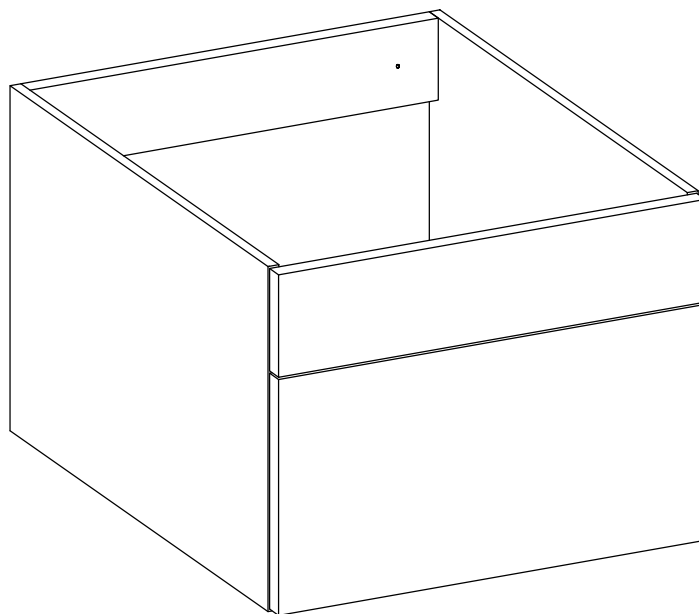


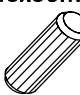

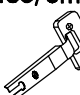


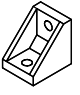










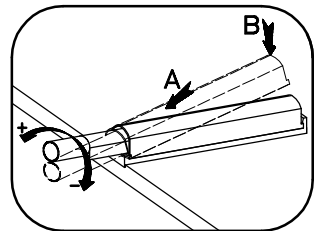
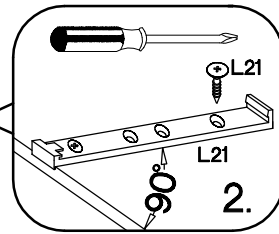
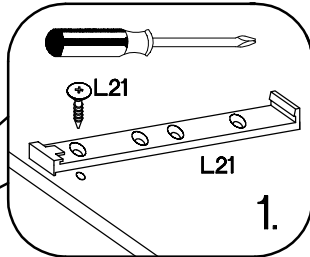
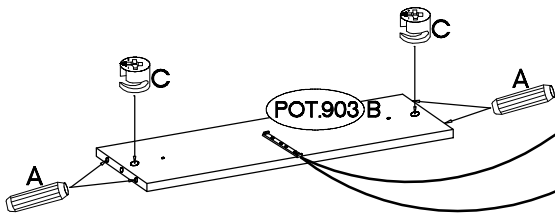
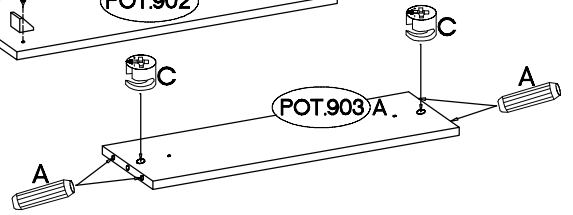
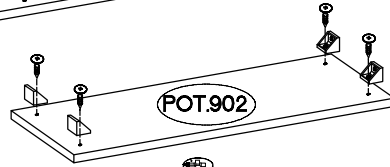
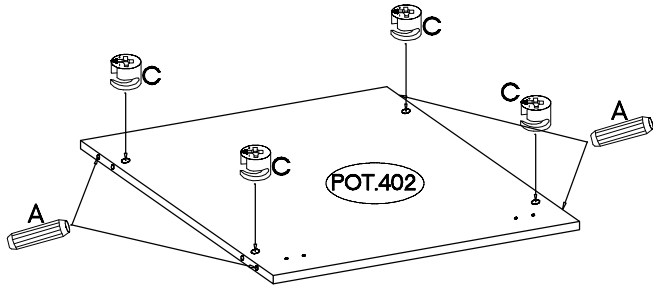
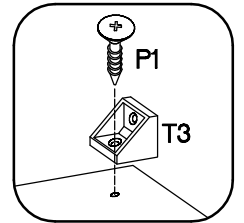
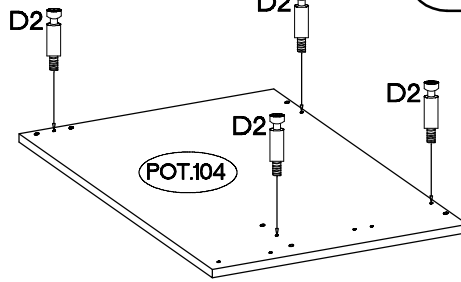
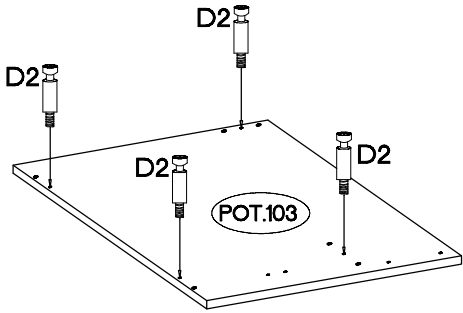
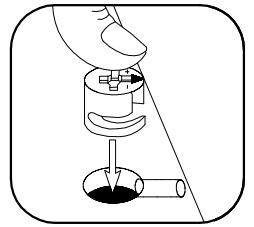
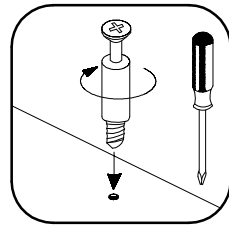
PORTO 302



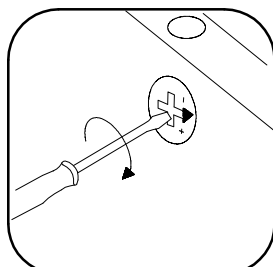
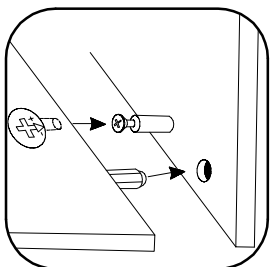
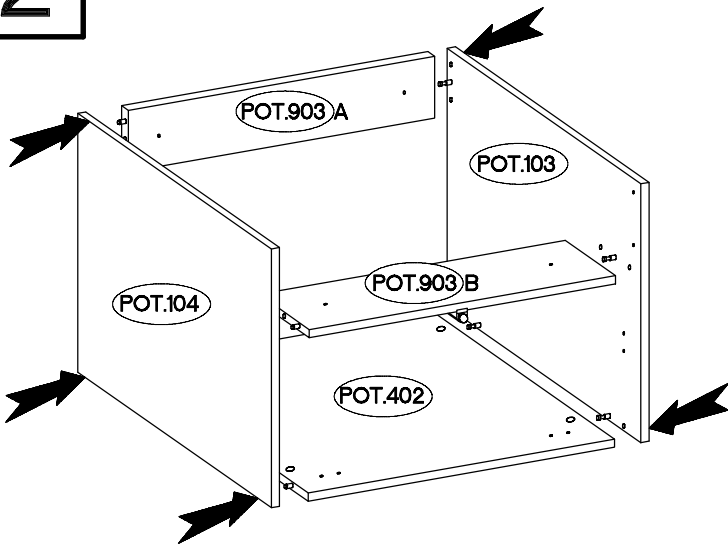
L=20mm  D2	±15/12mm  C	±8x30mm  A	H=0  H	±35/0mm  G	±3.5x13mm  P5	 E	 T3	±4.0x16mm  P1	±3.0x16mm  P11
8	8	12	2	2	7	4	4	8	3

1

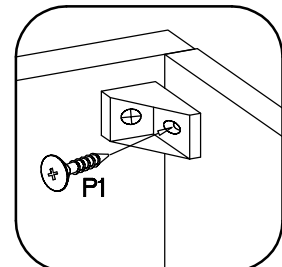
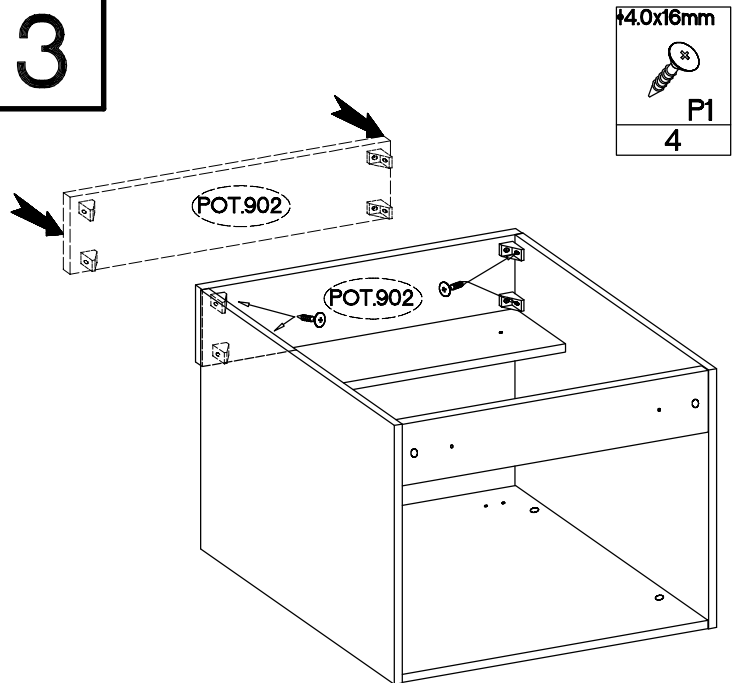
L=20mm 	∅15/12mm 	∅8x30mm 		∅4.0x16mm 	
D2	C	A	T3	P1	L21
8	8	12	4	4	1



2



3



4

±35/0mm



G

2

H=0

±3.5x13mm



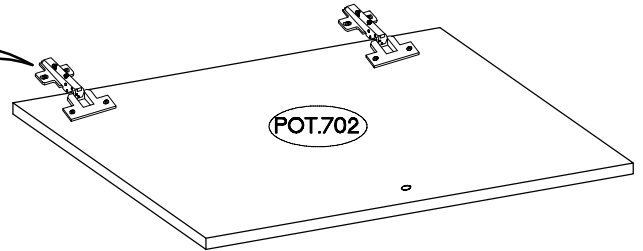
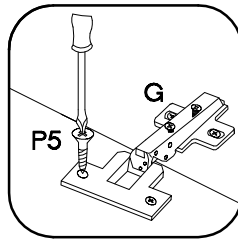
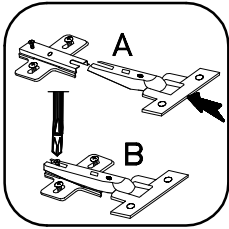
H



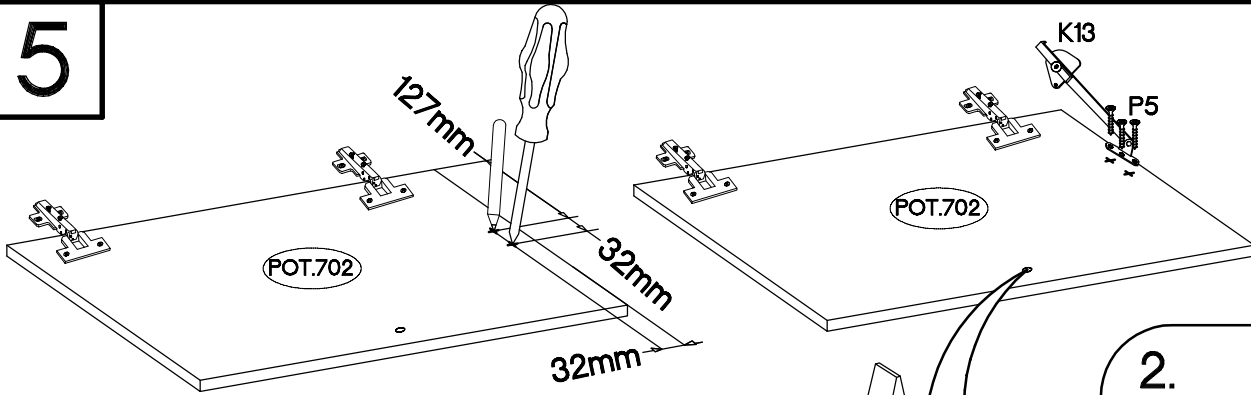
P5

2

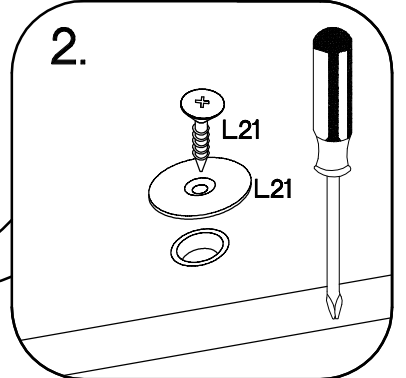
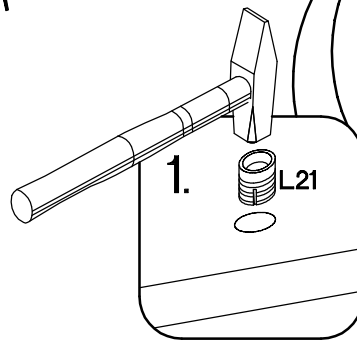
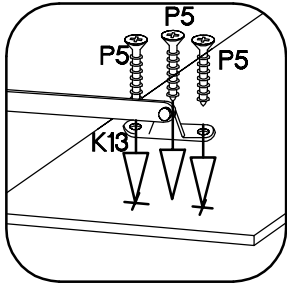
4



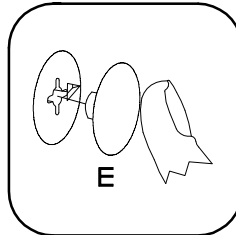
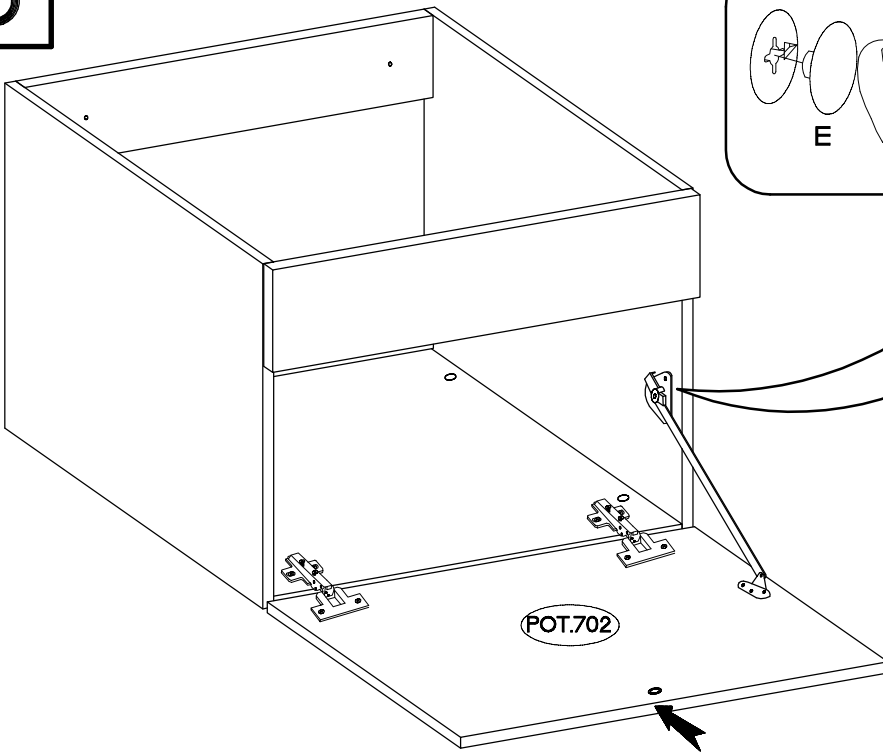
5



	±3.5x13mm
K13	P5
1	3
	L21
1	



6



±3.0x16mm	
P11	E
3	4

