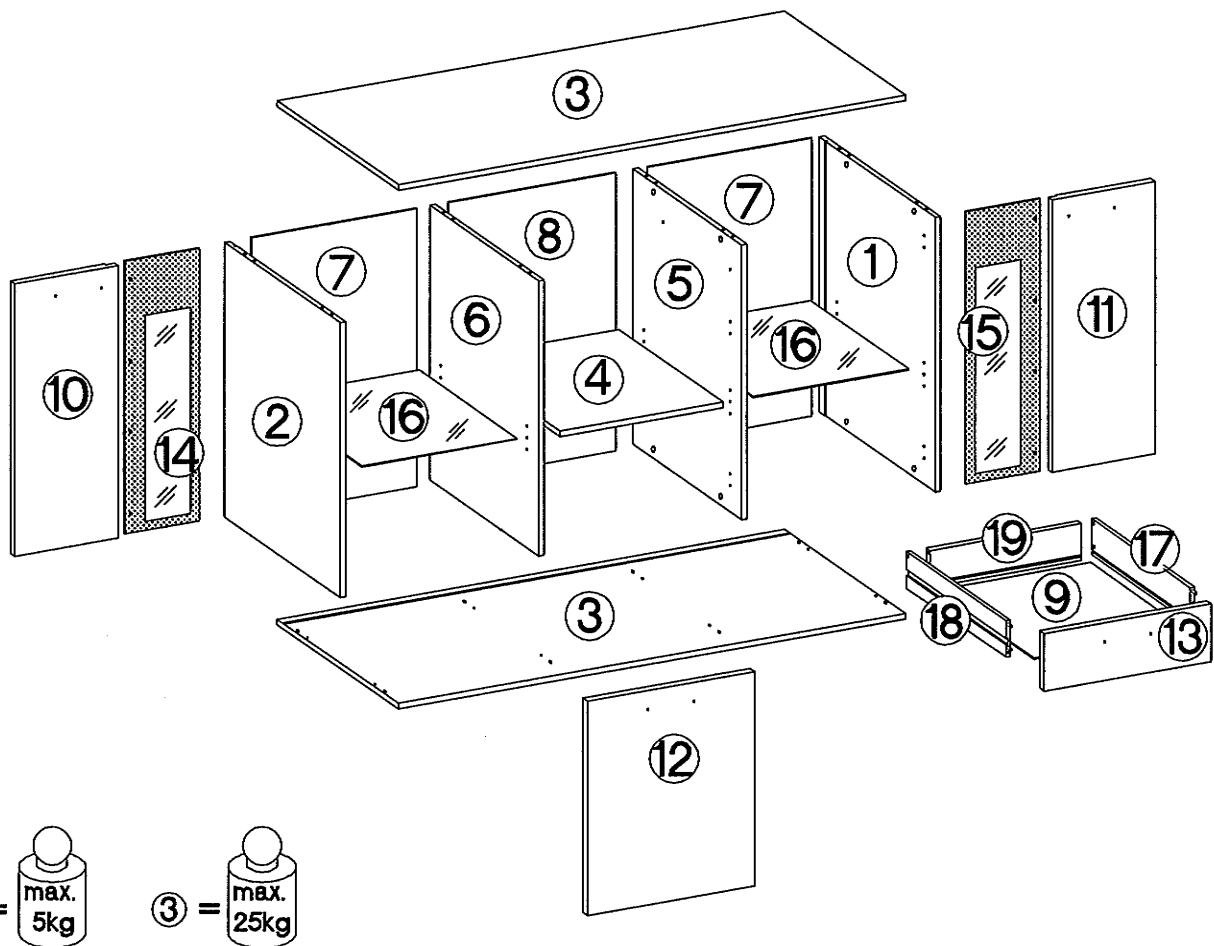
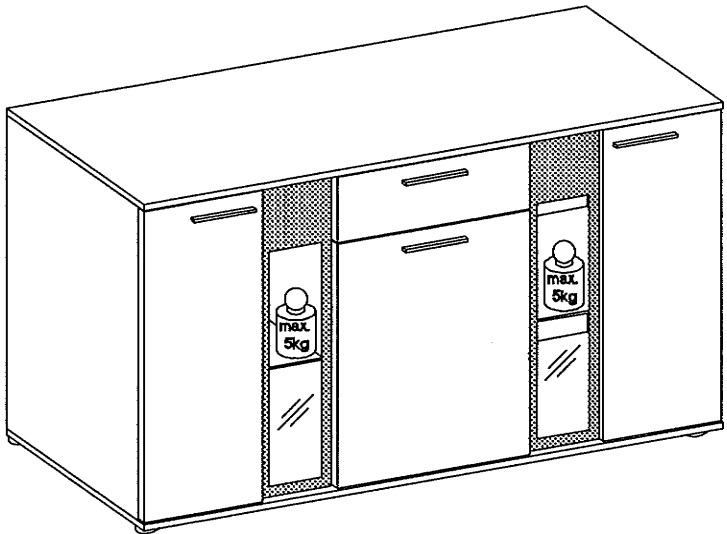


SALSA

Typ 20



16, 4 = max. 5kg
 3 = max. 25kg

1B :

L=128mm	±4.0x30mm
4	8

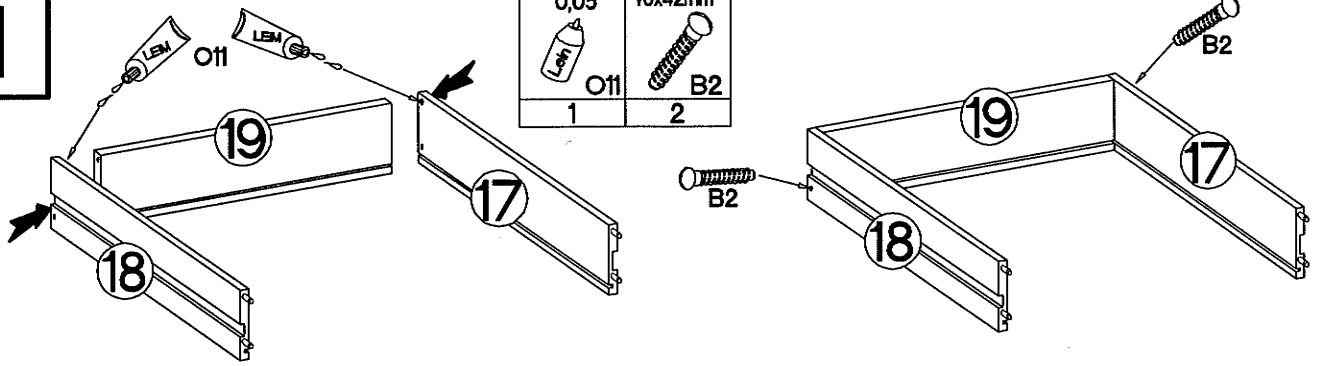
2B :

H=0	±35/0mm	±3.5x13mm	±35/9mm
6	4	12	2

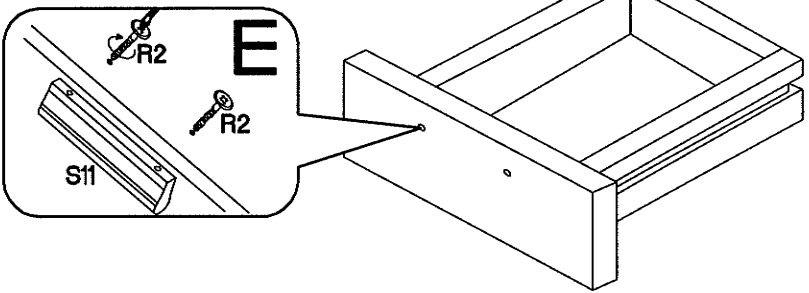
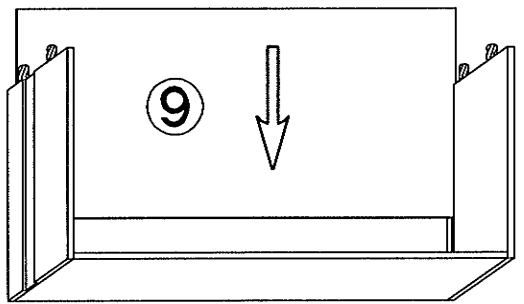
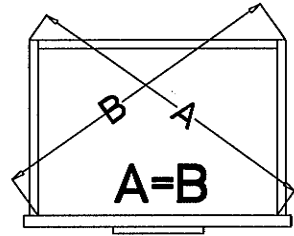
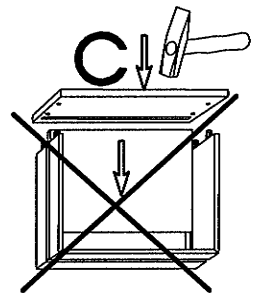
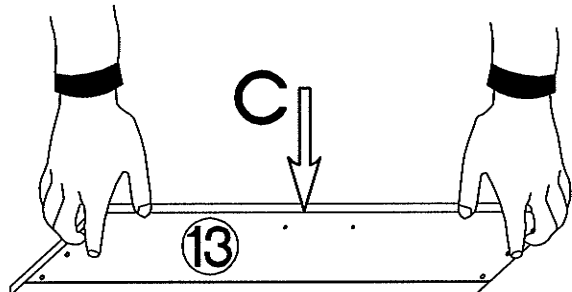
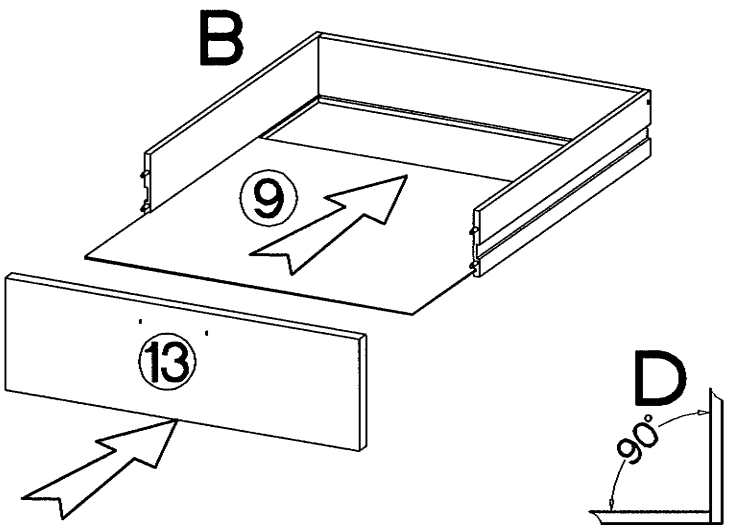
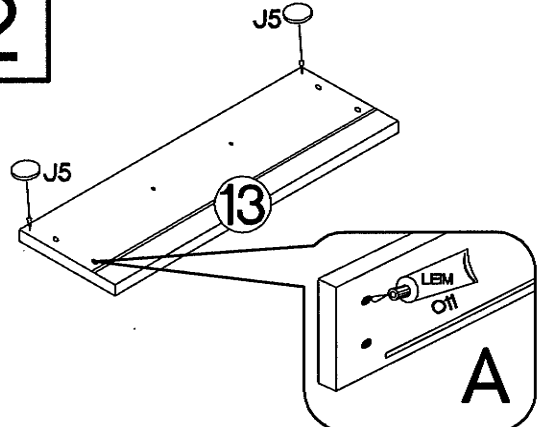
3B :

±5/12mm	±8x30mm	±7/3mm	±4.0x12mm		±10x50mm			±7/2mm	±6x42mm	L=20mm	
16	16	8	8	4	8	2	10	8	8	2	16
±4.0x25mm		±3.5x13mm			±6.3x13mm	27/90mm		M4x9mm	±3.0x20mm	0,05	
6	6	2	12	12	4	1	2	2	10	1	

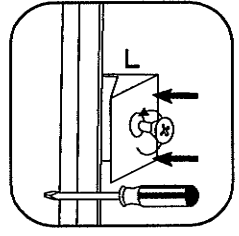
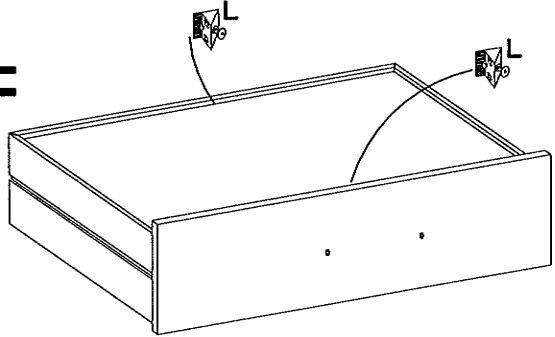
1



2



F



17/2mm	0,05	
J5	Lem O11	
2	1	
L=128mm	4.0x30mm	
S11	R2	L
1	2	2

3

H-0 4	G 4	P5 8	J5 4
J7 8	R5 8	J15 8	O11 1

1h

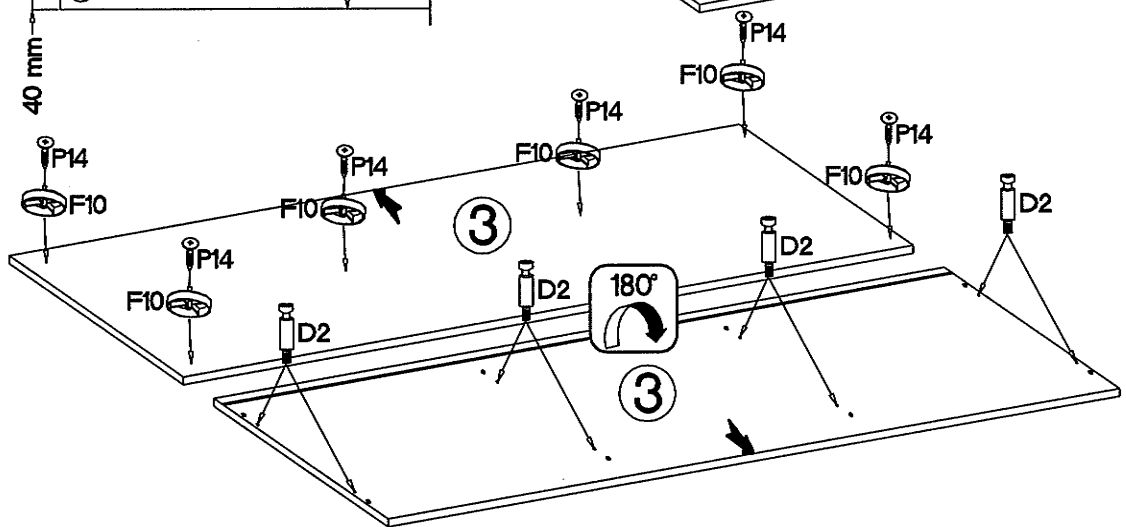
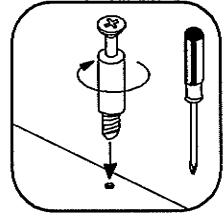
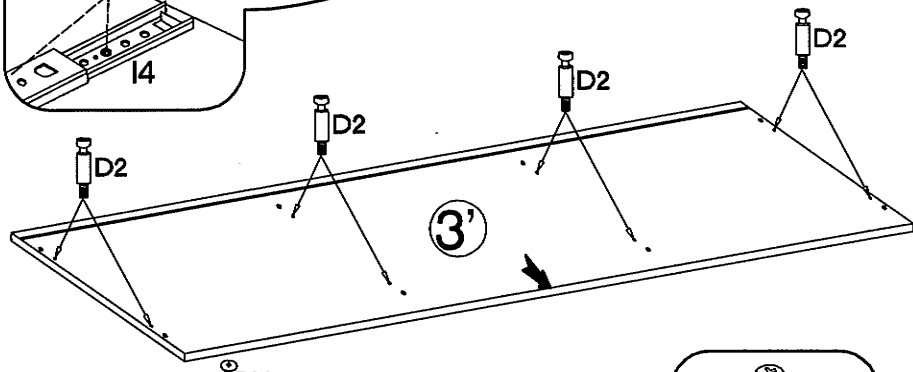
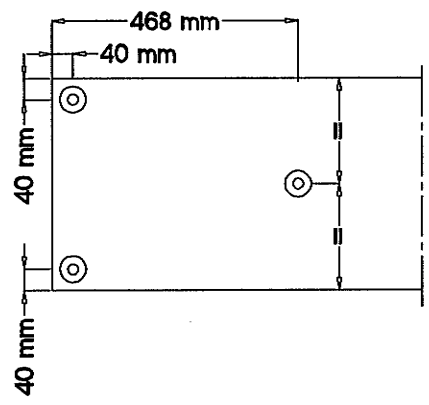
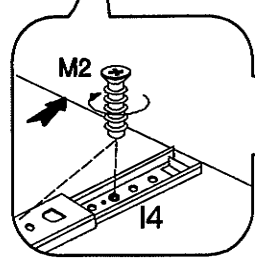
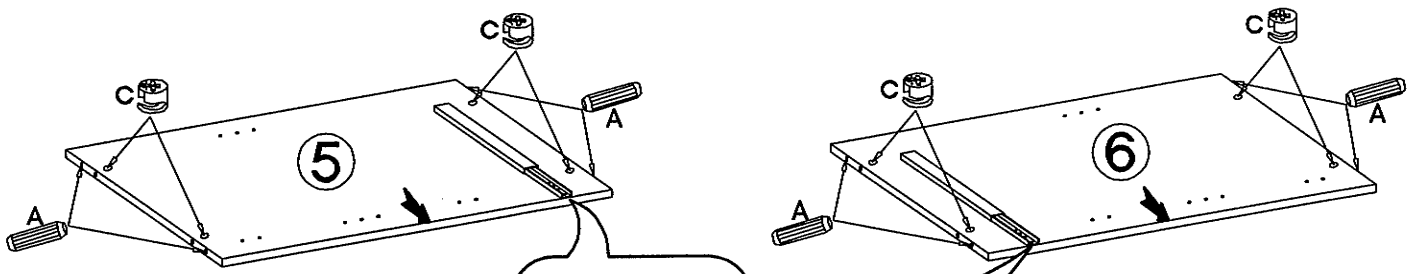
FARBE

4

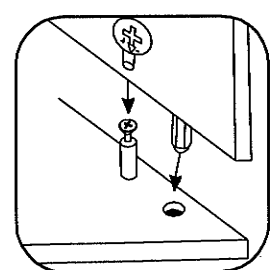
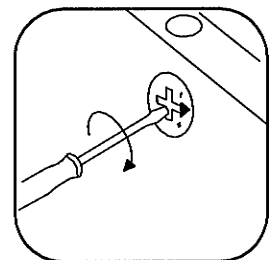
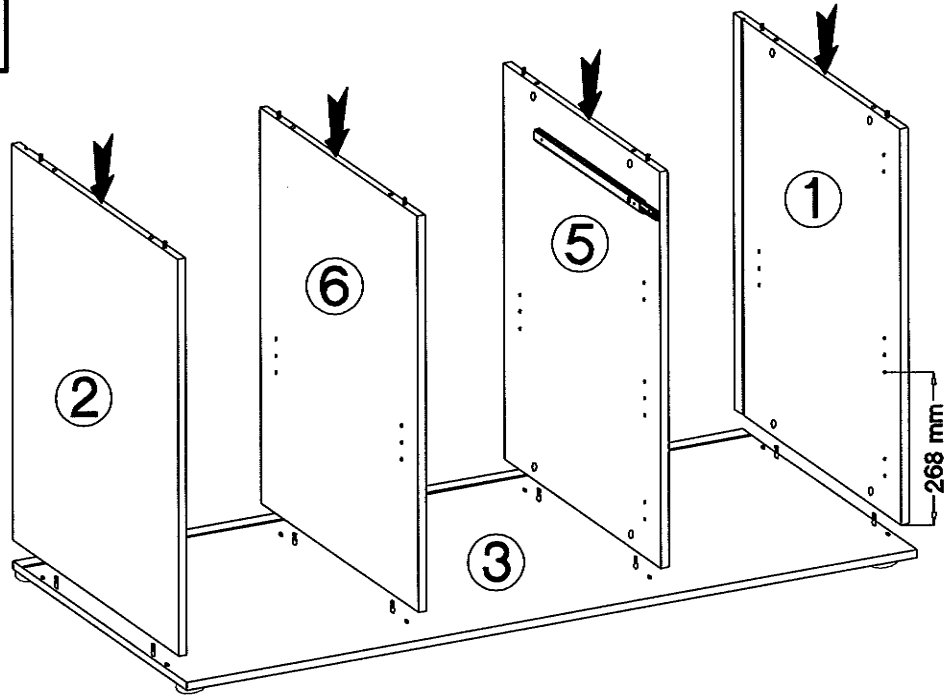
P5 4	G1 2	J5 2
		H-0 2

5

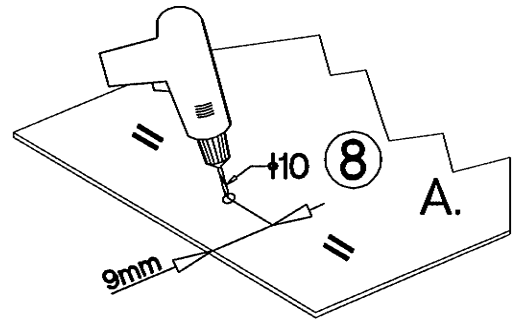
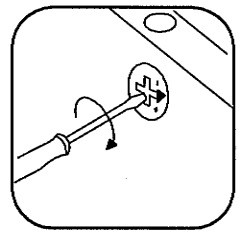
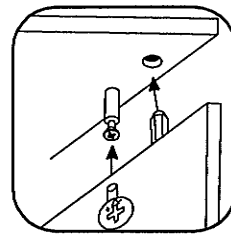
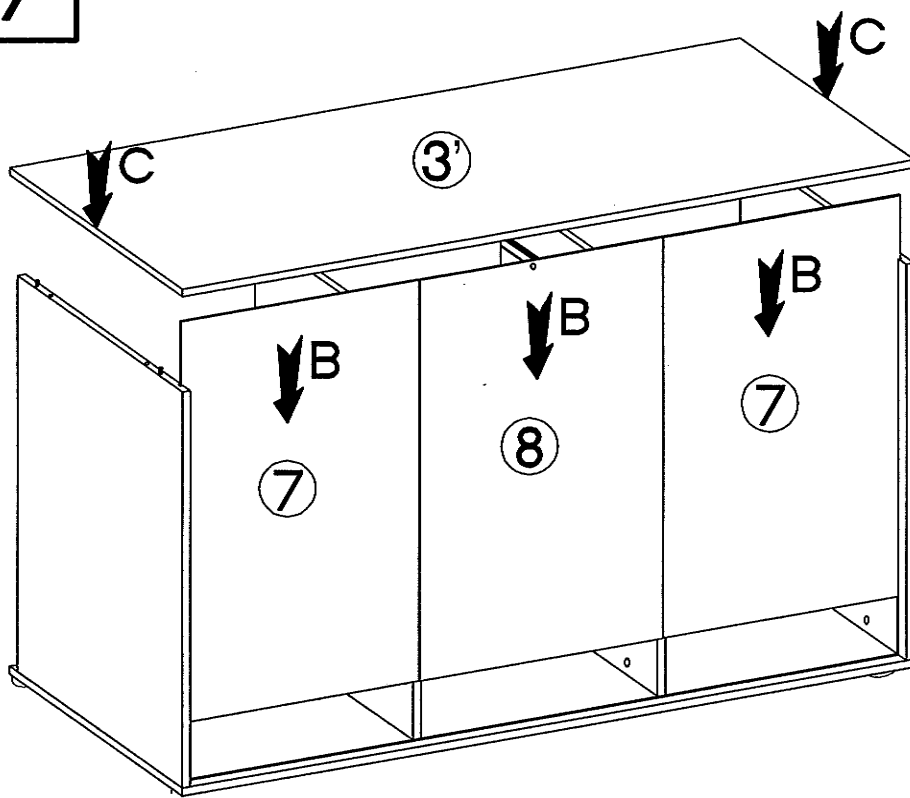
D2 16	P14 6	F10 6	M2 4	I4 1	C 16	A 16
----------	----------	----------	---------	---------	---------	---------



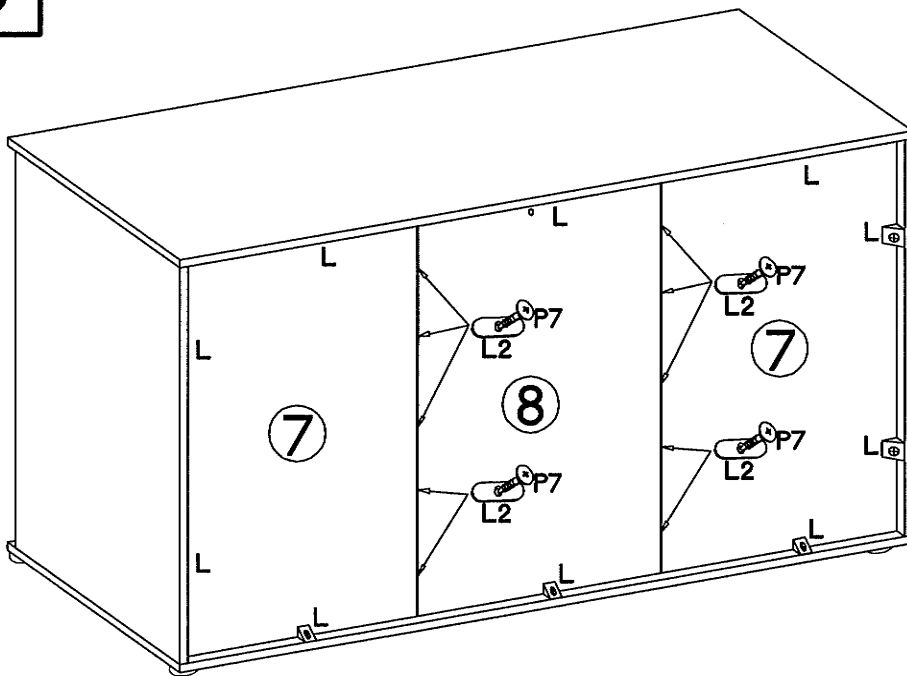
6



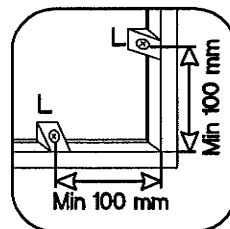
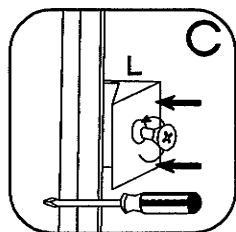
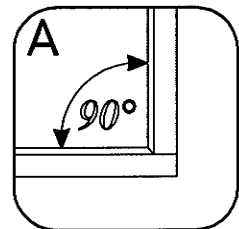
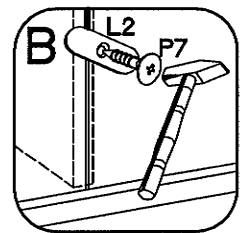
7



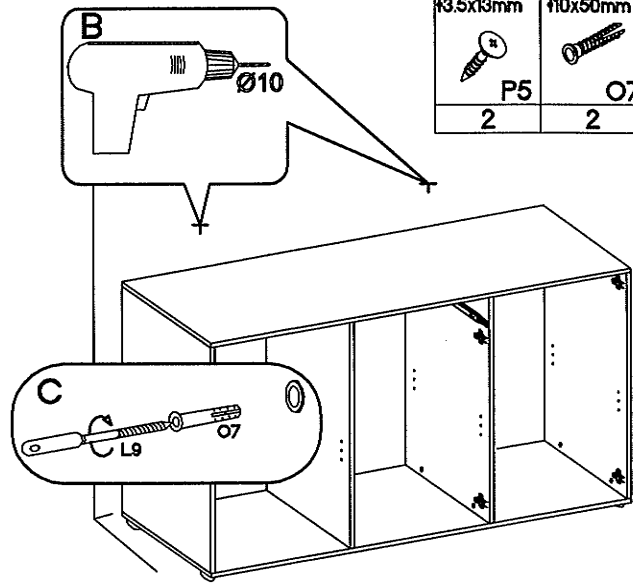
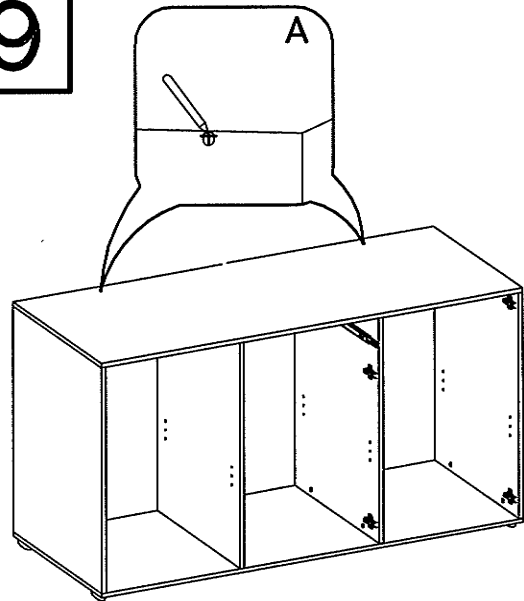
8



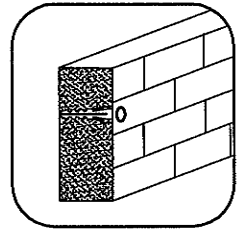
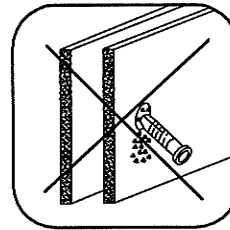
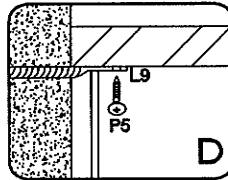
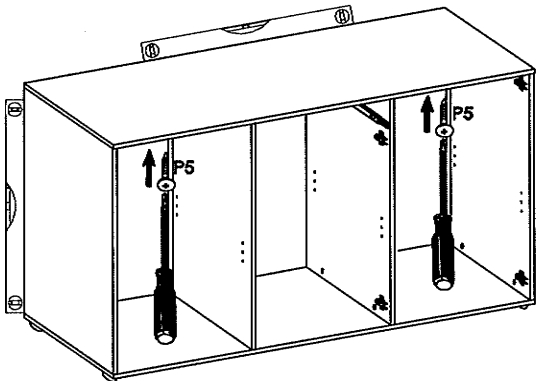
$\varnothing 3.0 \times 20 \text{mm}$		
P7	L2	L
10	10	10



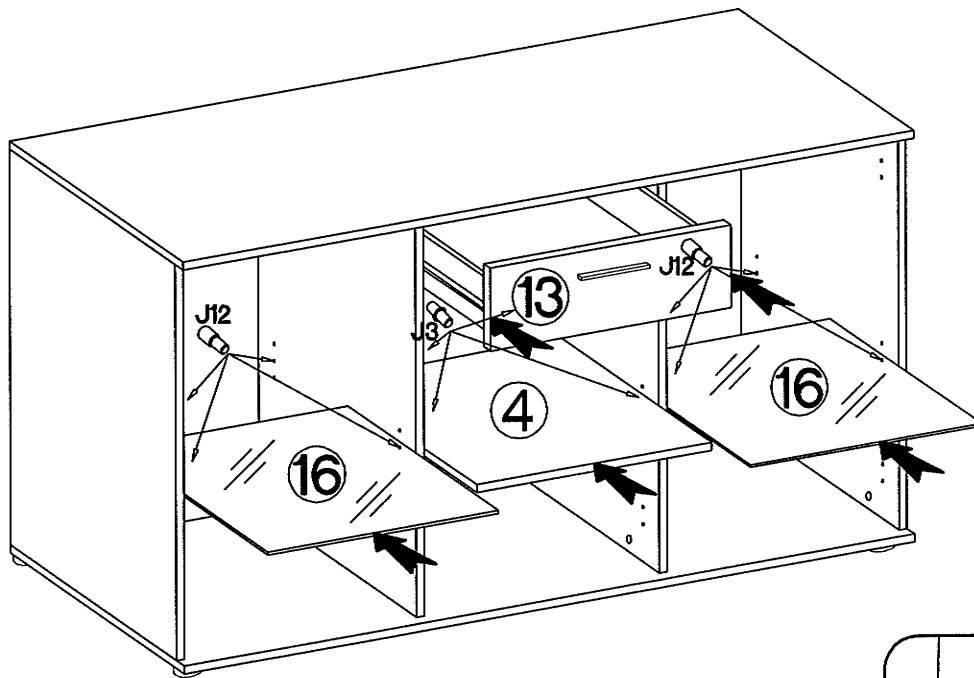
9



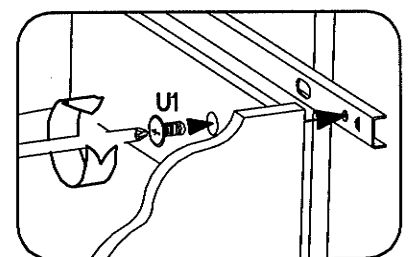
 P5 2	 O7 2	 L9 2
-------------	-------------	-------------






10



 J3 4	 J12 8	 U1 2
-------------	--------------	-------------



11

L=128mm 	4.0x30mm 	
S11 3	R2 6	E 12

