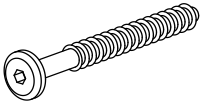

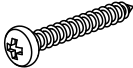


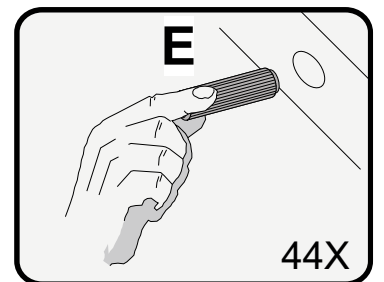
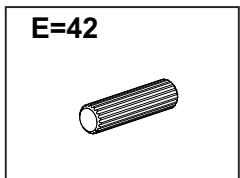
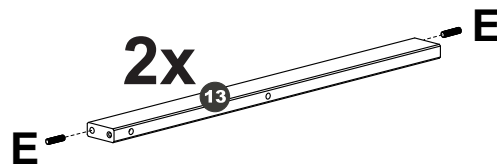
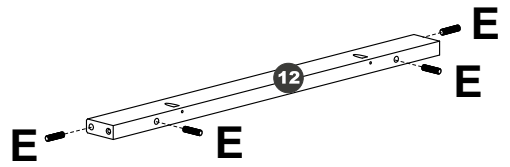
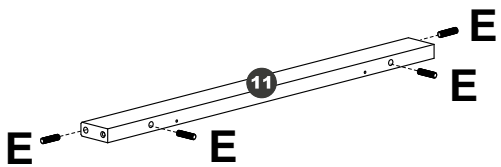
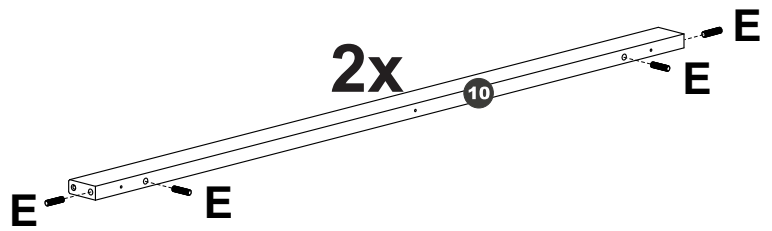
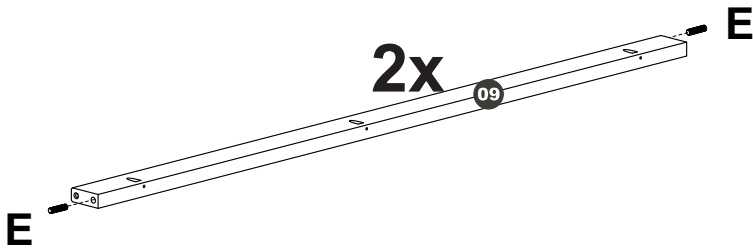
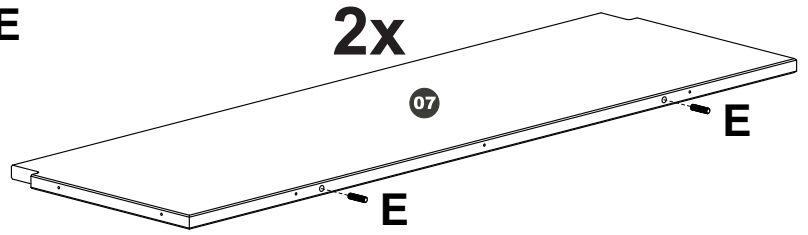
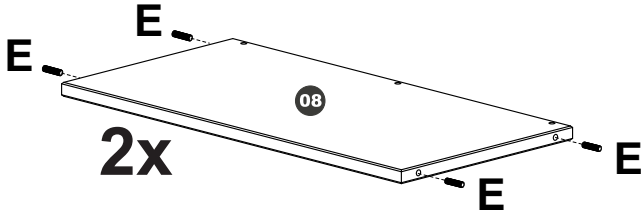
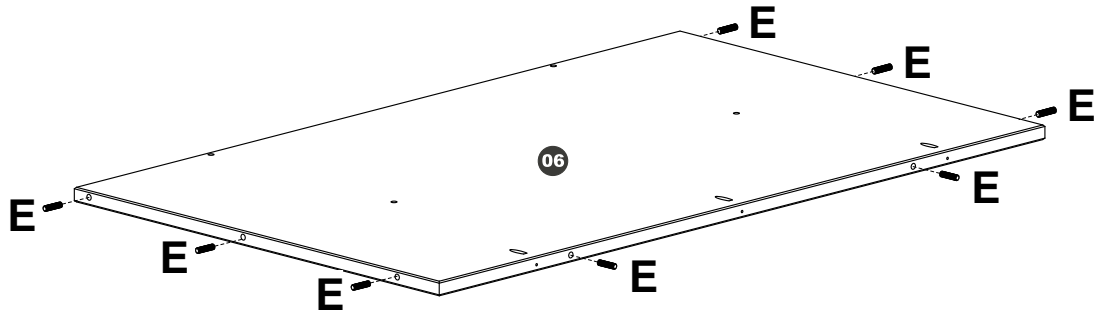
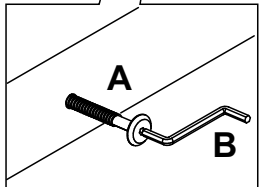
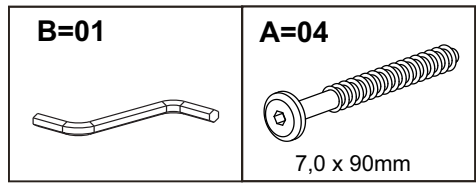
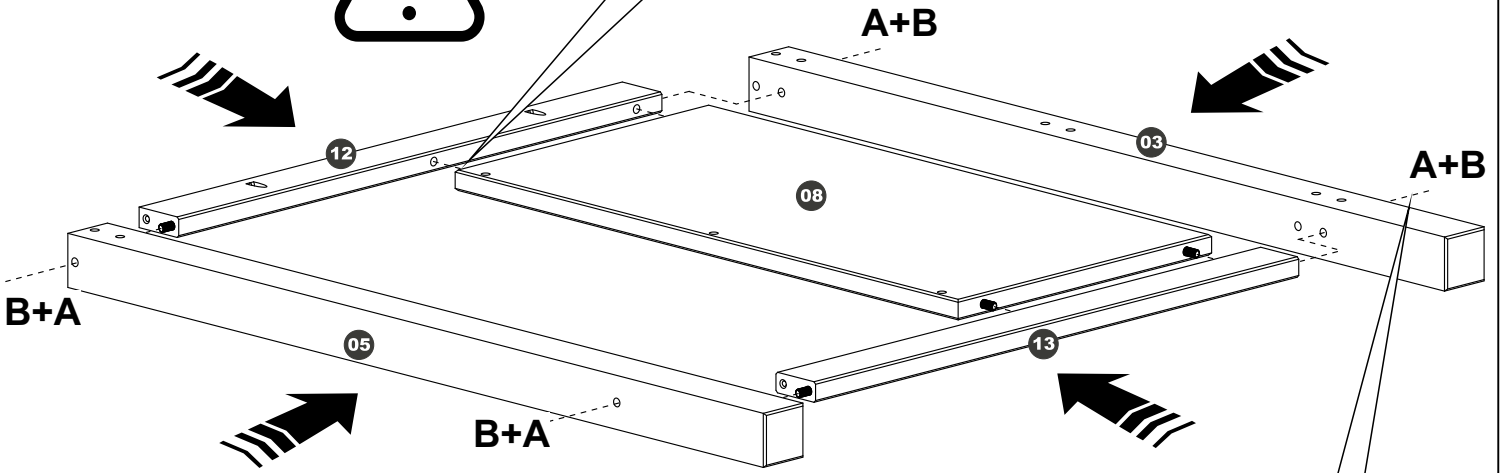
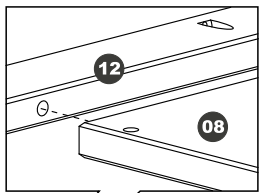


<p>A=16</p>  <p>7,0 x 90mm</p>	<p>B=01</p> 	<p>C=33</p>  <p>4,0 x 35mm</p>	<p>D=04</p> 	<p>E=44</p>  <p>8,0 x 30mm</p>
--	--	--	---	--

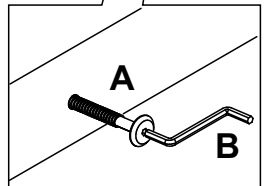
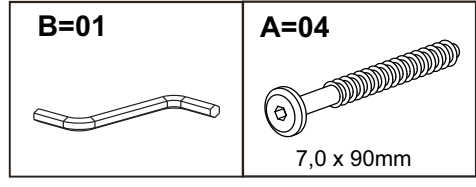
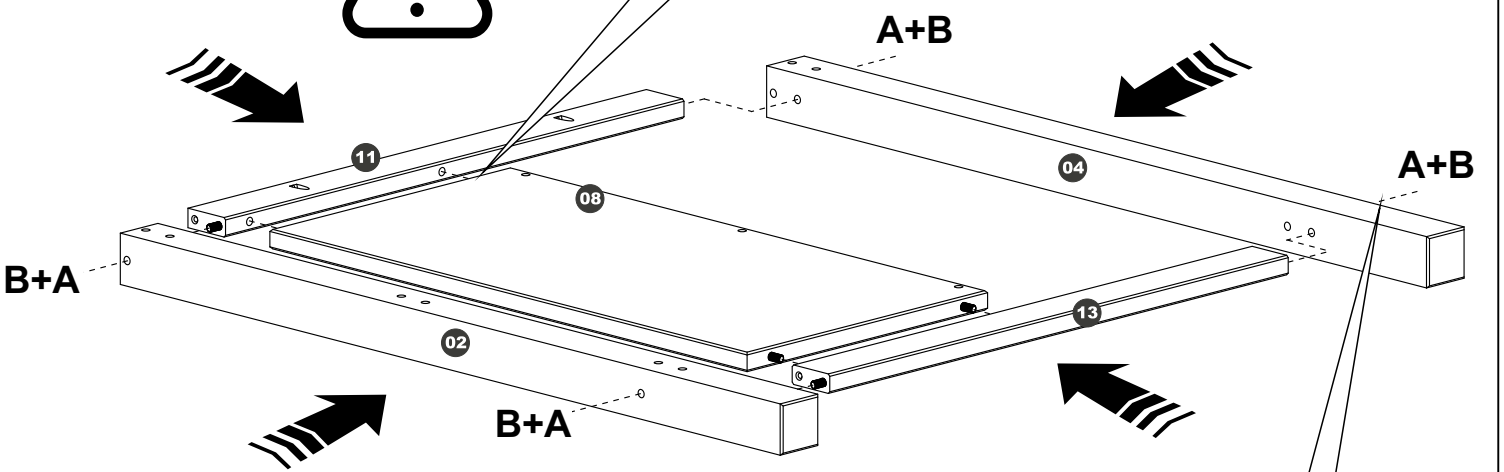
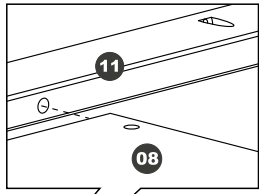
1



2

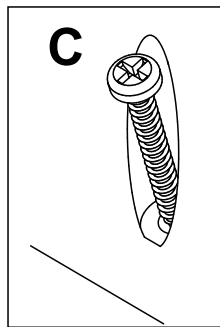
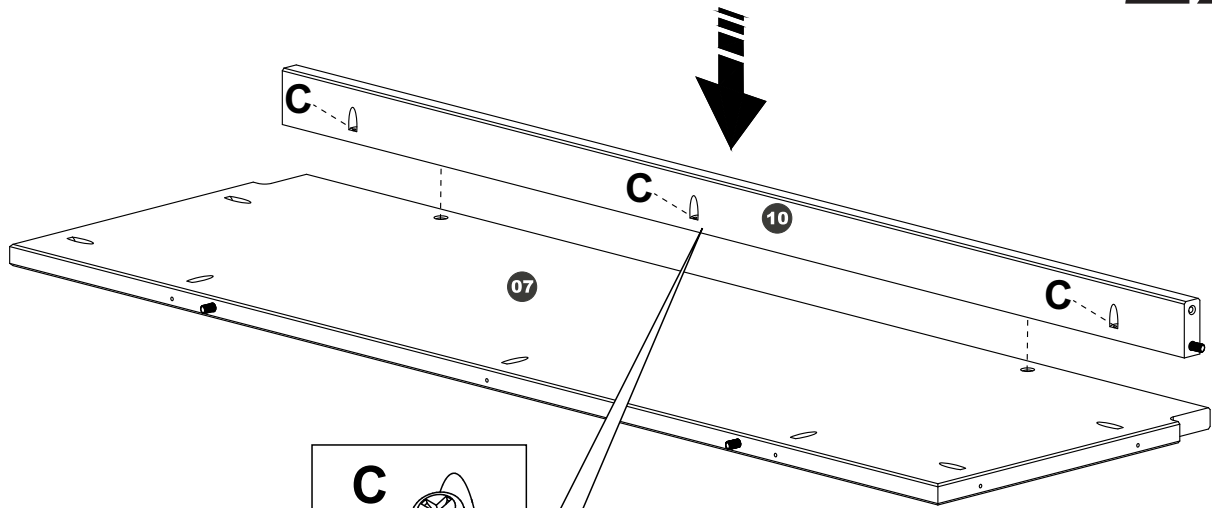


3

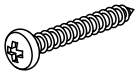


4

2x

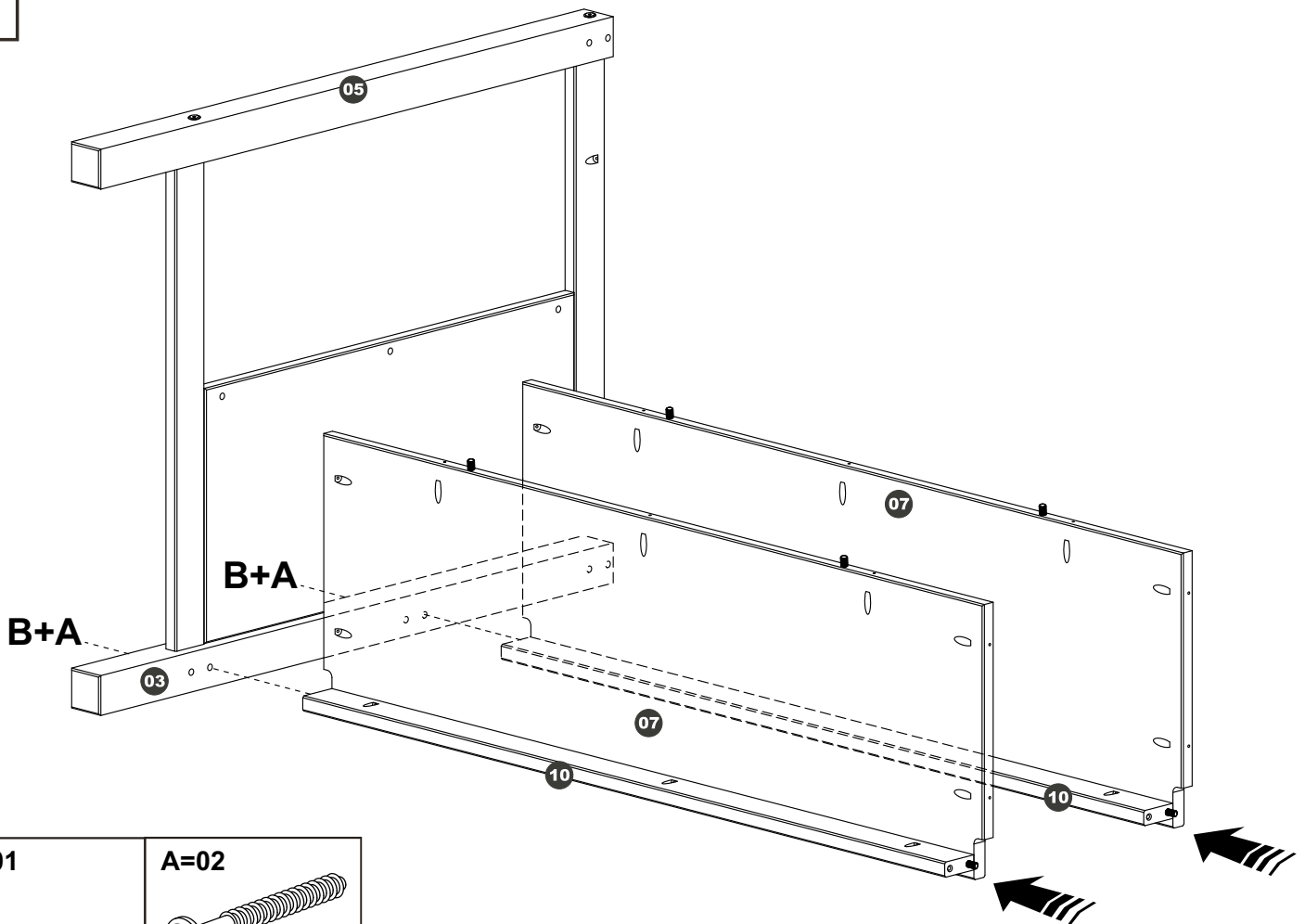


C=06



4,0 x 35mm

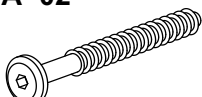
5



B=01

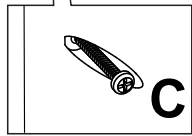
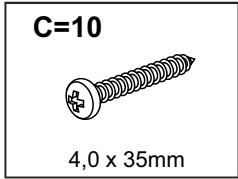
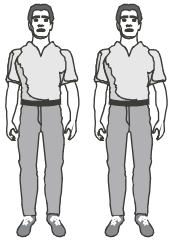
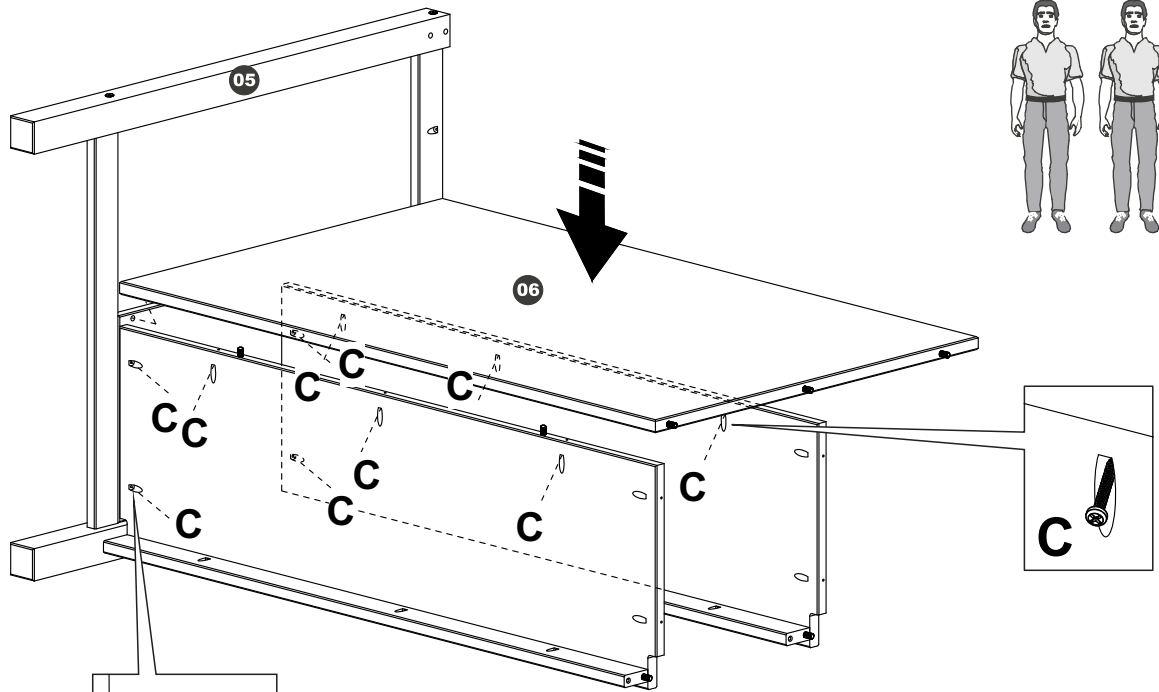


A=02

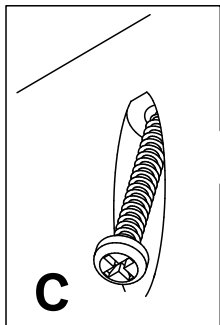
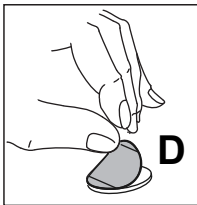
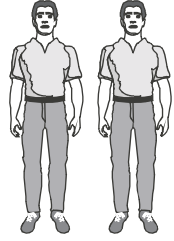
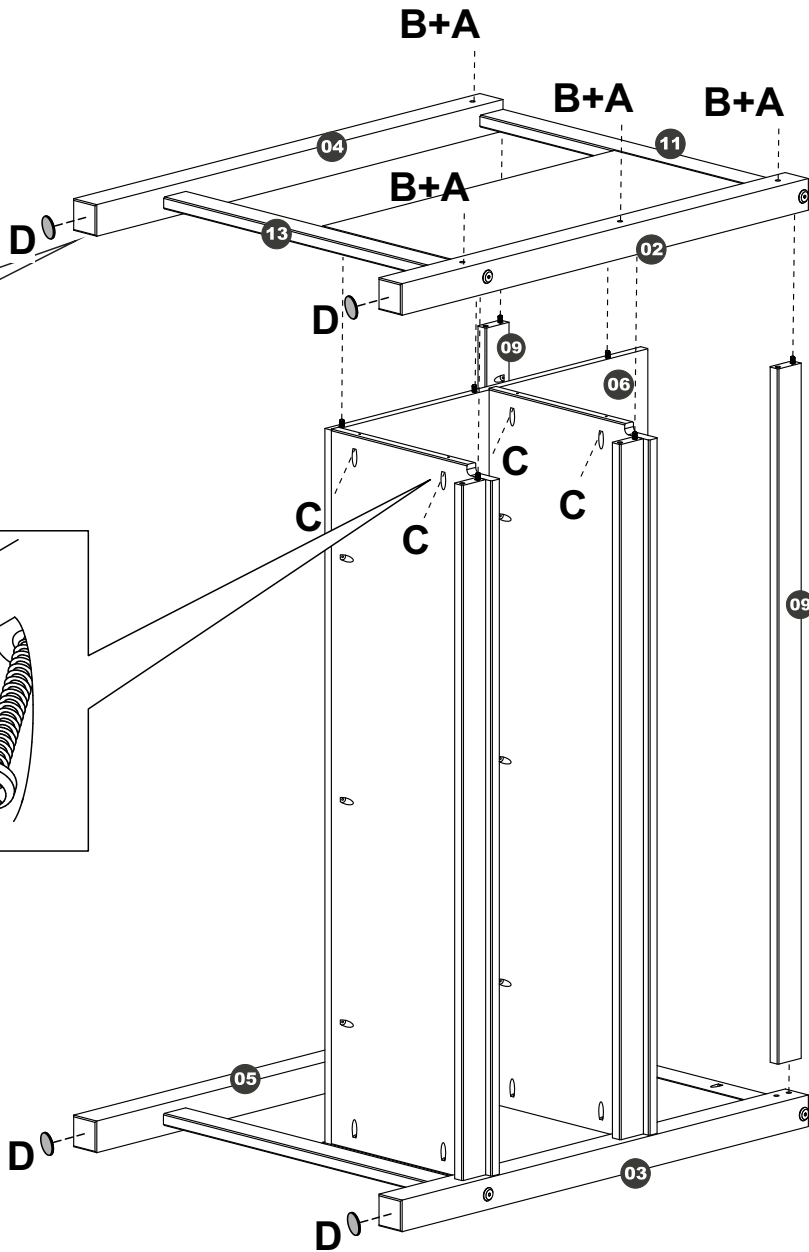


7,0 x 90mm

6

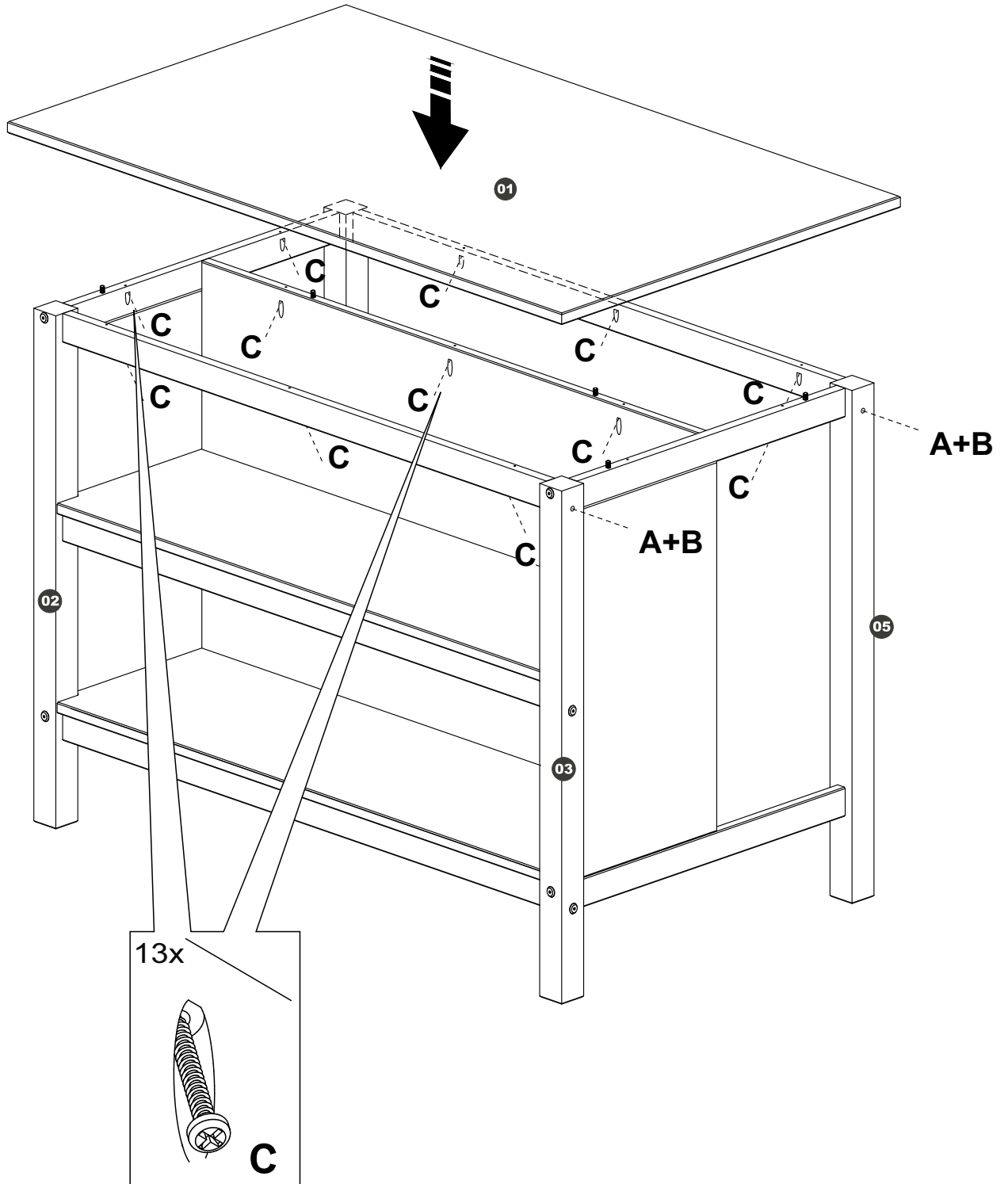
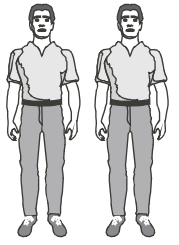



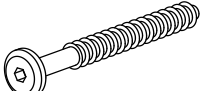

7



<p>B=01</p>	<p>A=04</p> <p>7,0 x 90mm</p>
<p>C=04</p> <p>4,0 x 35mm</p>	<p>D=04</p>

8



B=01 	A=02  7,0 x 90mm	C=13  4,0 x 35mm
---	--	--



12.06.2024 - Rev. 1