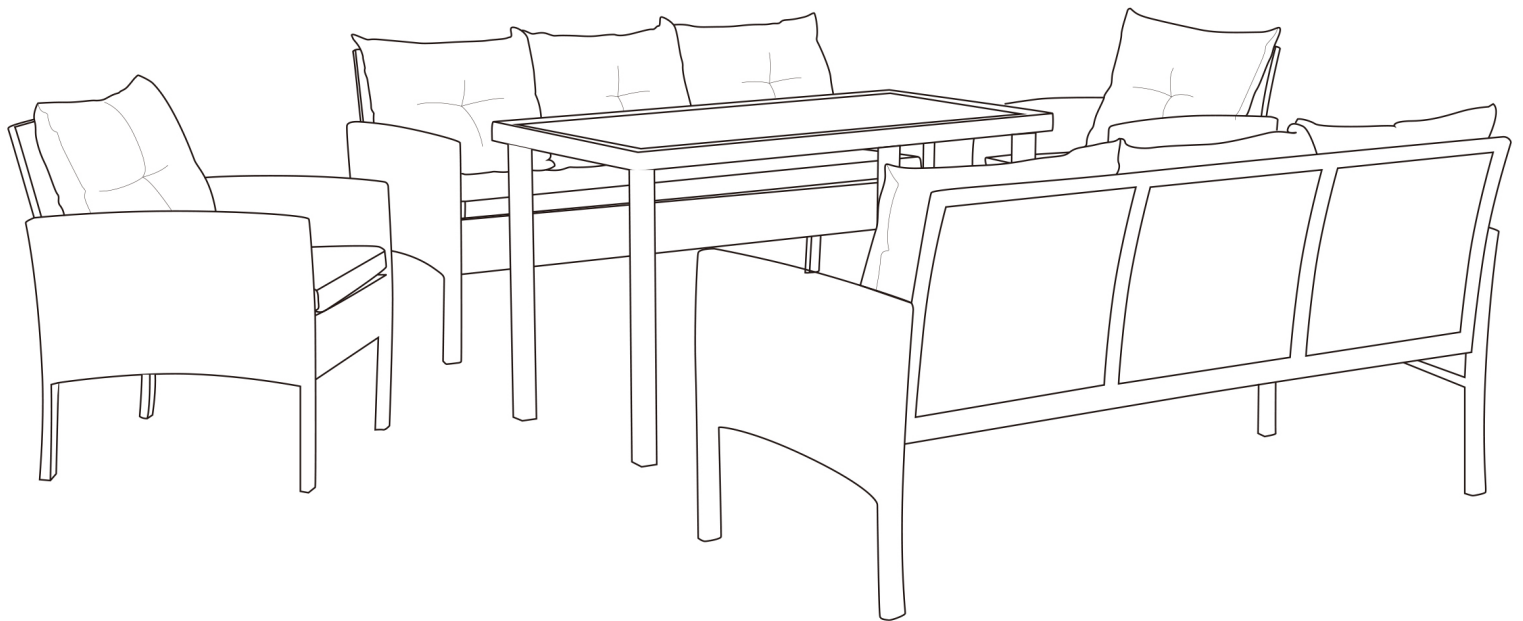
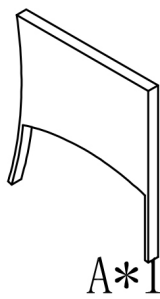
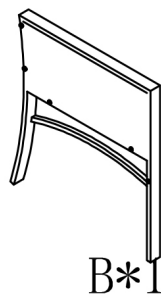


# LERON

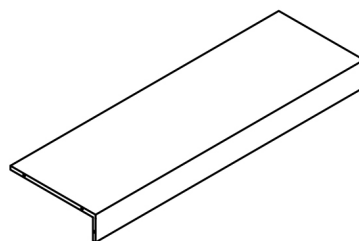




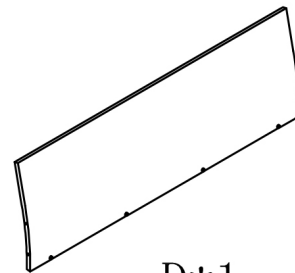
A\*1



B\*1



C\*1

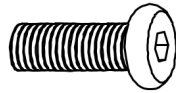


D\*1



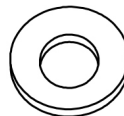
E\*10

M6\*40mm



F\*4

M6\*35mm

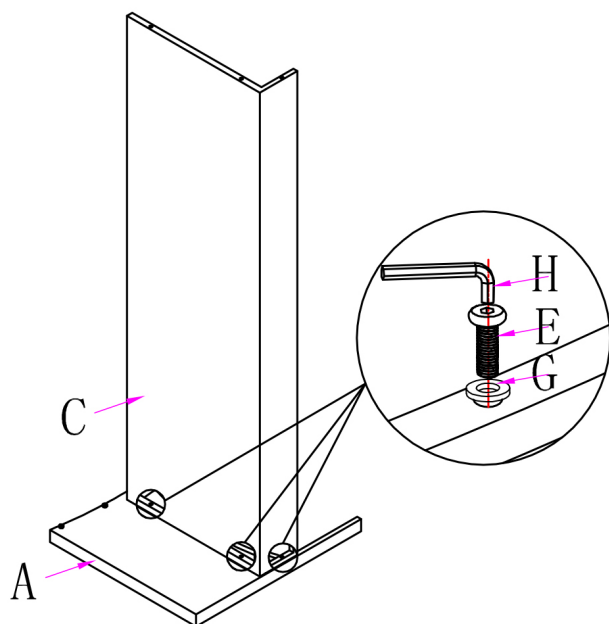


G\*14

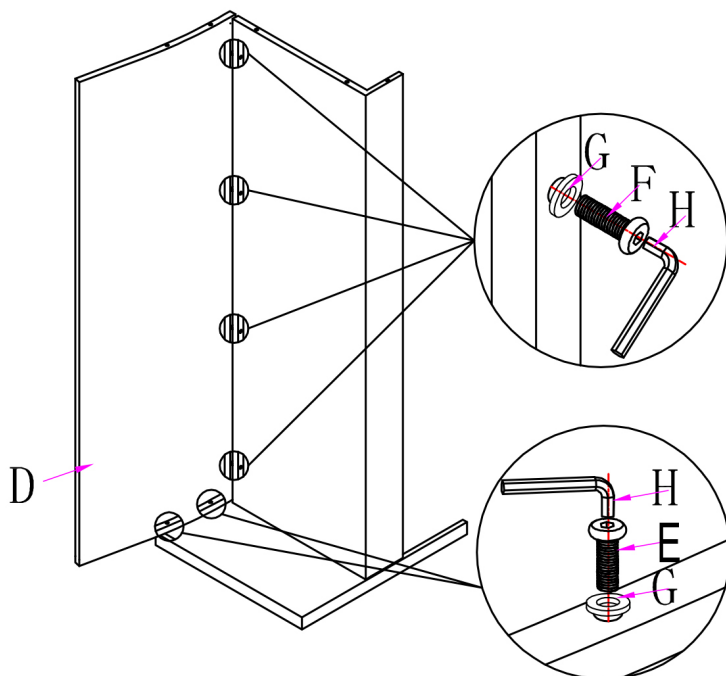


H\*1

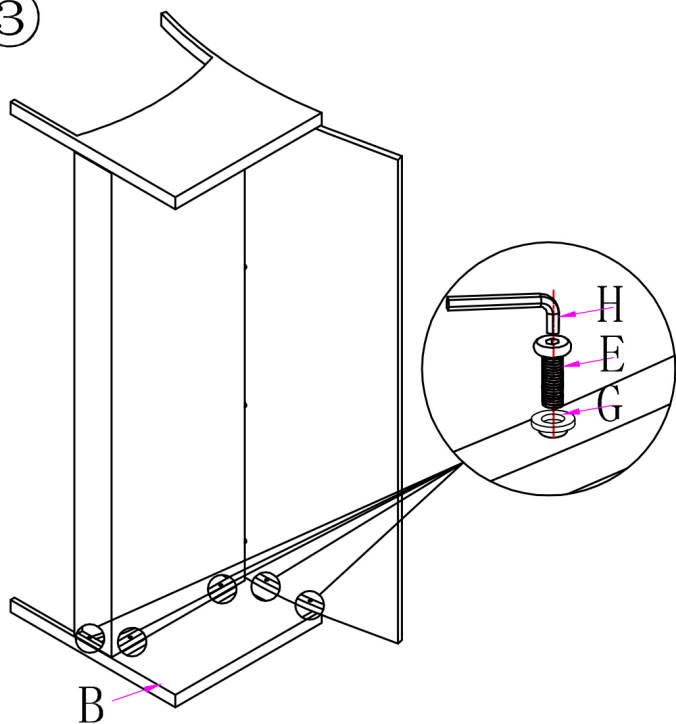
①



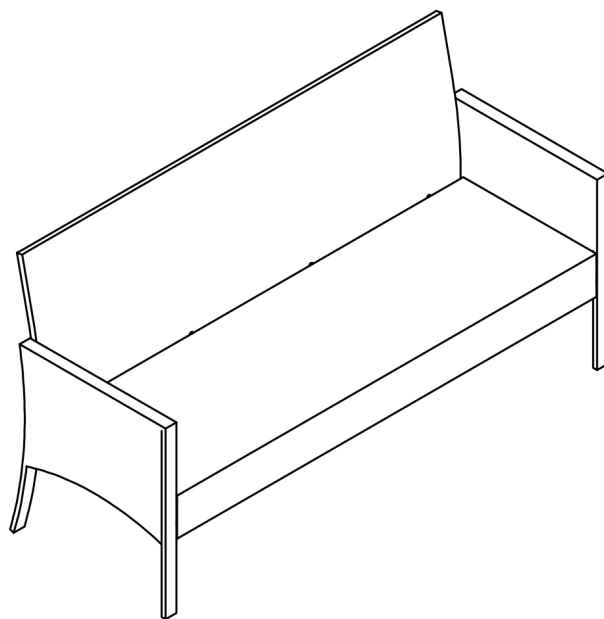
②

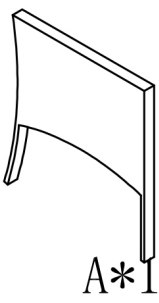


③

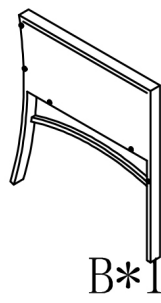


④

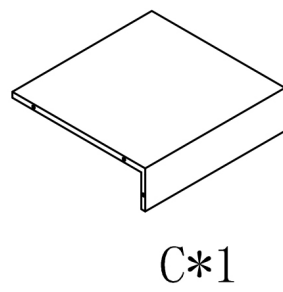




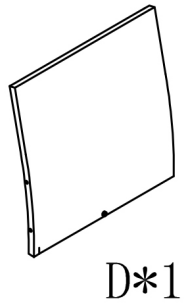
A\*1



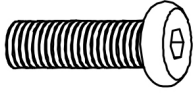
B\*1



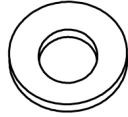
C\*1



D\*1



E\*11  
M6\*40mm

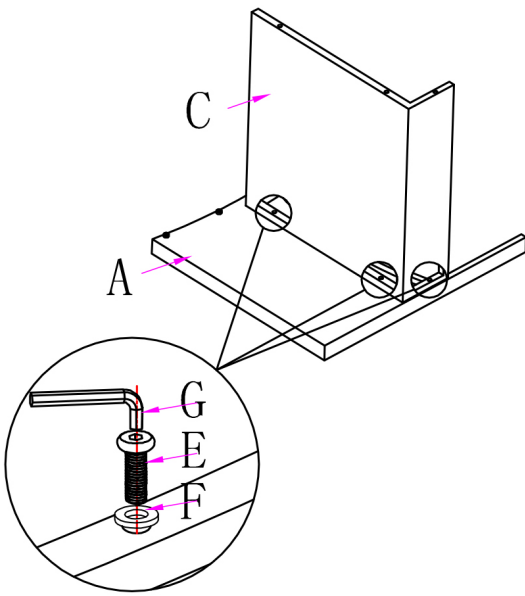


F\*11

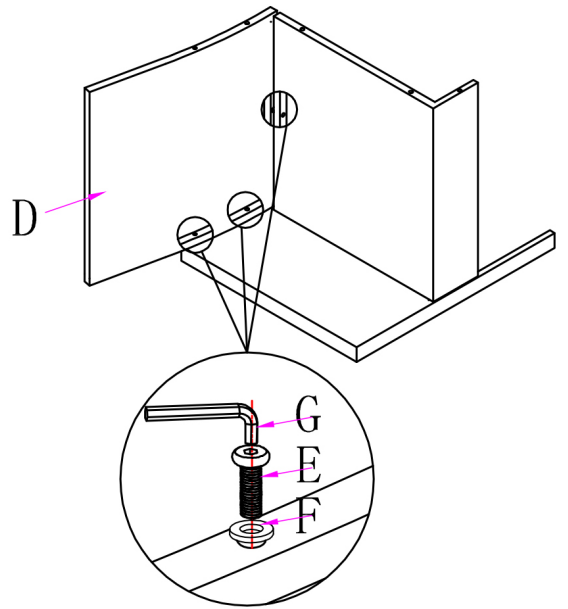


G\*1

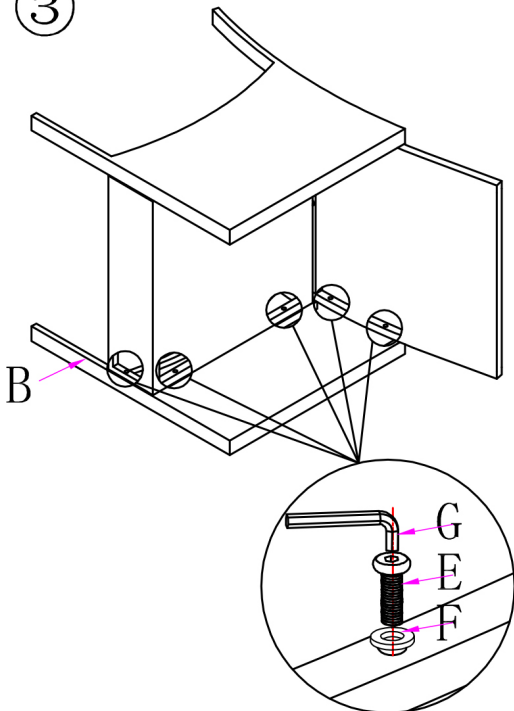
①



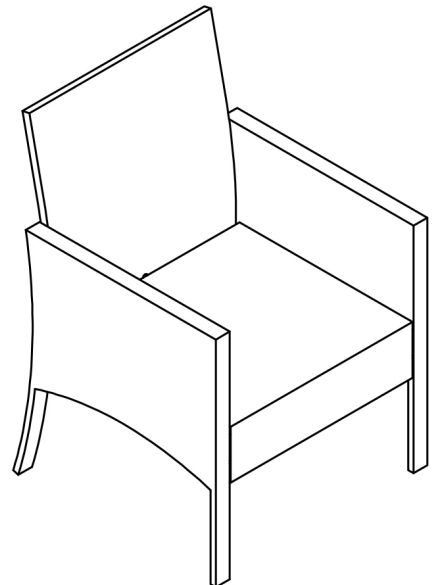
②

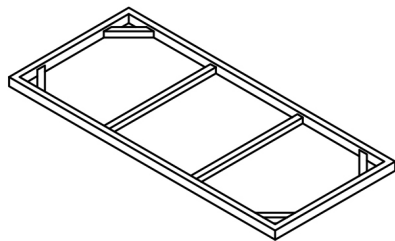


③

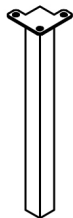


④

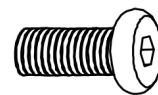




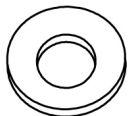
A\*1



B\*4



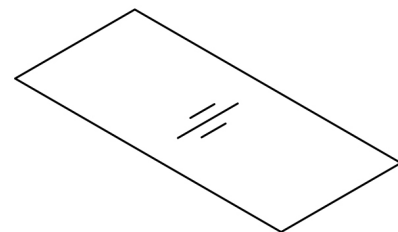
C\*12  
M6\*15mm



D\*12

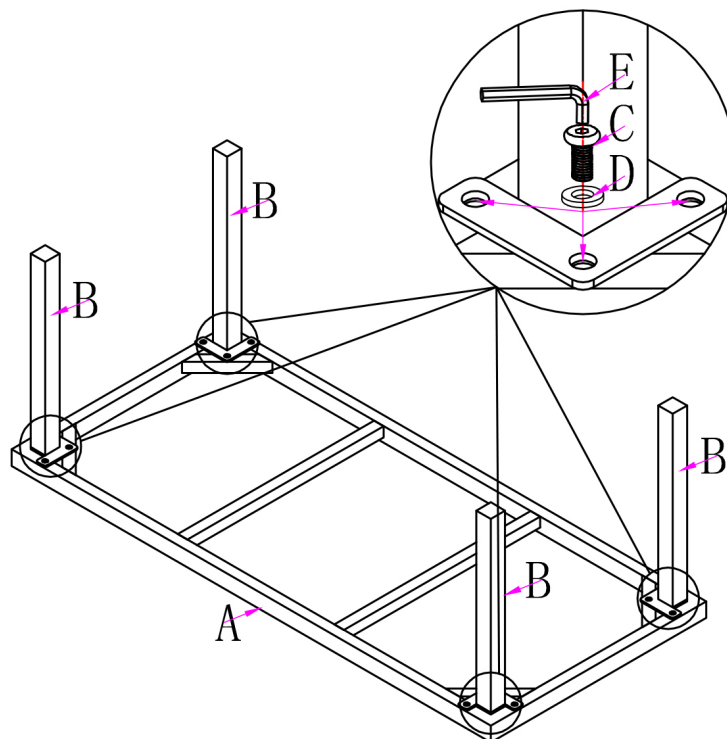


E\*1



F\*1

①



②

