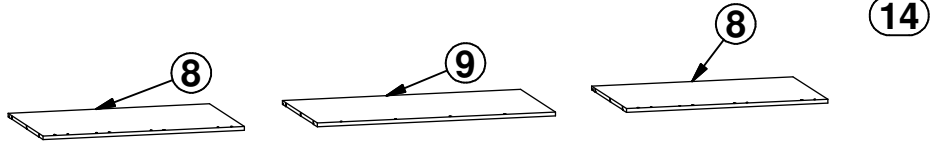
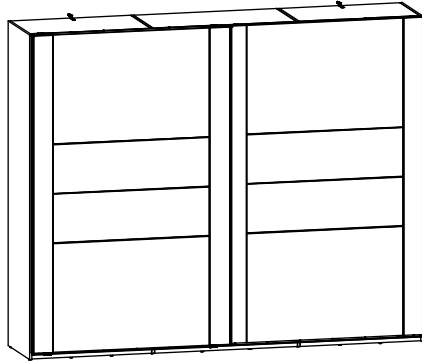
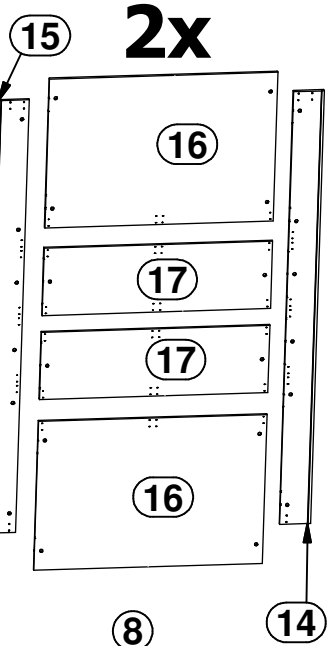
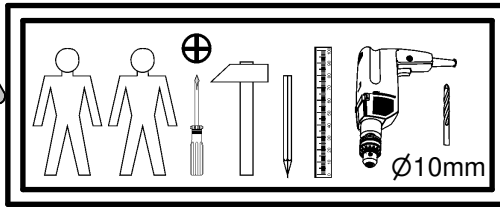
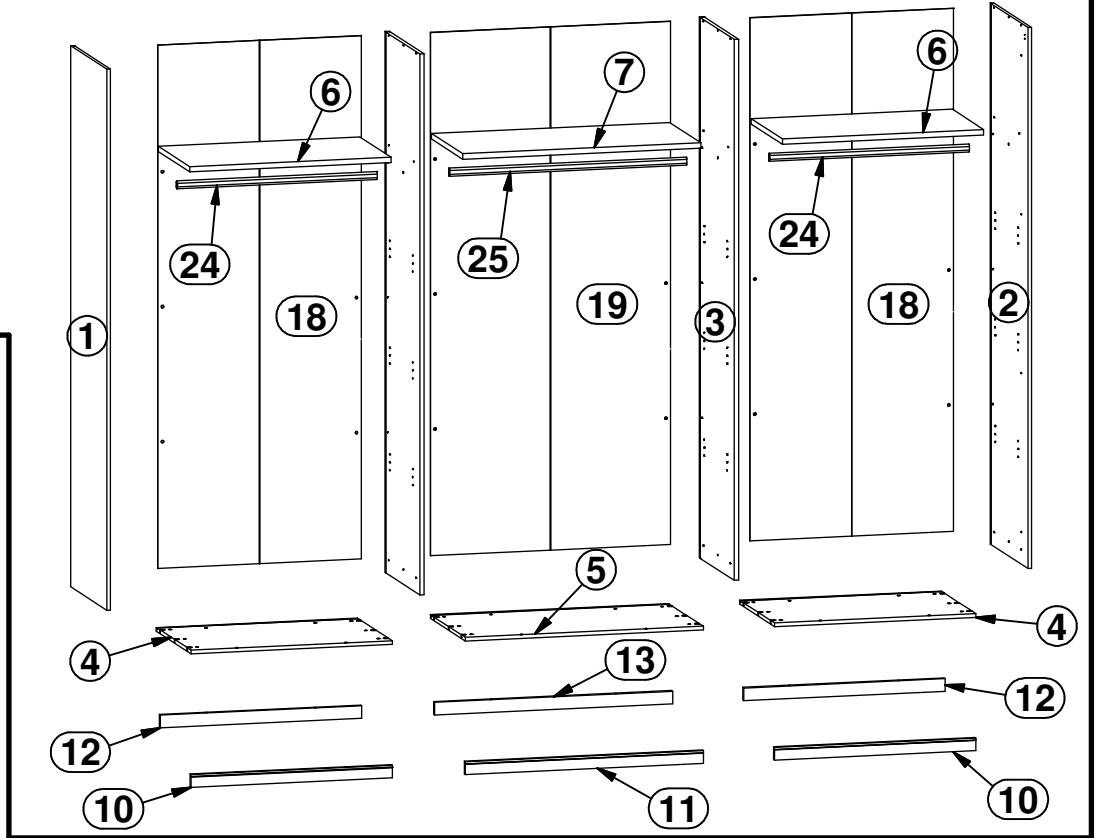


A	B	C	D	
1	L99-1007_A	2180	551	1/7
2	L99-1008_A	2180	580	1/7
3	L99-1009	2179	535	2/7
4	L99-3003	827	535	4/7
5	L99-3004	979	535	4/7
6	L99-3005	827	480	3/7
7	L99-3006	979	480	3/7
8	L99-3009/A	827	535	4/7
9	L99-3010/A	979	535	4/7
10	L99-4010/A	827	51	3/7
11	L99-4011/A	979	51	3/7
12	L99-4012	827	51	3/7
13	L99-4013	979	51	3/7
14	L99-7006/A	2130	145	7/7
15	L99-7007/A	2130	145	7/7
16	L99-7010	1074	733	6/7
17	L99-7012	1074	332	7/7
18	L99-9301	2108	837	1/7
19	L99-9302	2108	987	2/7
24	dr-821x30	821	30	5/7
25	dr-975	975	30	5/7
47	Eg-sp_2130	2130	4,8	5/7

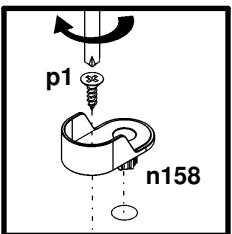
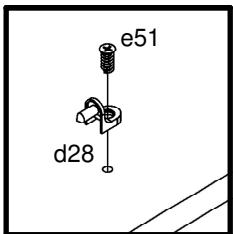
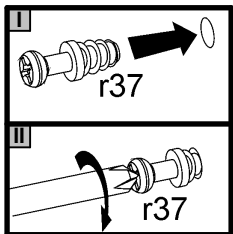
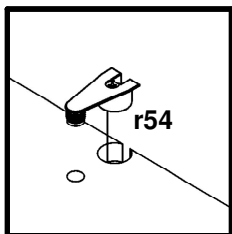
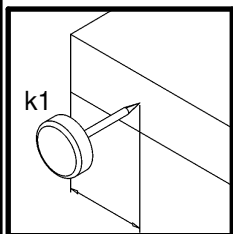
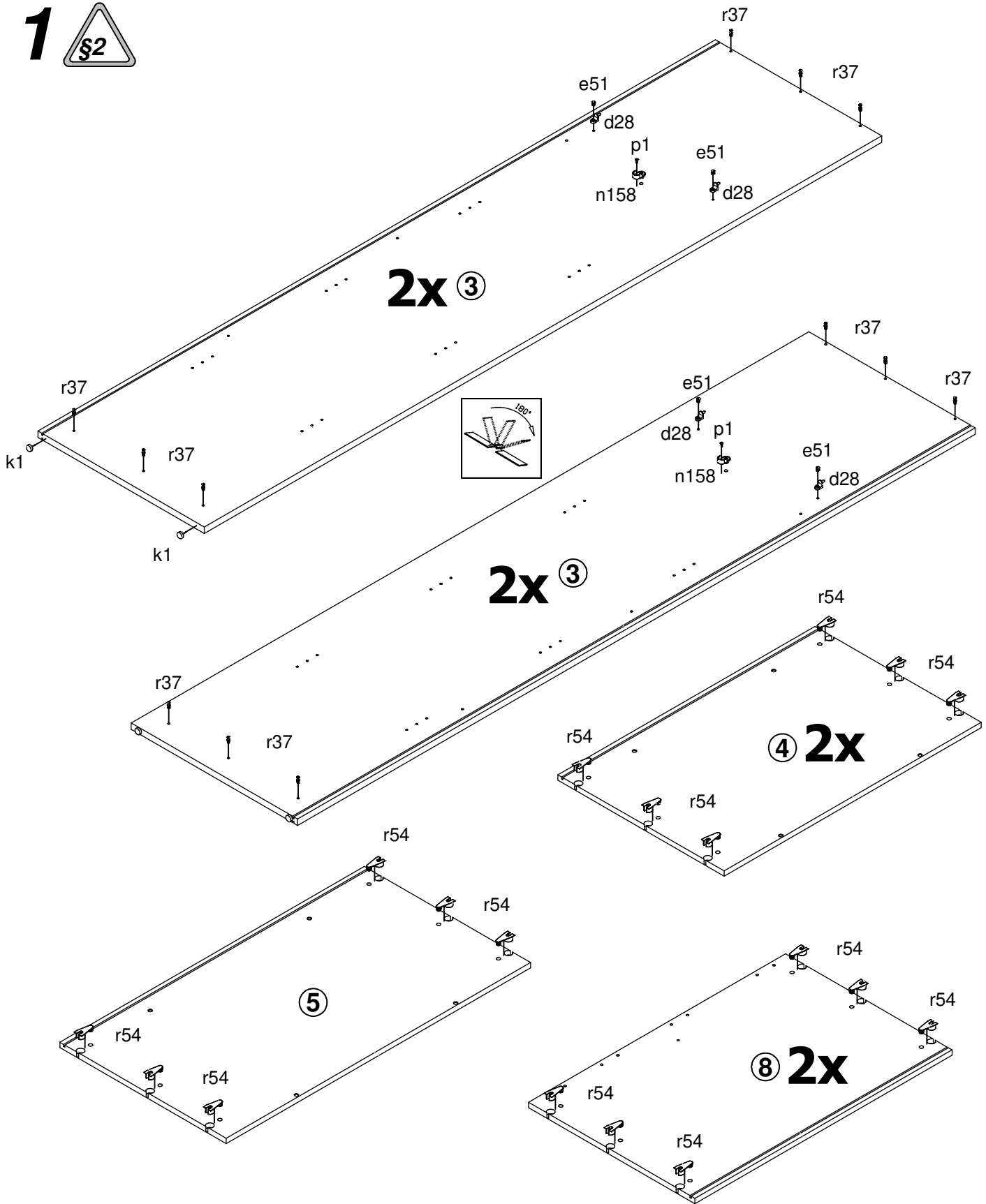


24x d20	12x d28
12x Ø7x50 mm e1	24x Ø6.3x13 mm e5
24x Ø6.3x10 mm e50	12x Ø6.3x10 mm e51
2x Ø10x50 mm f35	32x Ø8x50 mm f6
2x f69	2x f70
1x f71	1x f72

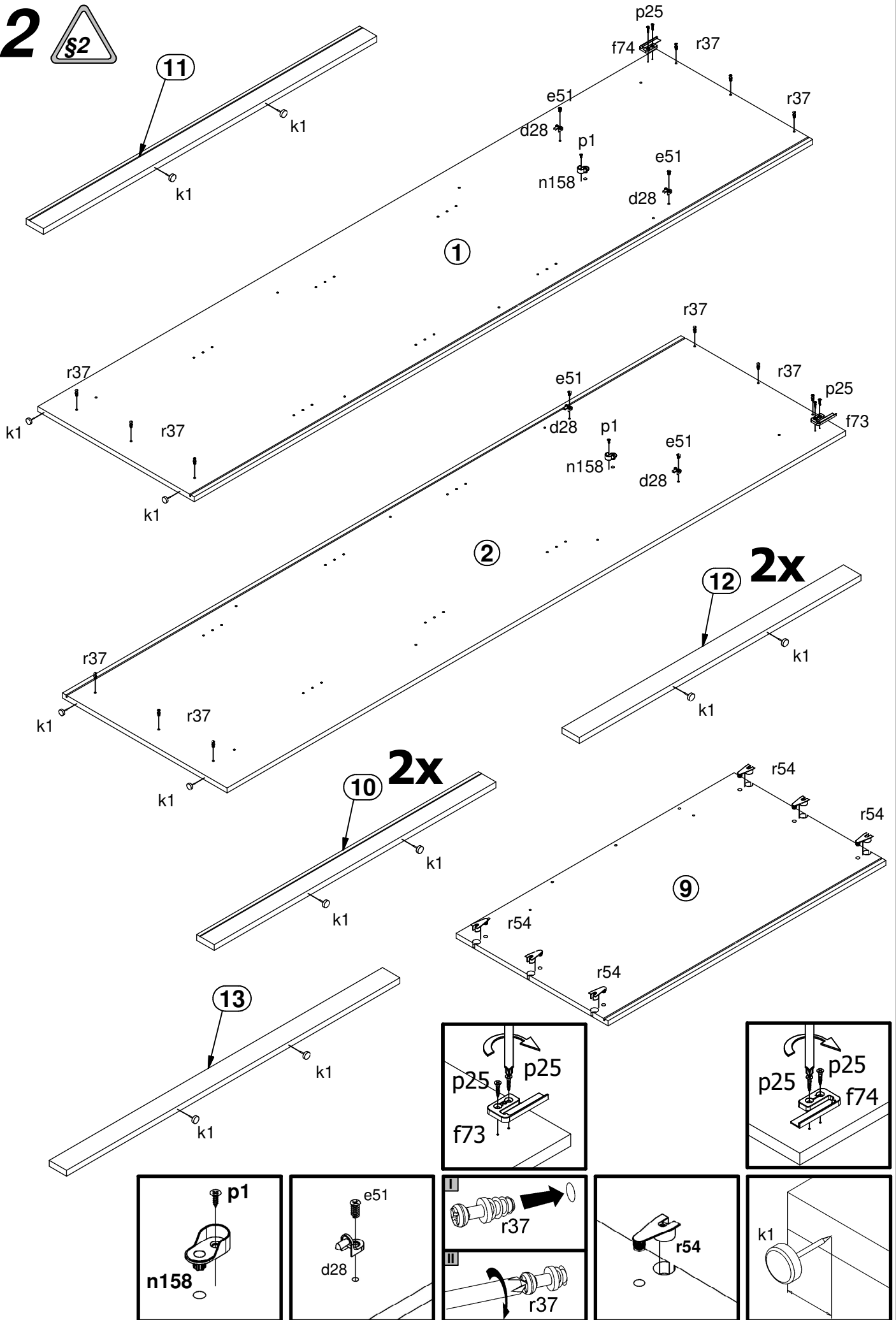


1x f73	1x f74	2x f75	2x f76	4x f77	11x M4x10 mm j106	11x Ø5x15 mm j140	2x j196	11x M4x5 mm j84
20x k1	30x l2	8x l63	2x 88x21x15x1.5 n14/2	6x n158	18x 110x50x2 mm n180	1x n238/2	1x n239/2	1x n240
1x n241/2	6x Ø3.5x13 mm p1	2x Ø5x60 mm p17	14x Ø3.5x16 mm p25	4x Ø3.5x16 mm p38	192x Ø4x13 mm p93	48x Ø15x12 mm #16 r1	24x r10	36x 6.7x7.8 r37
36x Ø20x12.5 mm #16 r54	1x L=2668 w249\1	1x L=2664 w250\1	3x L=2130 w172\5	1x L=2130 mm w118\8	2x s113	12x s1	1x 4 mm z1	1x 5 mm z17

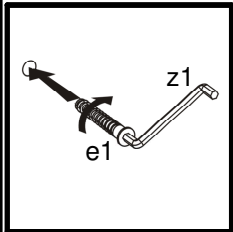
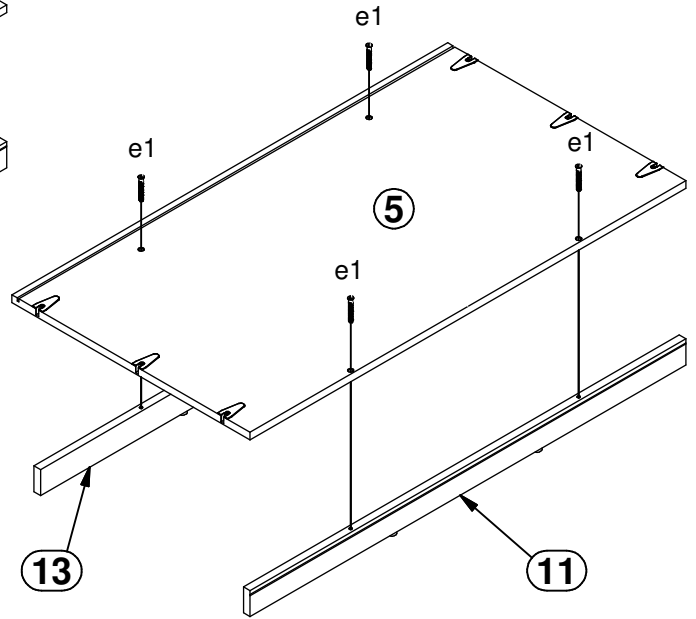
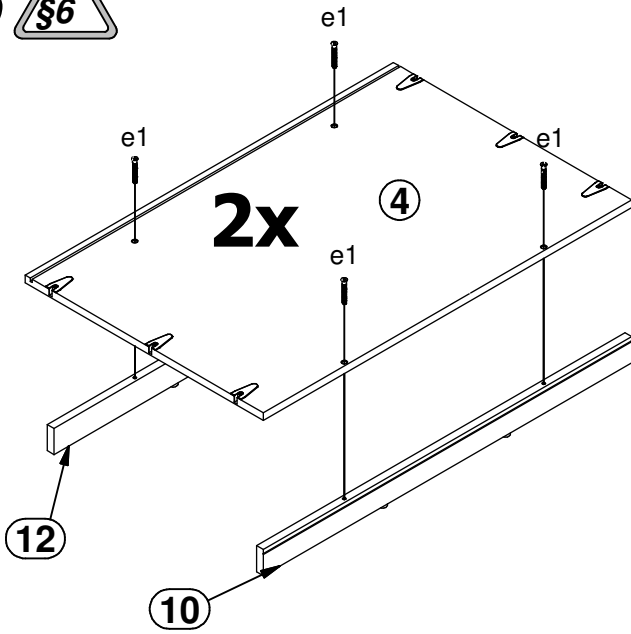
1 



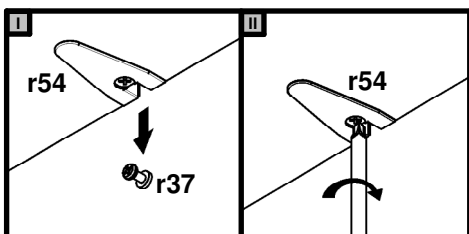
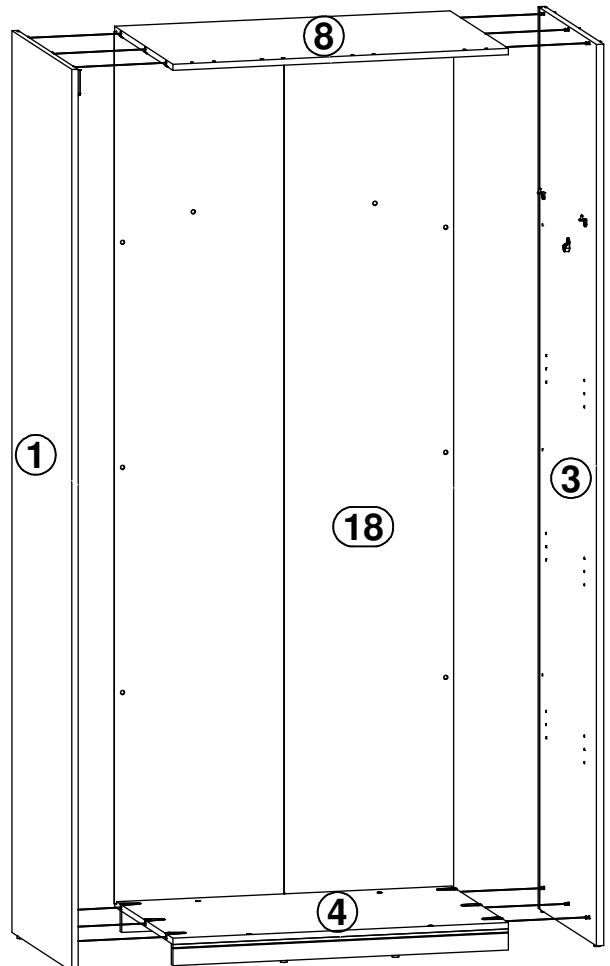
2



3 



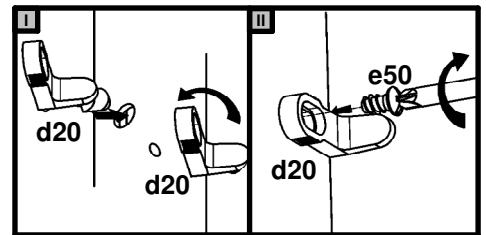
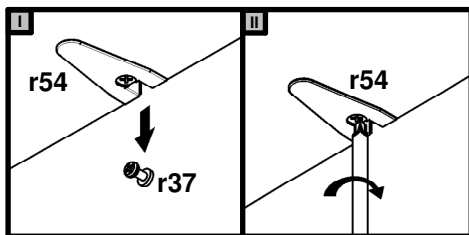
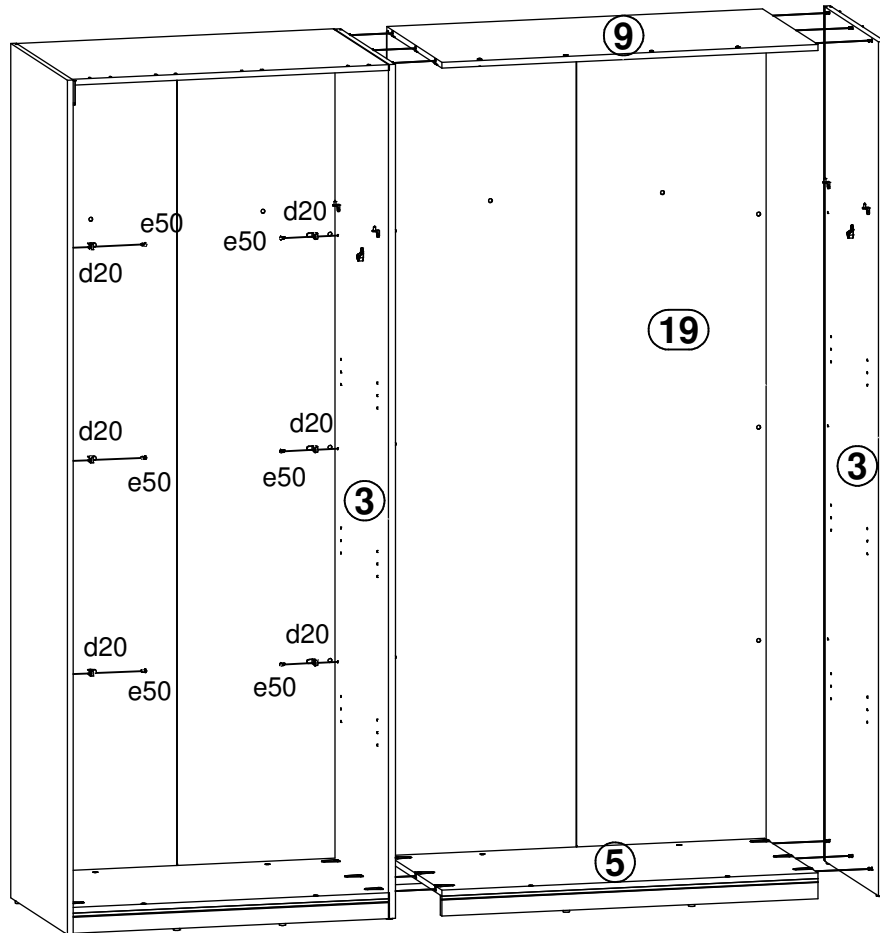
4 



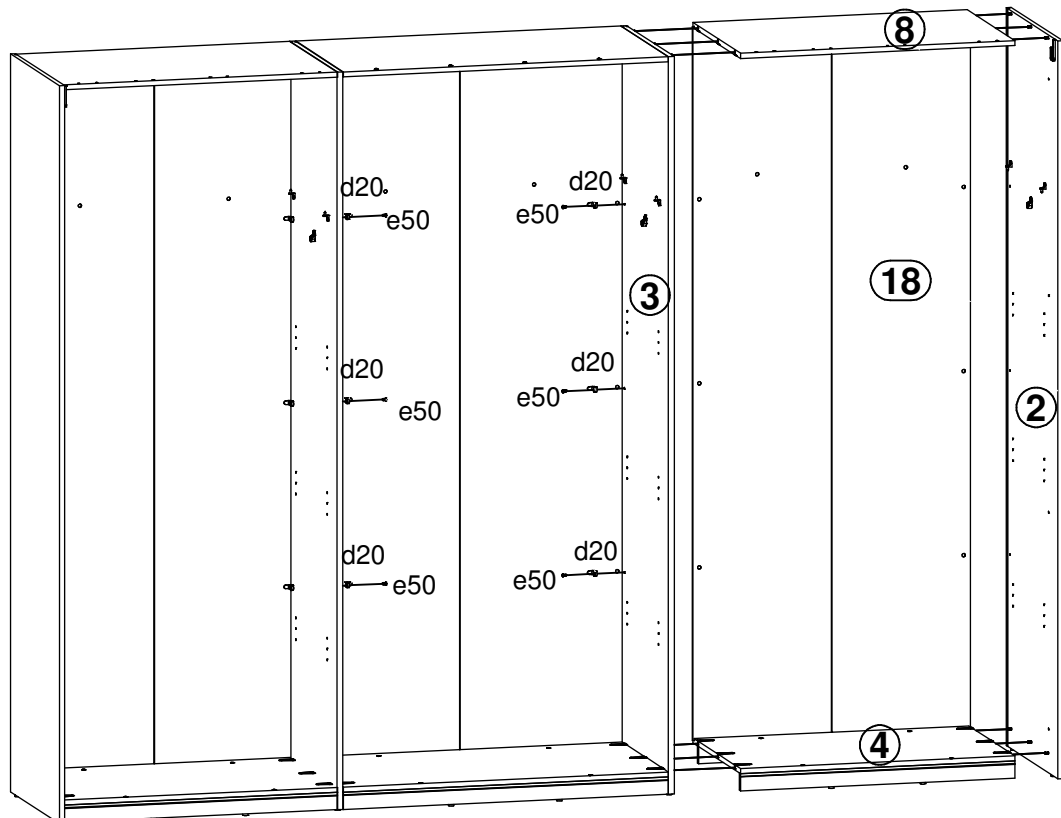
5



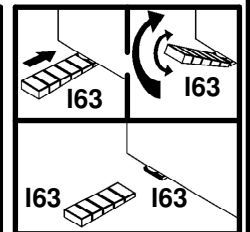
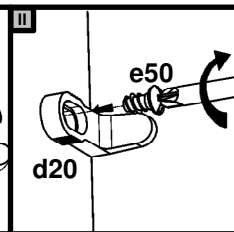
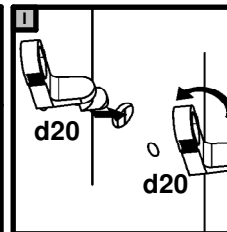
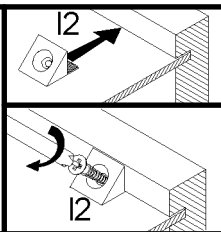
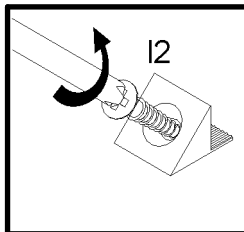
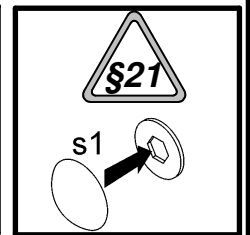
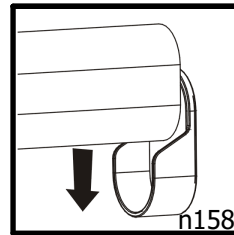
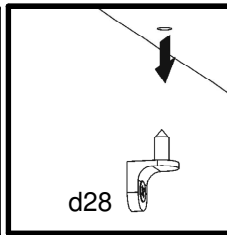
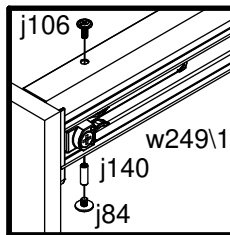
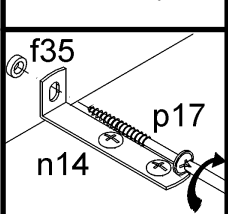
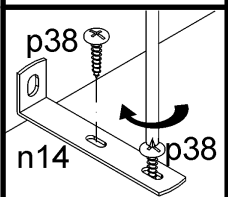
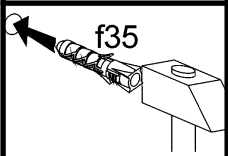
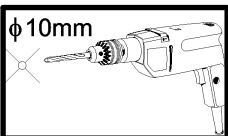
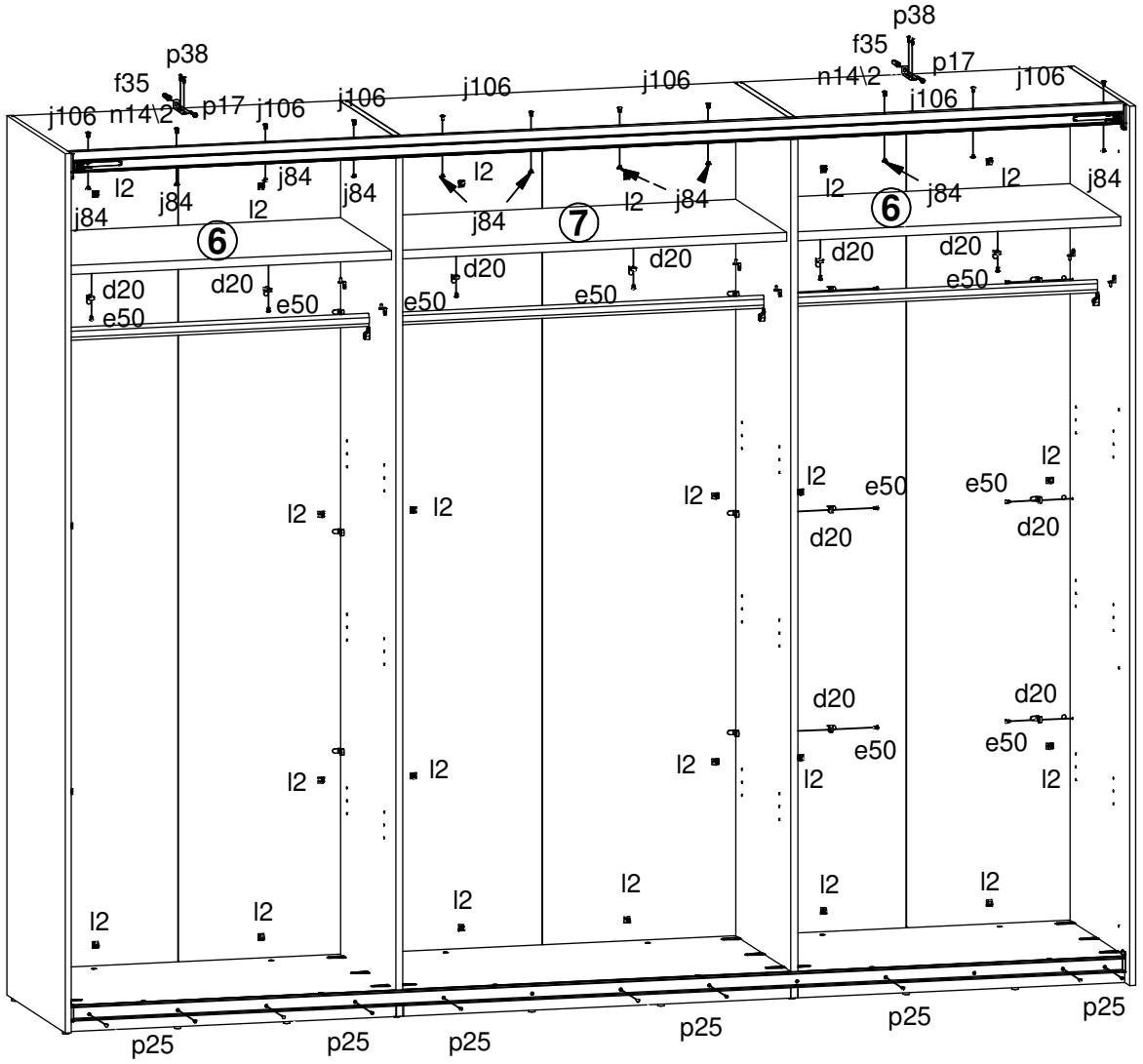
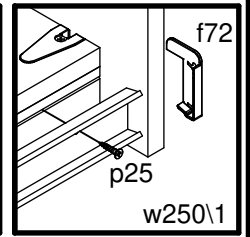
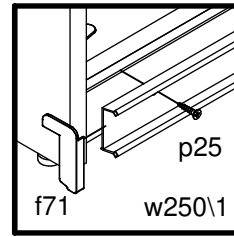
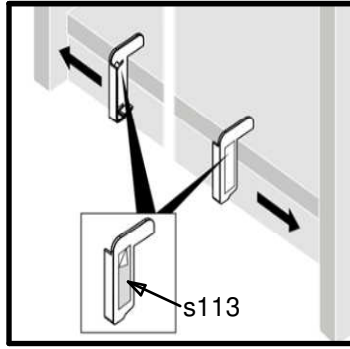
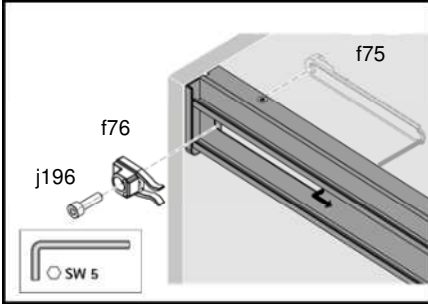
I



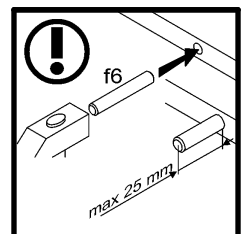
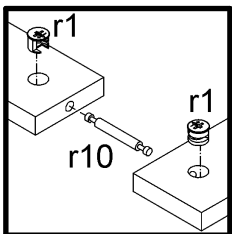
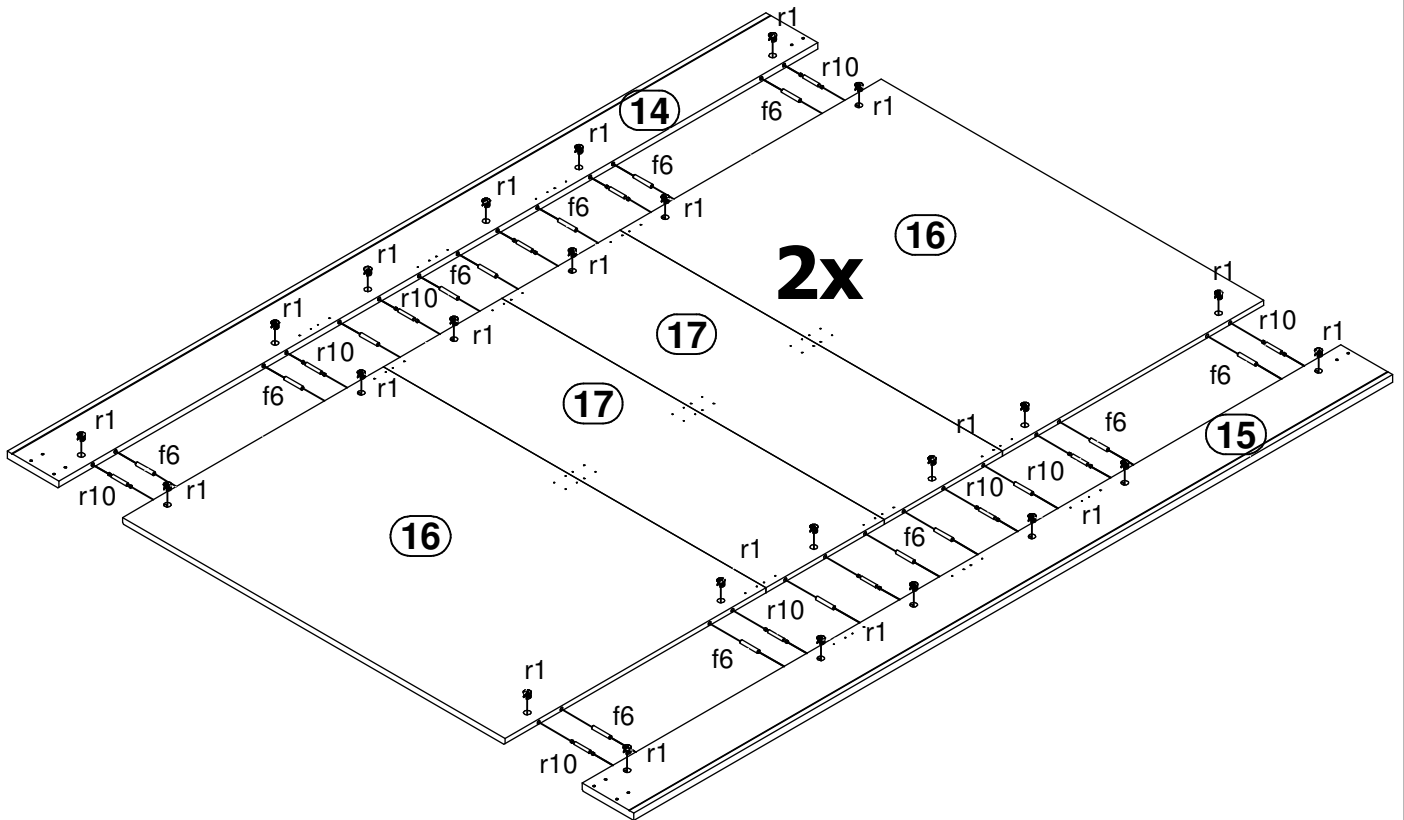
II



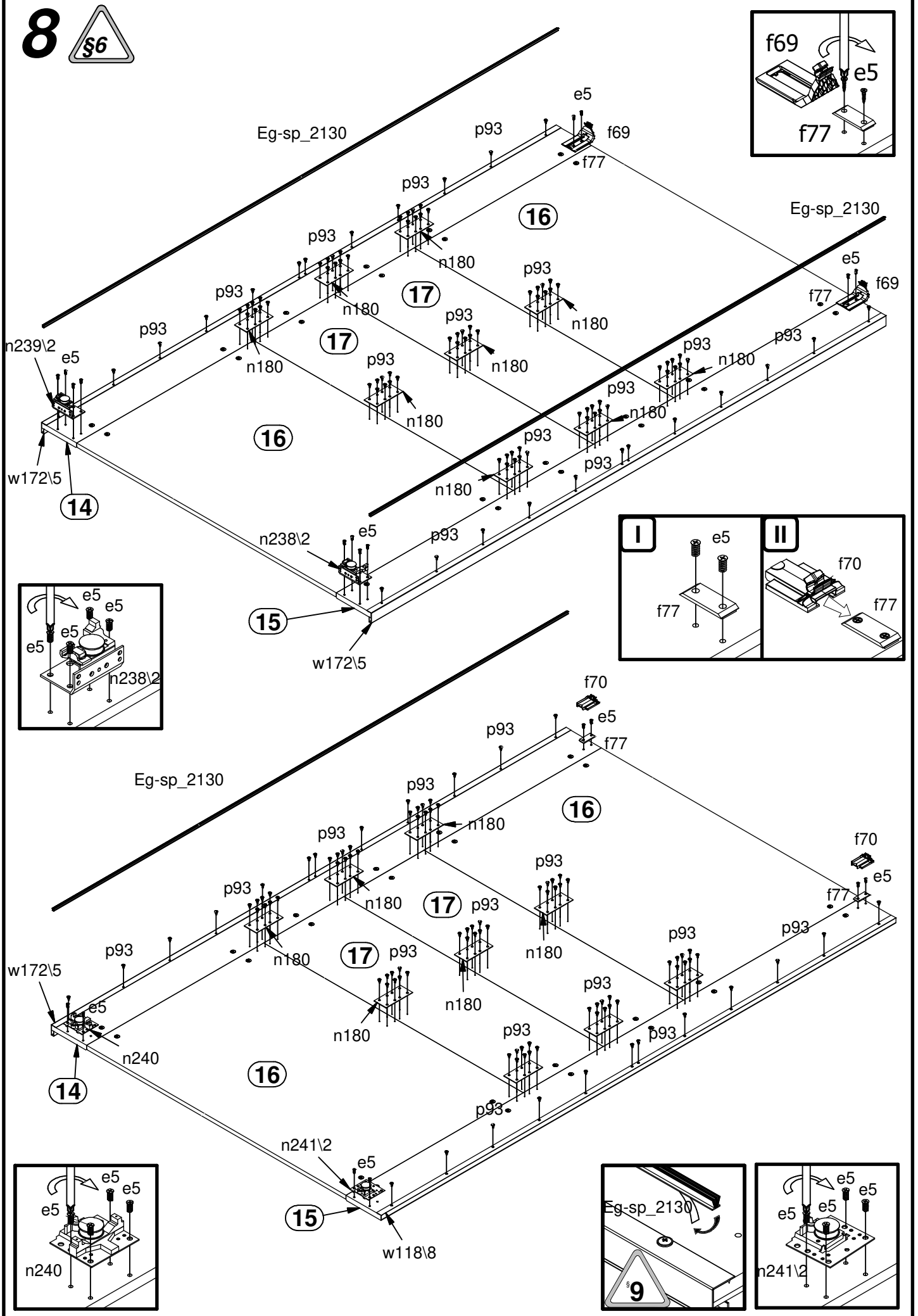
6



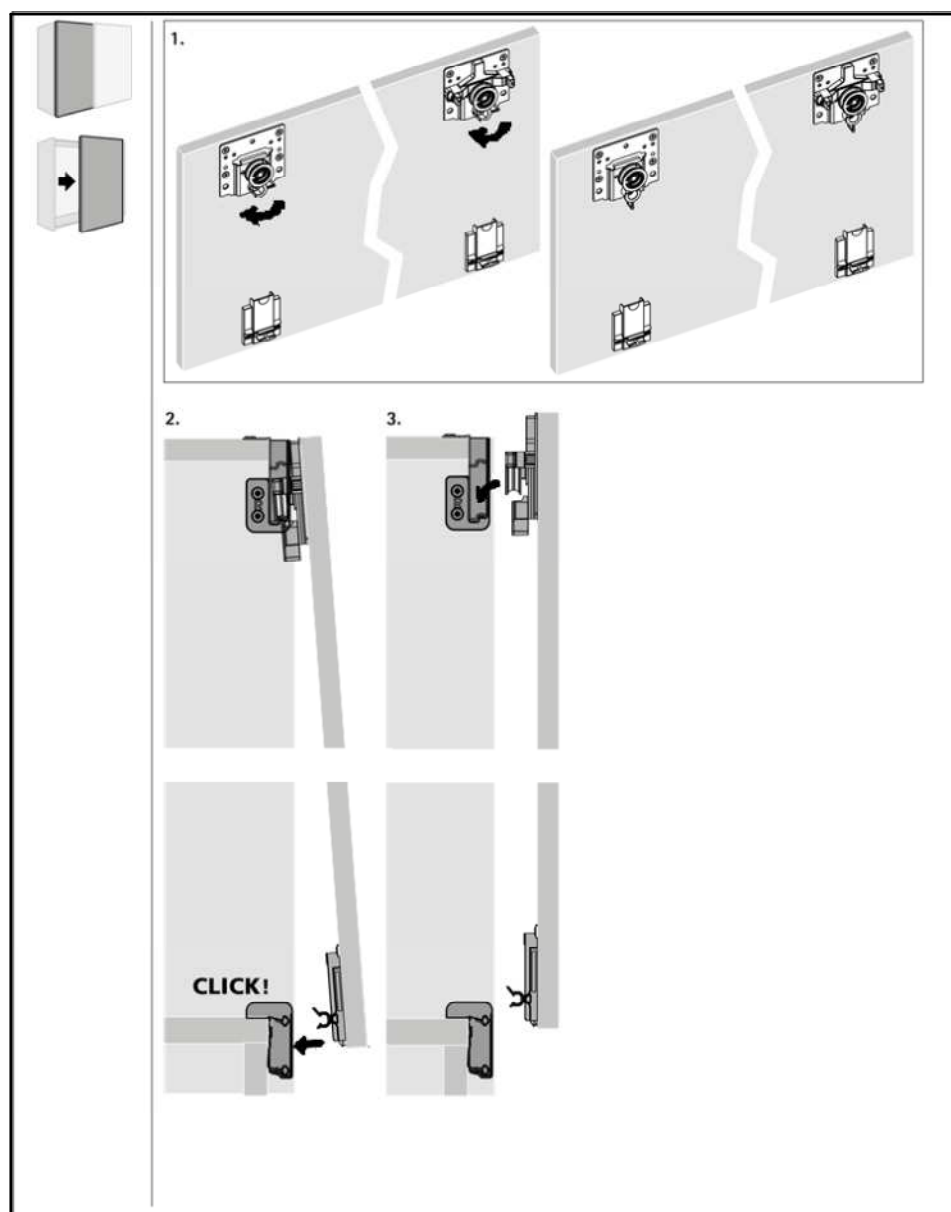
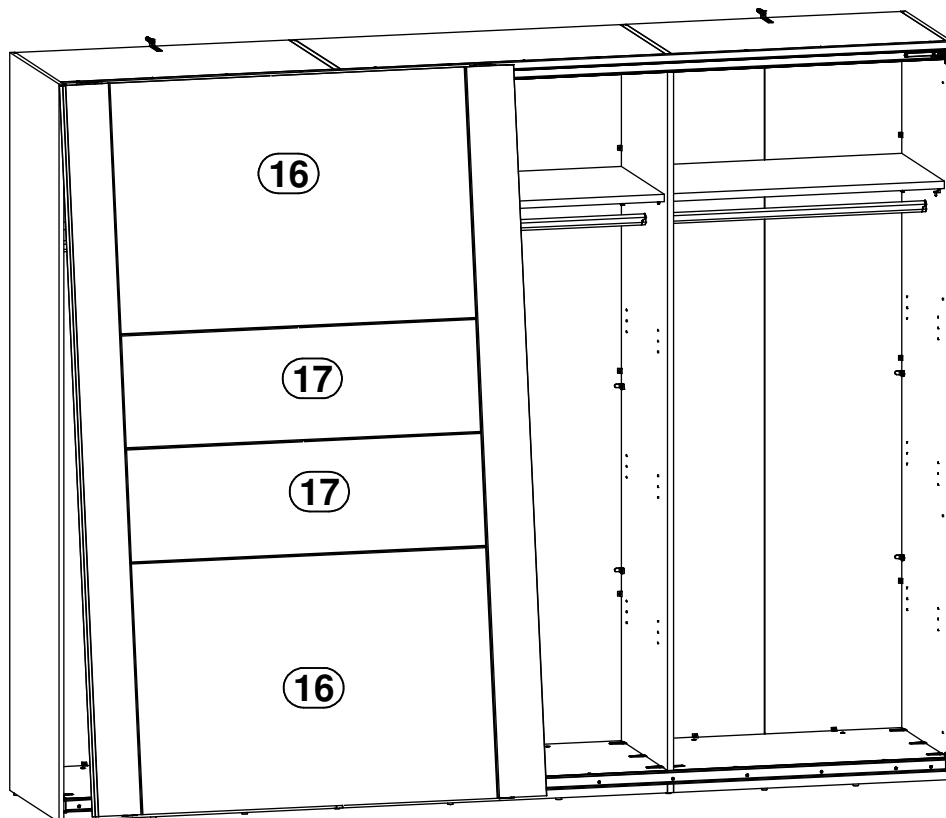
7



8



9



10

