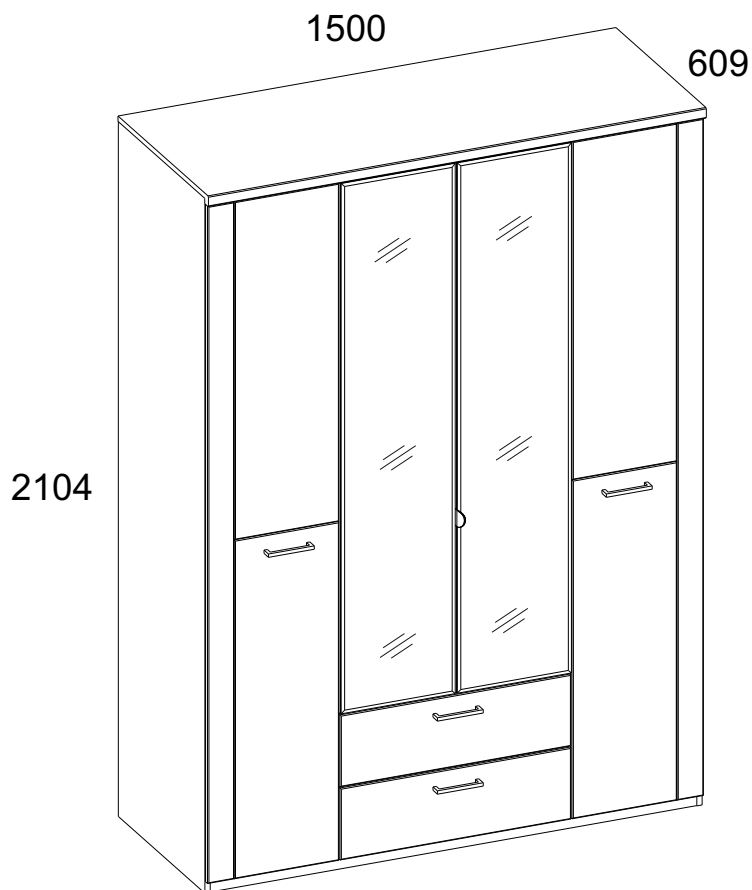
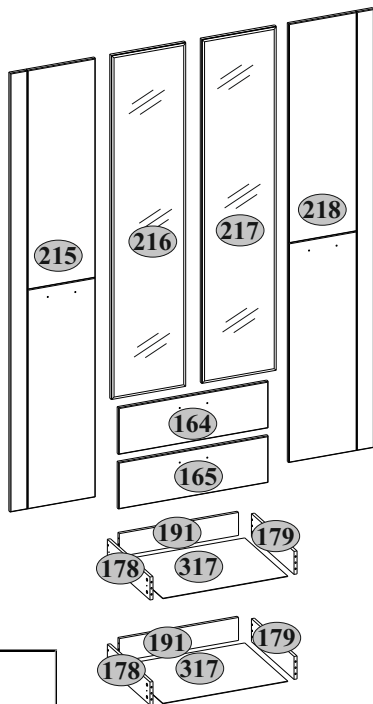
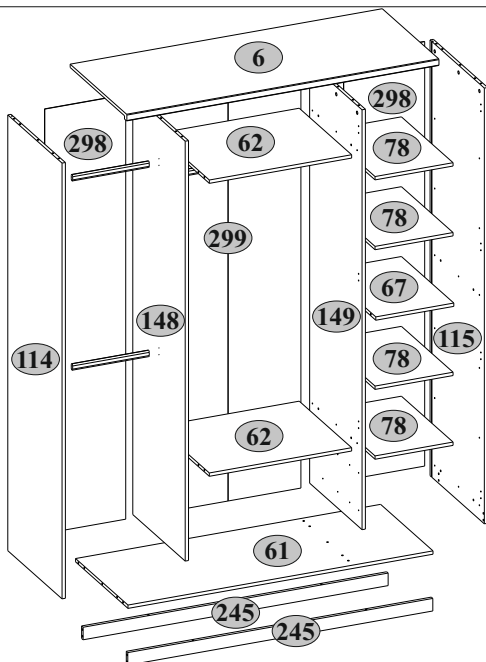
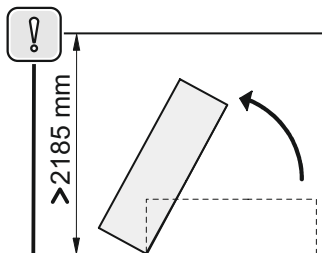
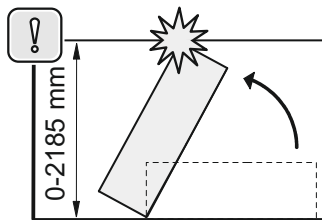


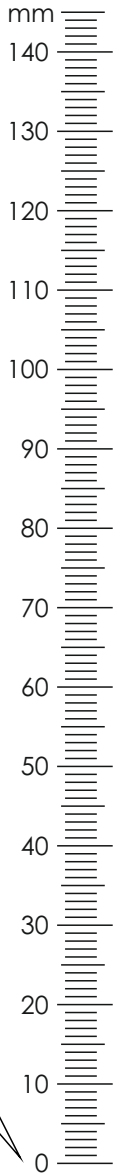
DORSI 4D2S




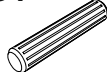
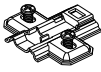
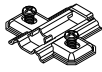
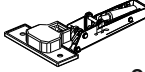
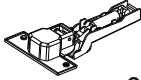








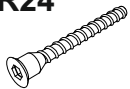



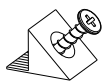
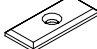

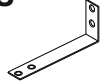

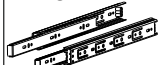


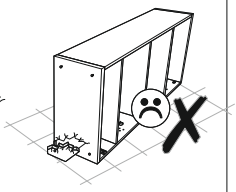
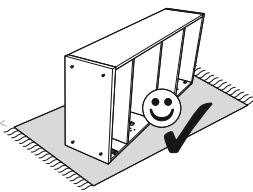
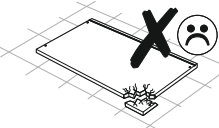
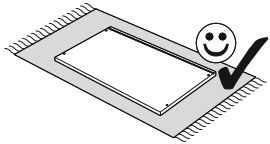
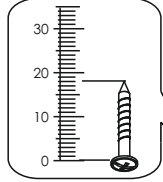
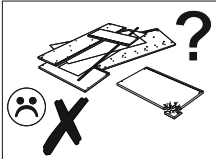
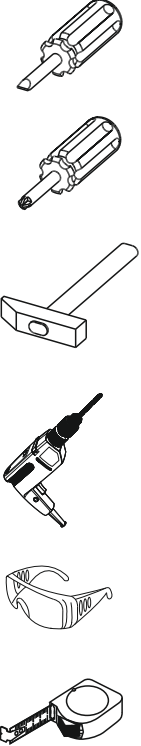


	L, mm	B, mm	H, mm	Q	
6	1500	609	32	1	2/6
61	1466	563	16	1	2/6
62	684	563	16	2	1/6
67	375	563	16	1	1/6
78	375	555	16	4	1/6
114	2084	583	16	1	3/6
115	2084	583	16	1	3/6
148	2008	563	16	1	4/6
149	2008	563	16	1	4/6
164	696	216	16	1	1/6
165	696	216	16	1	1/6
178	500	120	16	2	1/6
179	500	120	16	2	1/6
191	626	120	16	2	1/6
215	396	2031	16	1	6/6
218	396	2031	16	1	6/6
216	346	1592	20	1	5/6
217	346	1592	20	1	5/6
245	1466	60	16	2	2/6
298	2030	389	2,5	2	6/6
299	2030	700	2,5	1	6/6
317	656	505	2,5	2	2/6
Y2	368			2	2/6
Y2	677			1	2/6




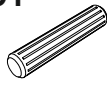


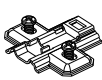
A1  7x34 44	A2  Ø15x12 44	B5  10x50 2	C1  8x35 50
D1-1  8	D1-3  6	E1-1  8	E4-1  6
H32  1	H58  4	I  S4 1	L2  500 2
N1  8	P5  16	R3  3x20 51	R23  6,3x13 28
R24  7x50 14	R27  5,0x13 28	R32  4x27 8	R102  3,5x16 50
S1  18	S3  18	S5  Ø18 32	U  130x35x15 2
Y1  6	Z26  500 2		





1

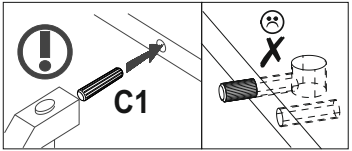
A1

7x34 9


C1

8x35 4


D1-1

8


N1

4

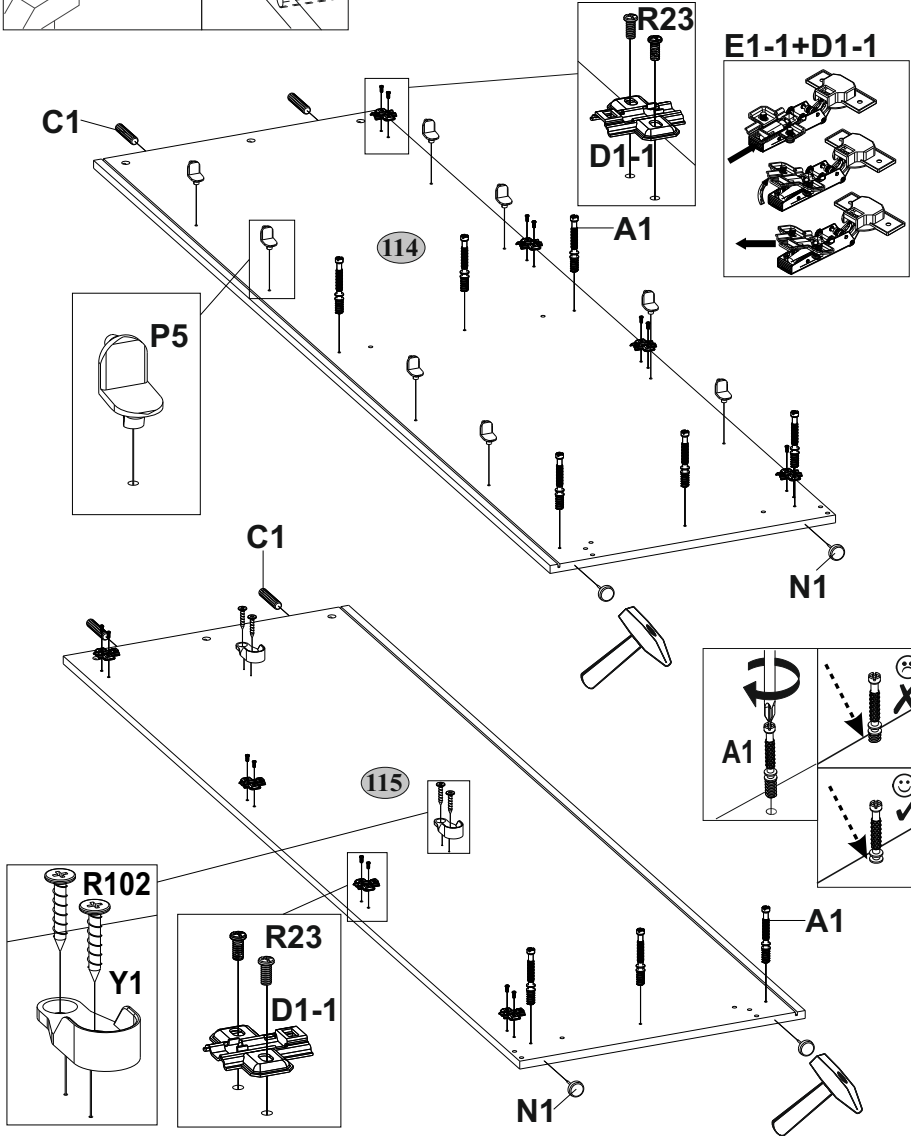
P5

8



R23

6,3x13 16

R102

3,5x16 4

Y1

2



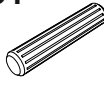
2

A1



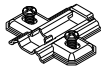
7x34

C1



6 8x35

D1-3



4 3

R23



6,3x13

R27



6 5,0x13

R102



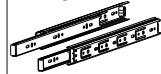
3,5x16

Y1

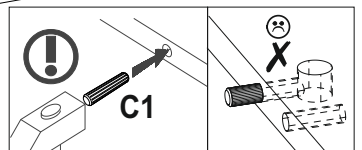
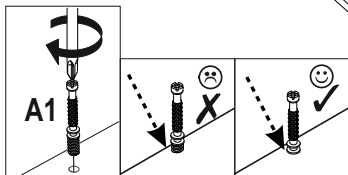
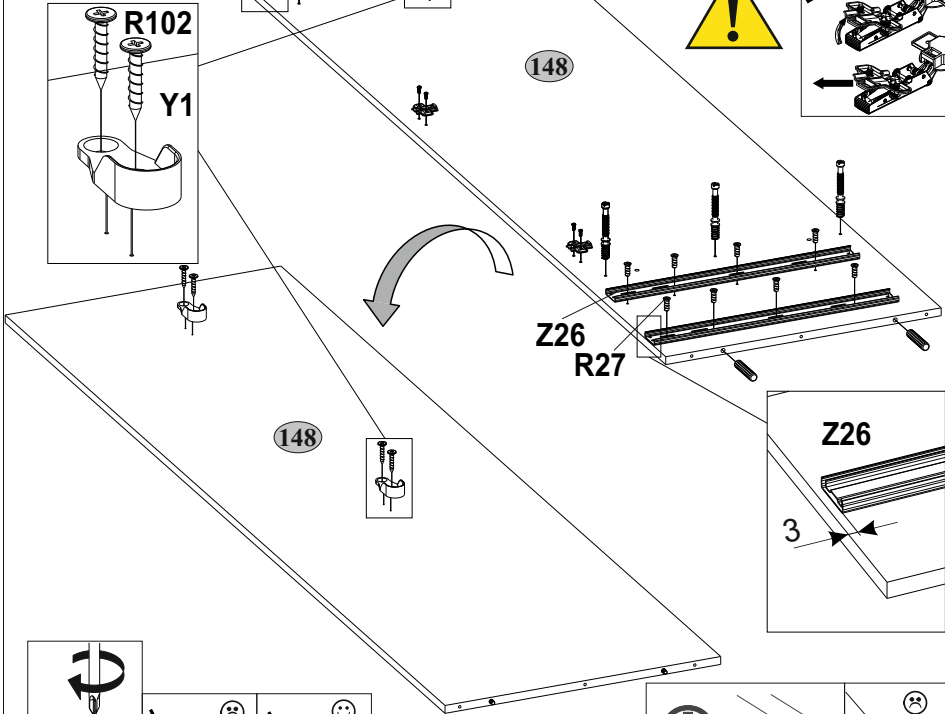
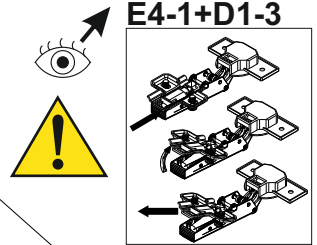
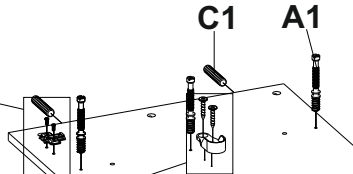
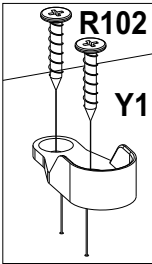
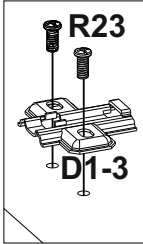
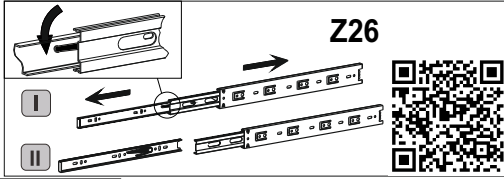


6 3

Z26



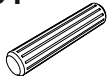
500 2



3**A1**

7x34

9

C1

8x35

4

D1-3

3

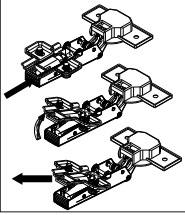
P5

8

R23

6,3x13

6

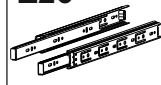
E4-1+D1-3**R27**

5,0x13

R102

8

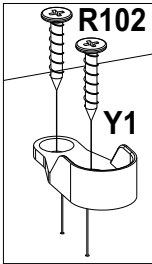
3,5x16

Y1**Z26**

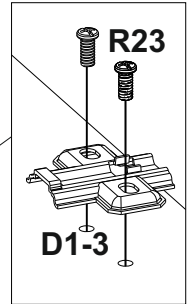
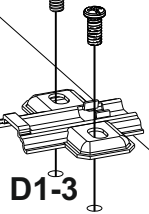
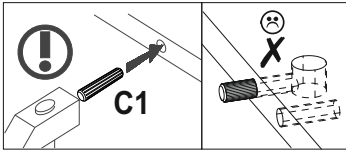
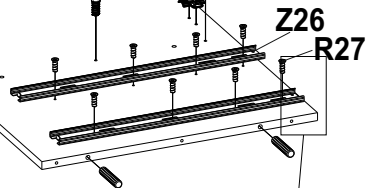
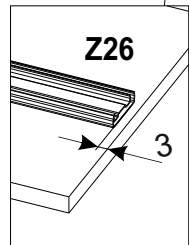
1

500

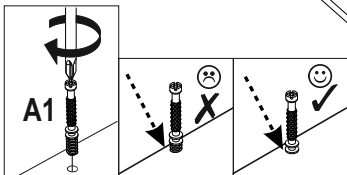
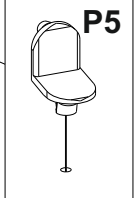
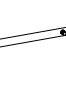
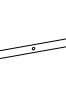
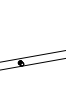
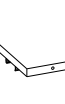
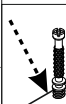
2

**R102****C1****A1**

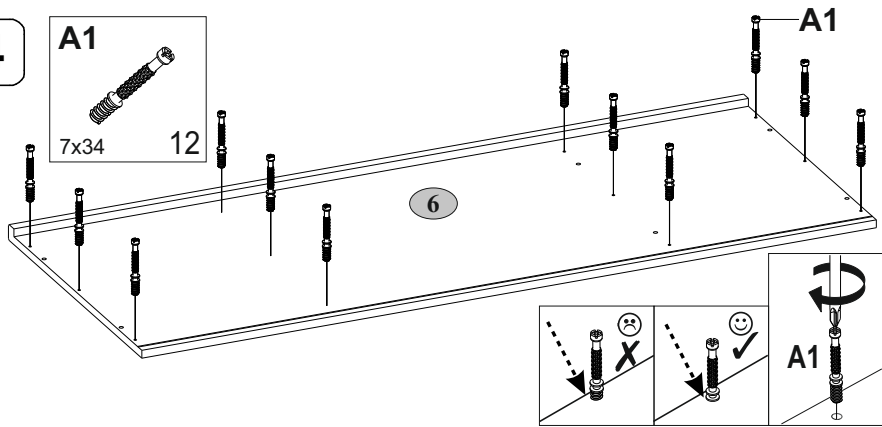
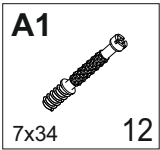
149

**R23****D1-3****C1****X****X****X****X****X****X****X****X****X****X****X****X****X****Z26****R27****Z26**

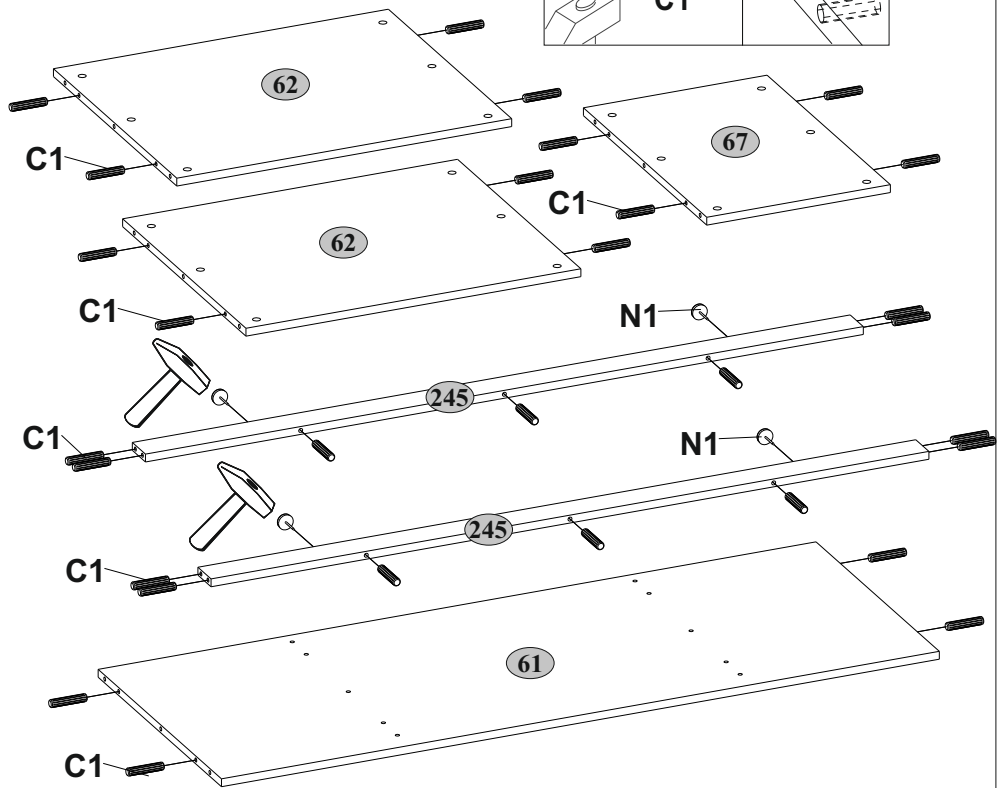
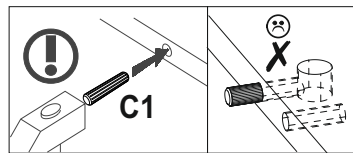
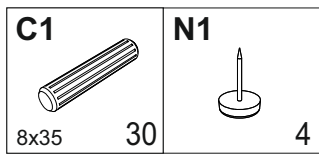
3

**A1****X****X****X****X****P5**

4



5



6

A2

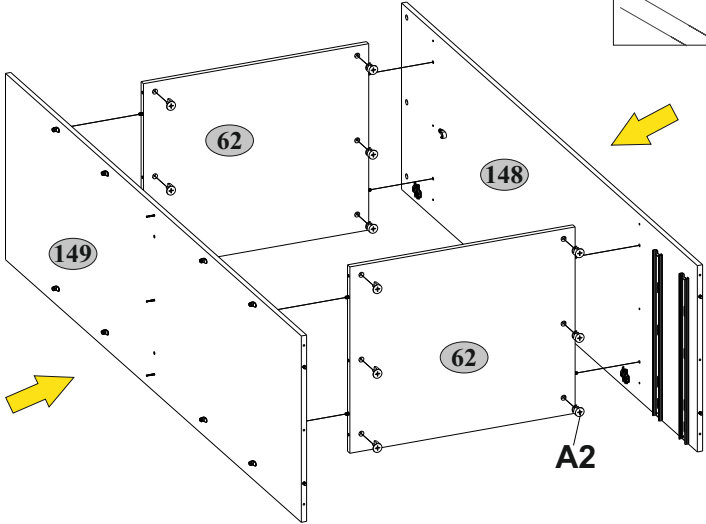
Ø15x12 12

II III

A1 A2 A2

I

A2 A2



7

A2 **R24**

Ø15x12 3 7x50 6

II III

A1 A2 A2

I

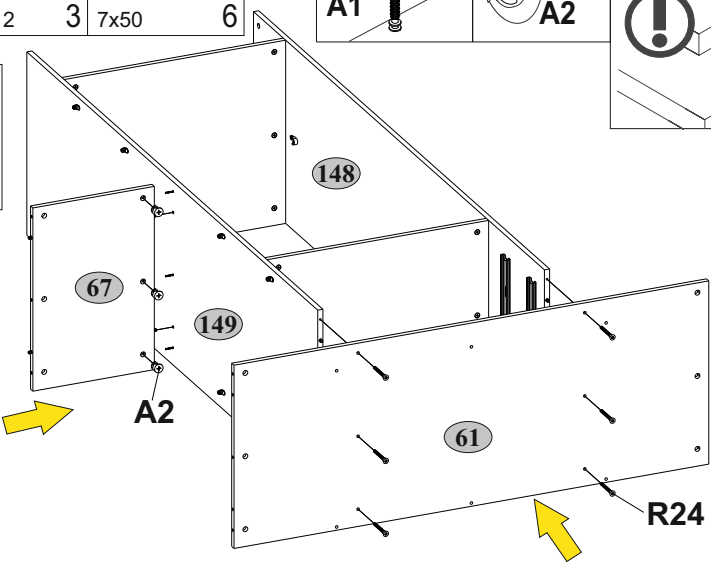
A2 A2

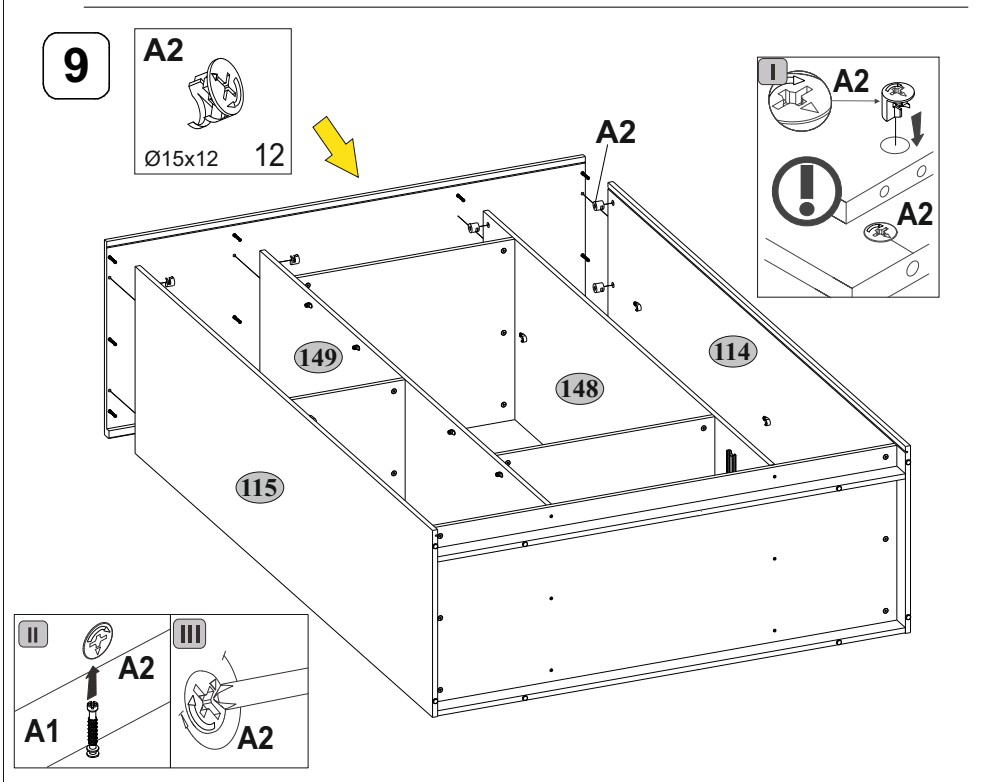
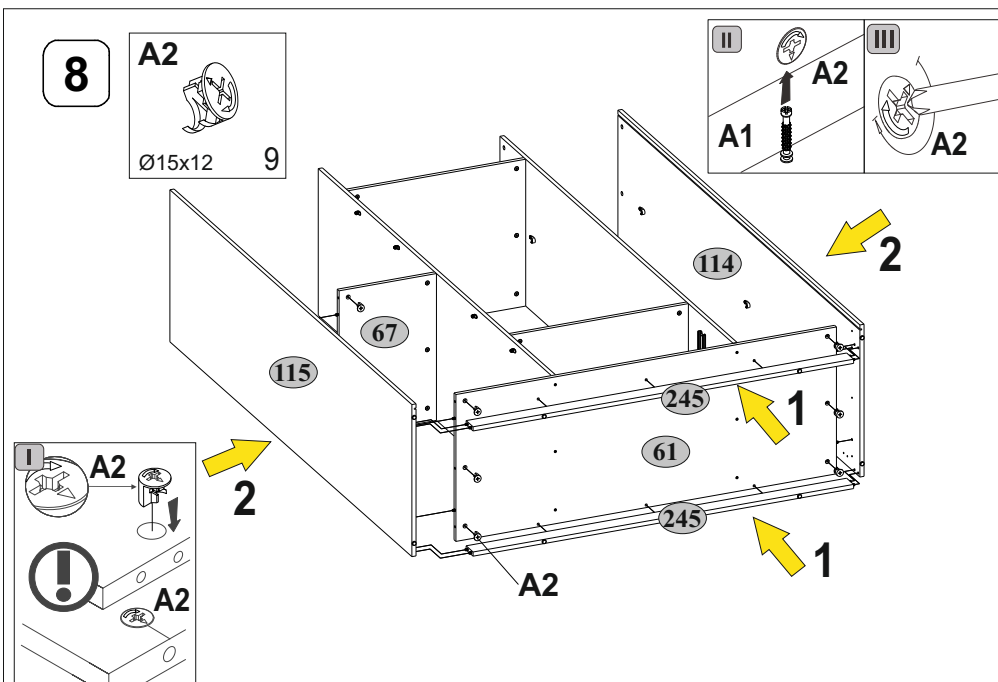
I

S4 1

I

R24





10

R3



3x20

S1



31

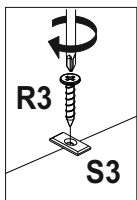
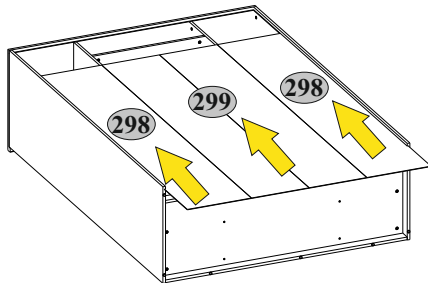
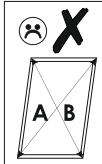
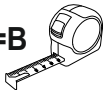
S3



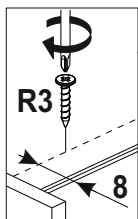
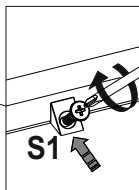
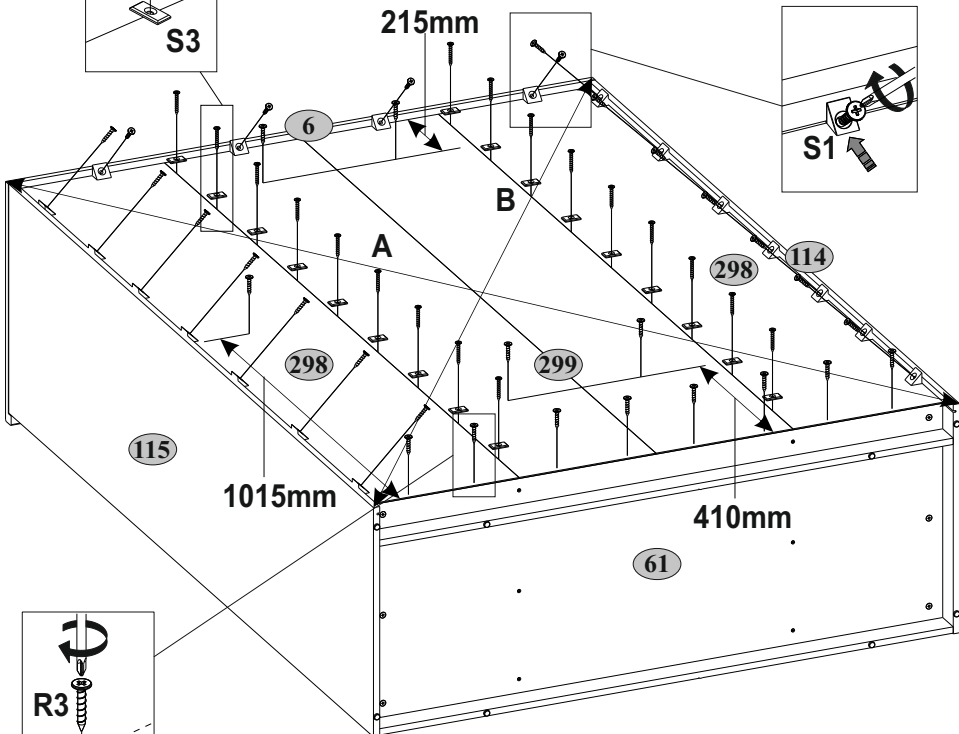
18

18



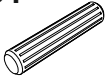

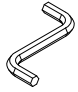
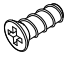



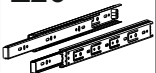
A=B

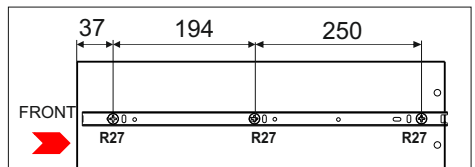
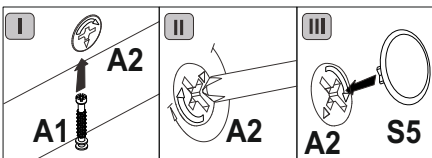
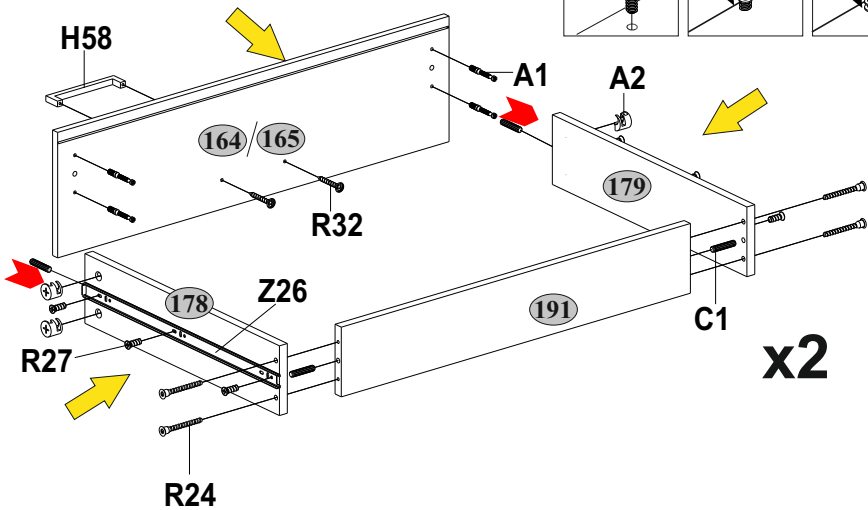
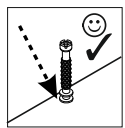
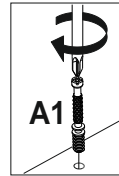
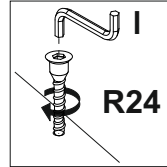
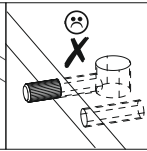
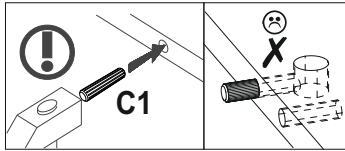
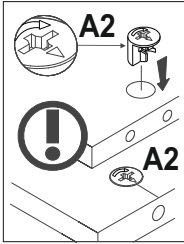


215mm

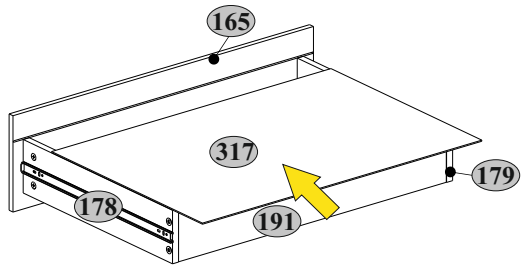
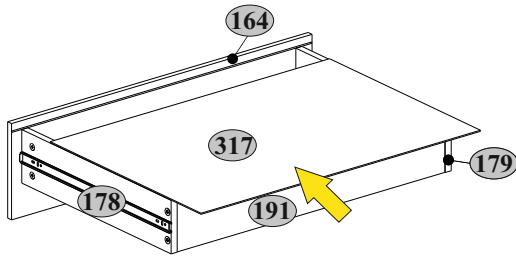


11




A1  7x34 8	A2  Ø15x12 8	C1  8x35 8	H58  2	I  S4 1
R27  5,0x13 12	R24  7x50 8	R32  4x27 4	S5  Ø18 8	Z26  500 2

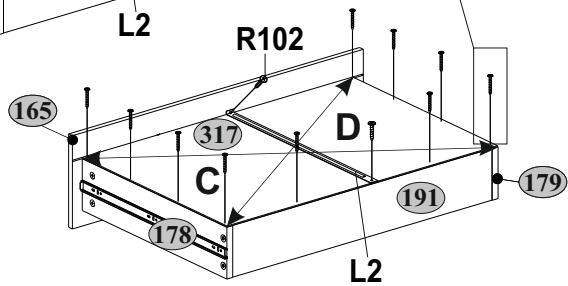
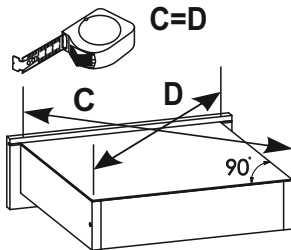
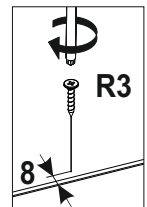
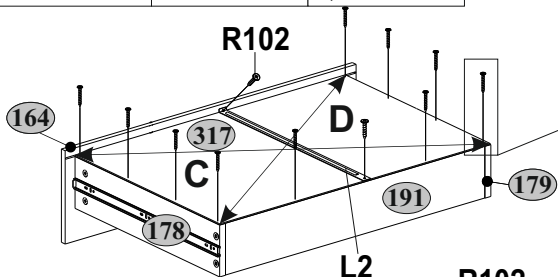


12



13

L2	R3	R102
		
500 2	3x20 20	3,5x16 4



14

B5



10x50

2

R102



3,5x16

4

S5



Ø18

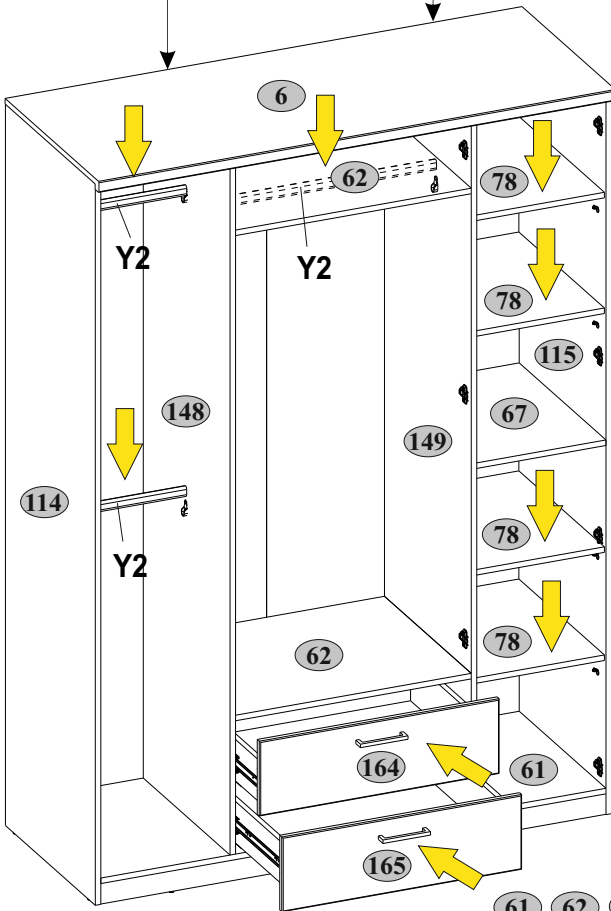
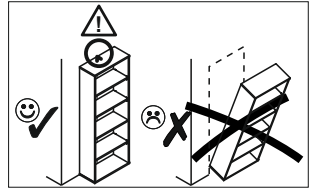
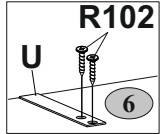
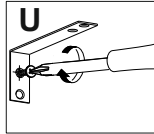
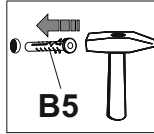
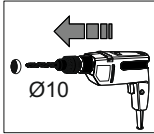
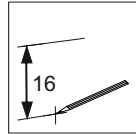
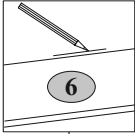
24

U



130x35x15

2



61 62 67 78 164 165

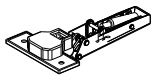
max. 5 kg

Y2 6

max. 10 kg

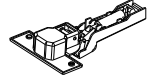
15

E1-1



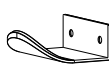
8

E4-1



6

H32



1

H58



2

R32



4x27

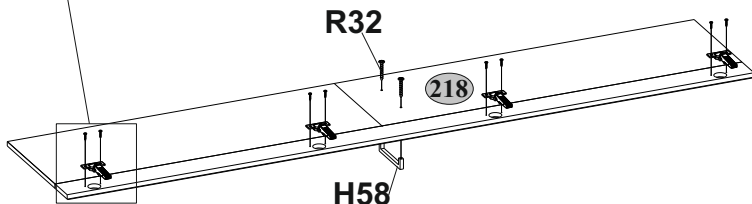
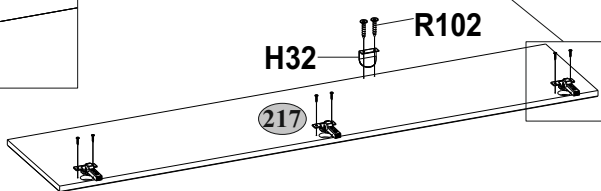
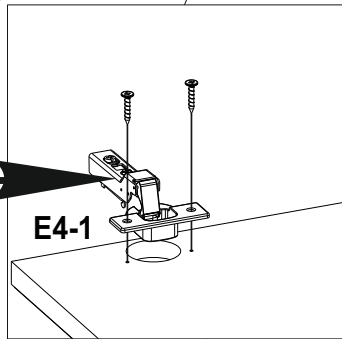
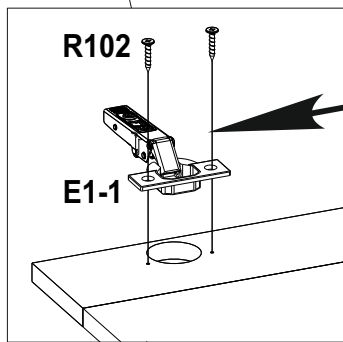
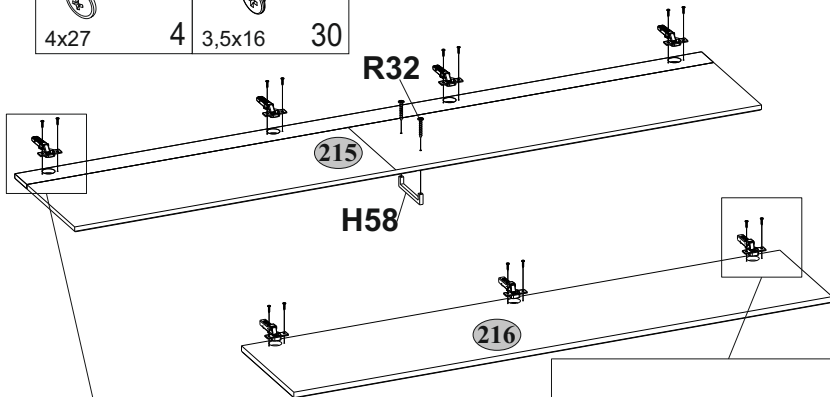
R102



4

3,5x16

30



16

