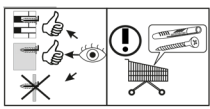
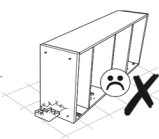
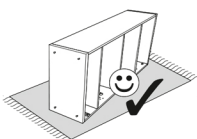
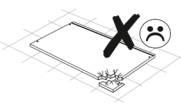
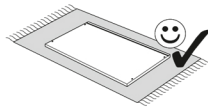
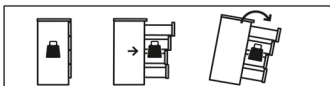
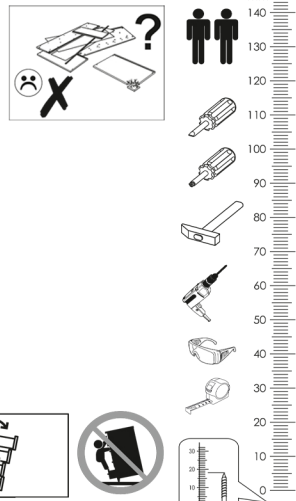
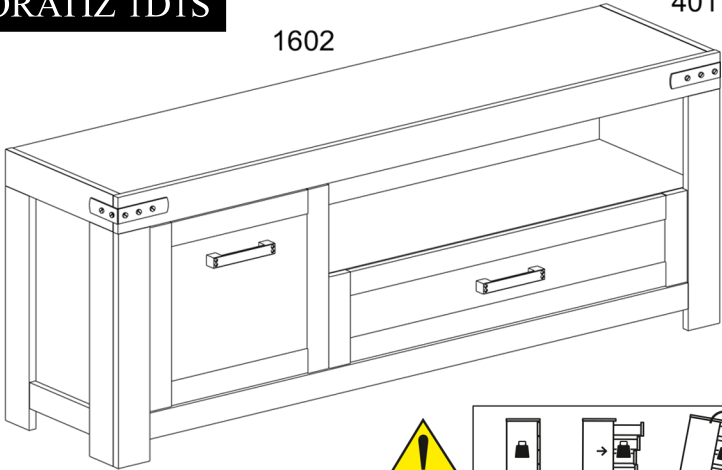


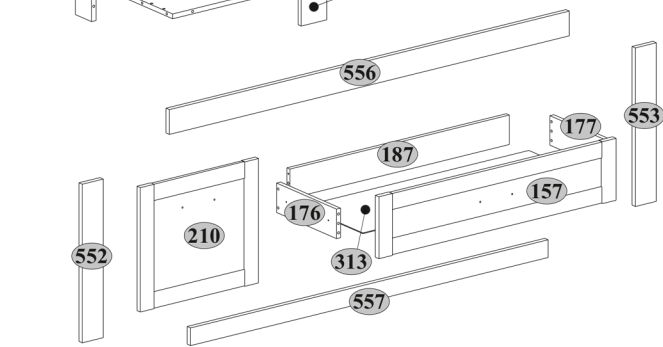
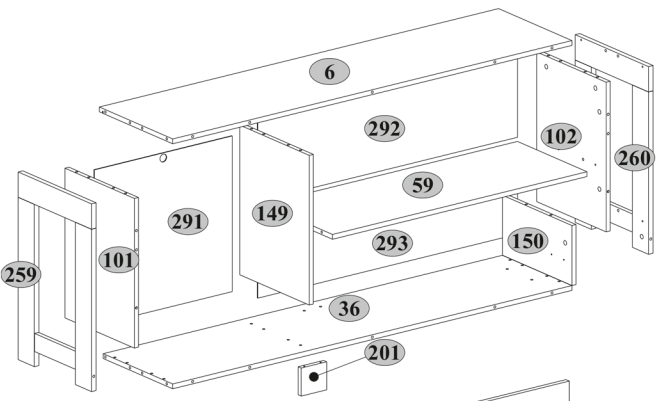
1602

401

626



<b>A1</b> 7x34 34	<b>A2</b> Ø15x12 34	<b>B5</b> 10x50 2	<b>C1</b> 8x35 38
<b>D1</b> 2	<b>E2</b> 2	<b>H48</b> 2	<b>I</b> S4 1
<b>L1</b> 320 1	<b>M5</b> M4x25 4	<b>N1</b> 7 1,5x7	<b>Q</b> 1,5x7 1
<b>R3</b> 3x20 30	<b>R23</b> 6,3x13 4	<b>R24</b> 7x50 12	<b>R27</b> 5,0x13 10
<b>R102</b> 3,5x16 26	<b>S1</b> 6	<b>S3</b> 6	<b>S5</b> Ø18 10
<b>U.1</b> 45x35x15 2	<b>U5</b> 36x36 4	<b>V8</b> 2	<b>Z25</b> 300 1



	mm	mm	mm	
6	1564	382	16	1
36	1564	362	16	1
59	997	362	16	1
101	496	362	16	1
102	496	362	16	1
149	496	362	16	1
150	199	362	16	1
157	952	210	19	1
176	320	100	16	1
177	320	100	16	1
187	880	100	16	1
201	100	93	16	1
210	422	470	19	1
259	622	382	18	1
260	622	382	18	1
291	516	540	2,5	1
292	295	1018	2,5	1
293	221	1018	2,5	1
313	910	325	2,5	1
552	538	84	18	1
553	538	84	18	1
556	1602	84	18	1
557	1433	60	16	1

1

A1



7x34

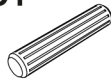
A2



6

Ø15x12

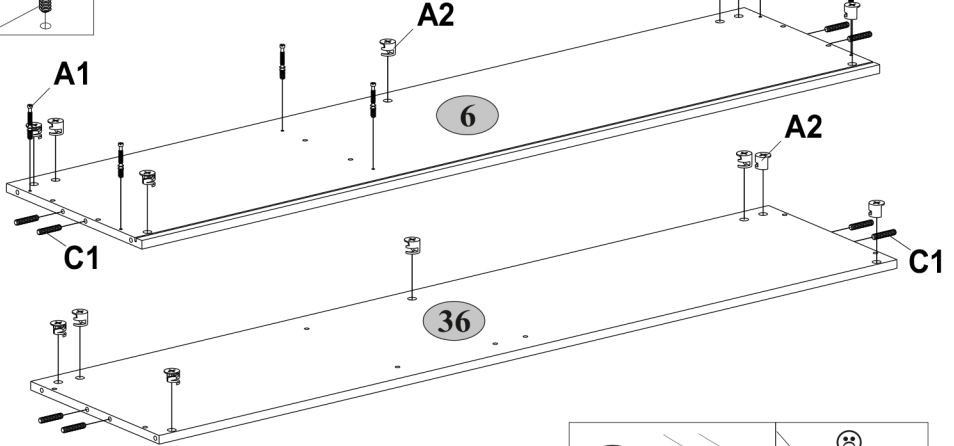
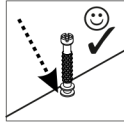
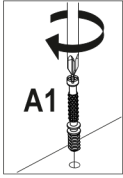
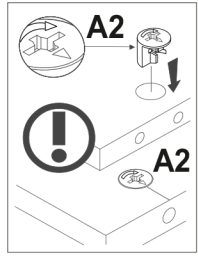
C1



14

8x35

8



2

A1



7x34

A2



2

Ø15x12

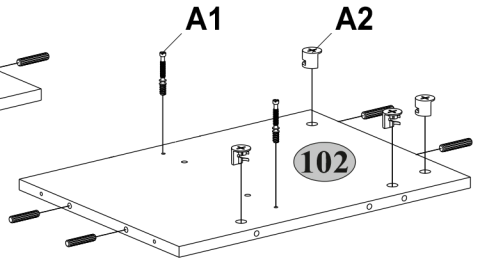
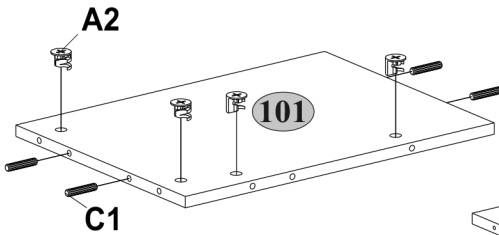
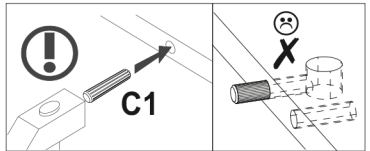
C1





8

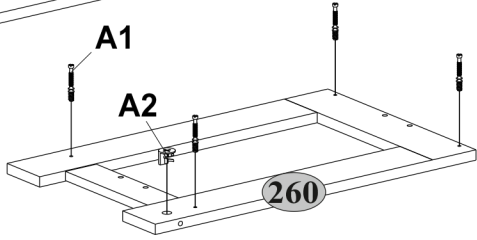
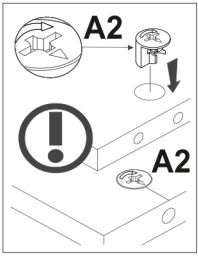
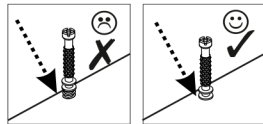
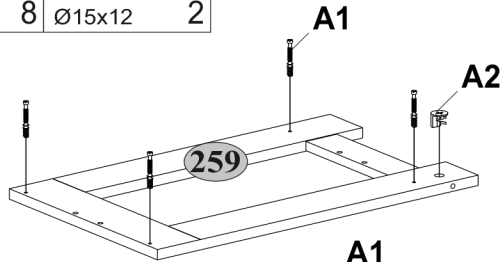
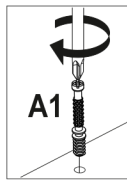
8x35

8


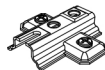


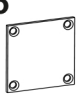


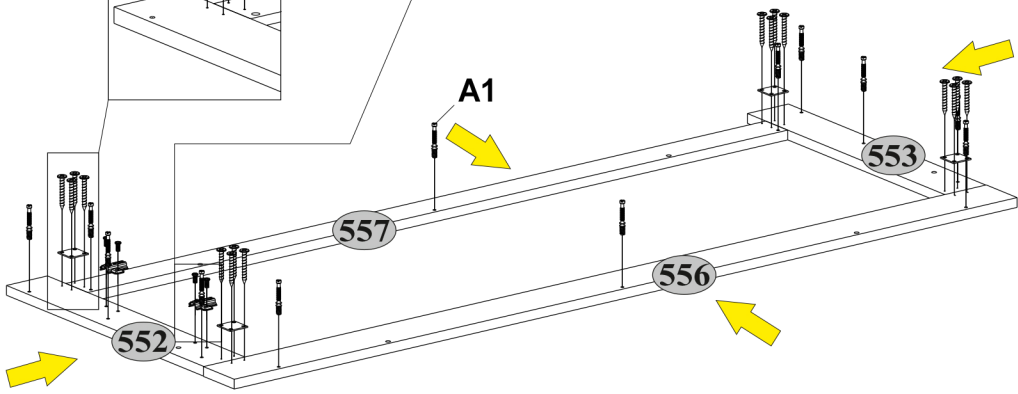
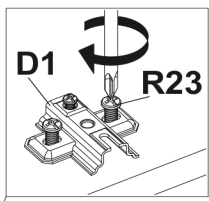
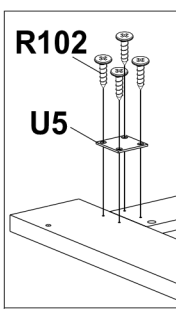
**3**

<b>A1</b>  7x34	<b>A2</b>  8 Ø15x12
---	---



**4**

<b>A1</b>  7x34	<b>D1</b>  2	<b>R23</b>  4 6,3x13	<b>R102</b>  16 3,5x16	<b>U5</b>  4 36x36
--	---	---	---	---



5

A1



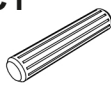
7x34

A2



2 Ø15x12 2

C1



8x35 8

R27

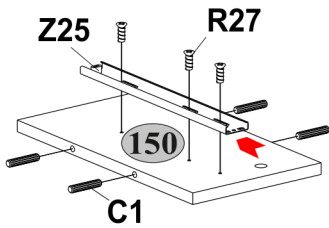
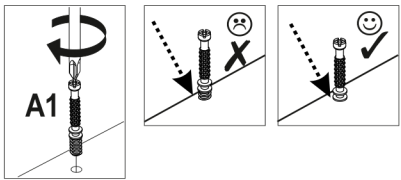
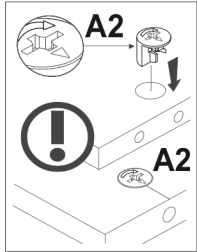
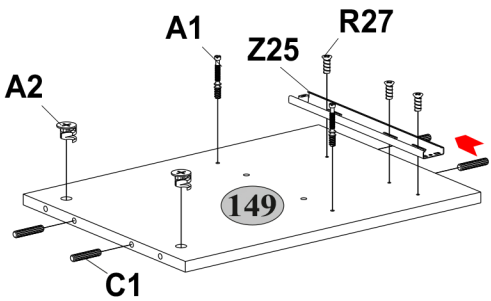
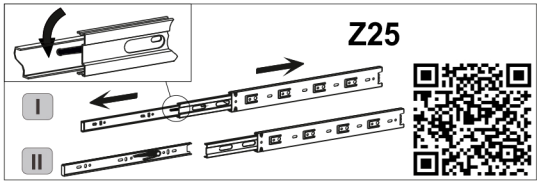
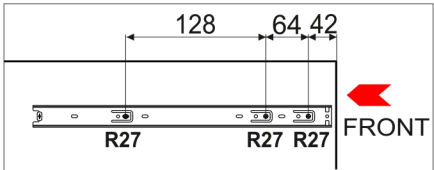


5,0x13 6

Z25



300 1



6

A2

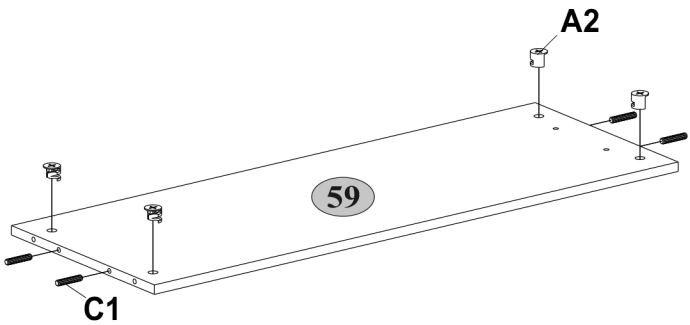
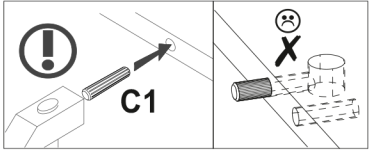


Ø15x12 4

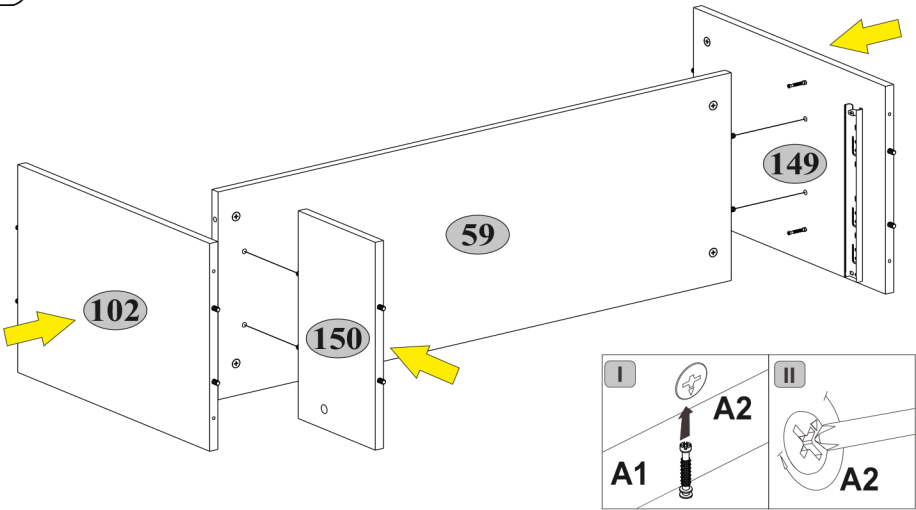
C1



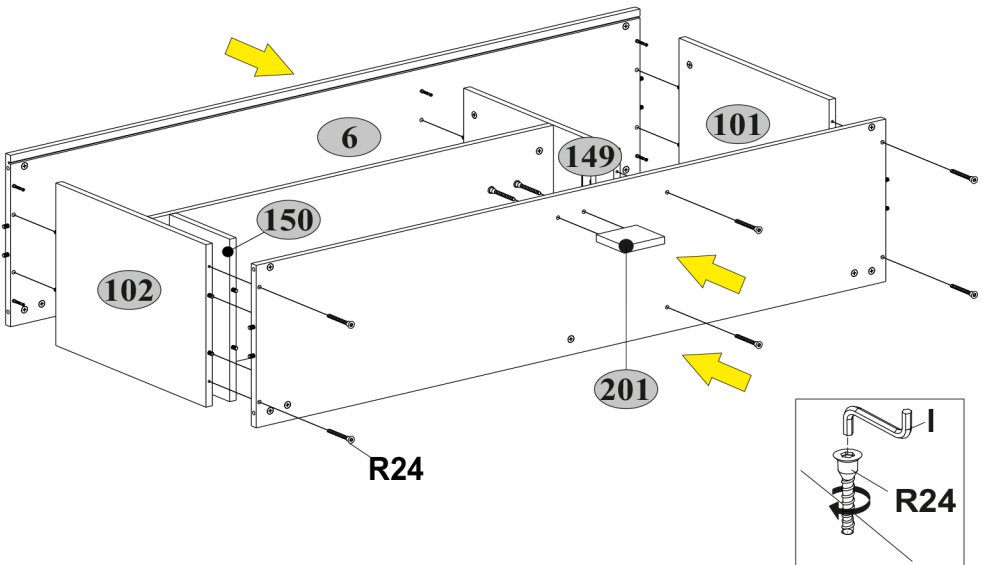
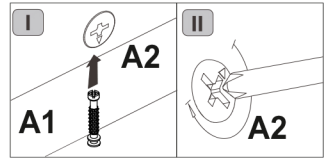
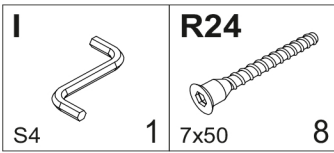
8x35 4



7



8



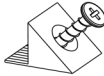
9

R3



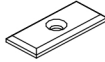
3x20

S1



20

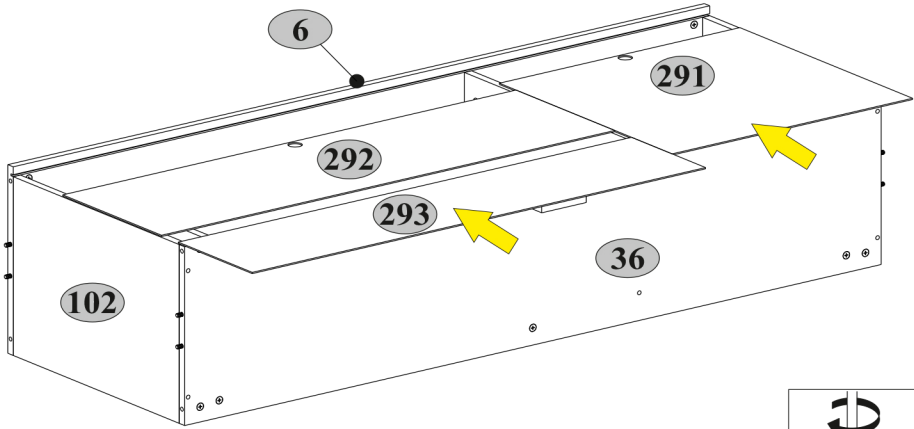
S3



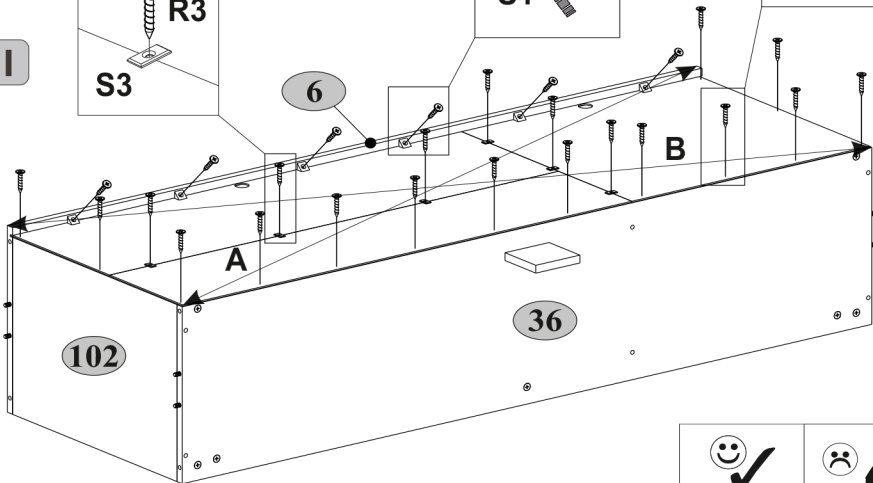
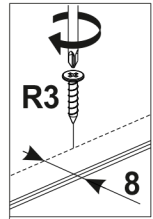
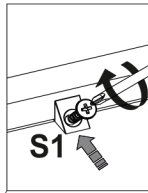
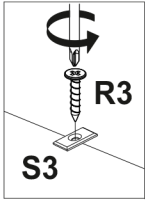
6

6

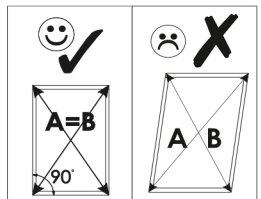
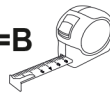
I



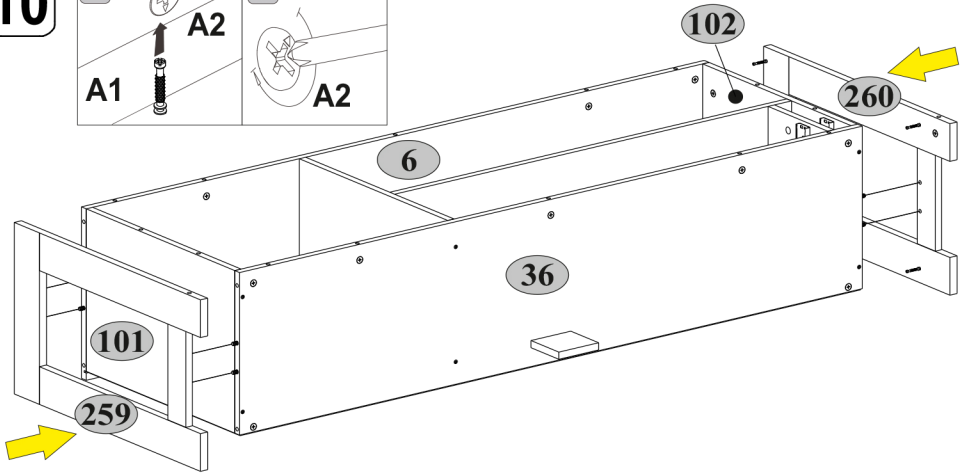
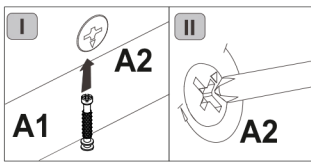
II



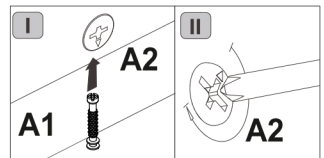
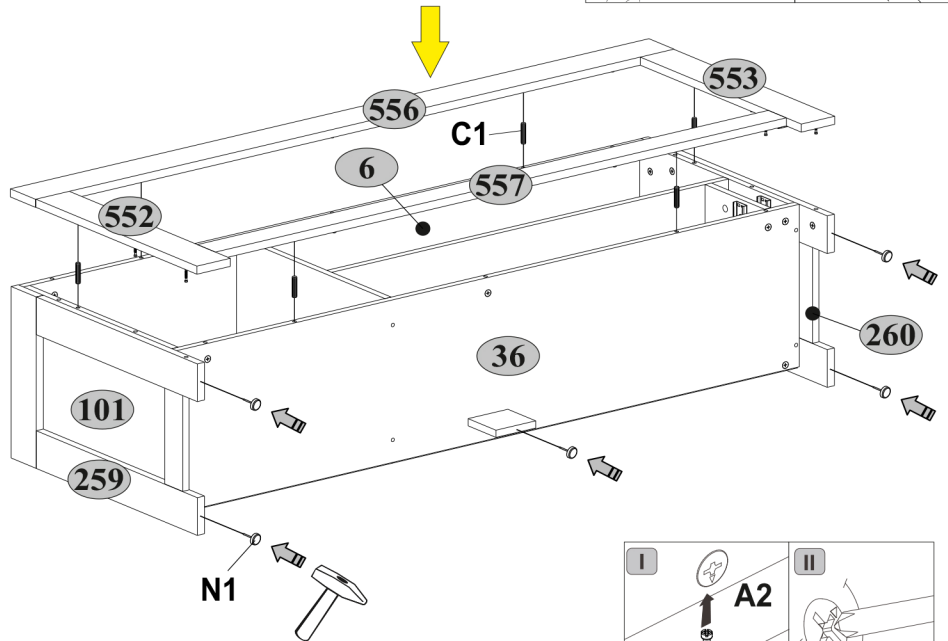
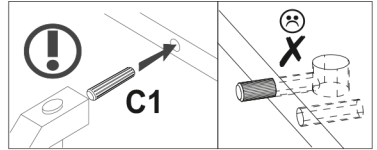
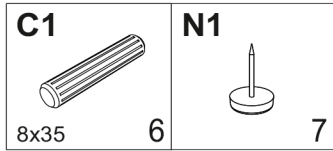
A=B





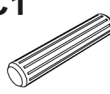
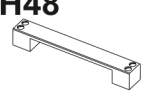
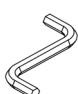
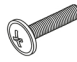
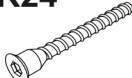


10

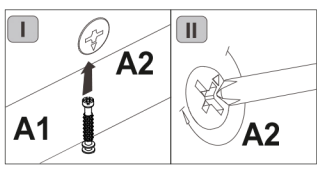
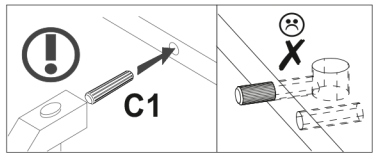
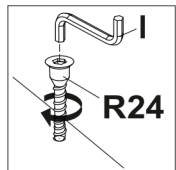
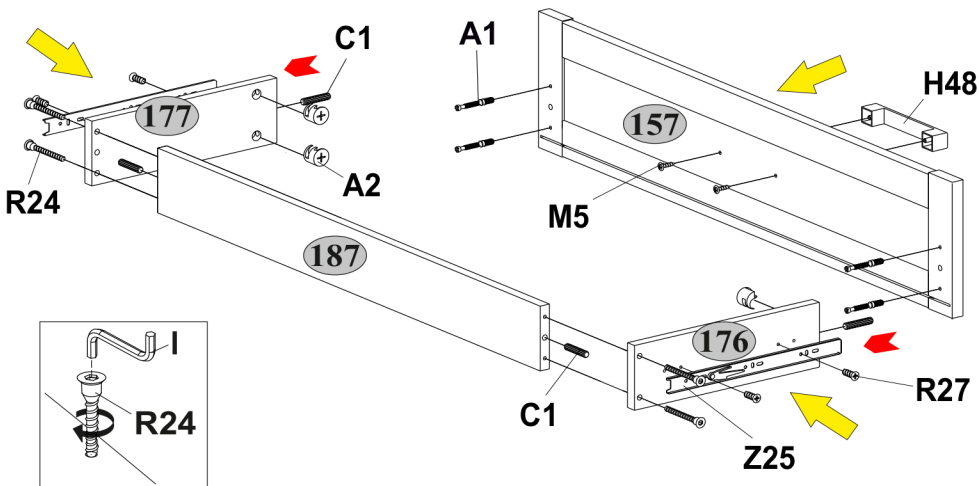
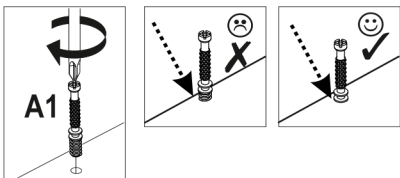
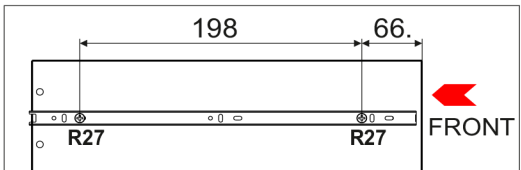
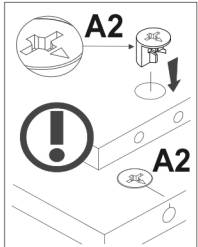


11






**12**

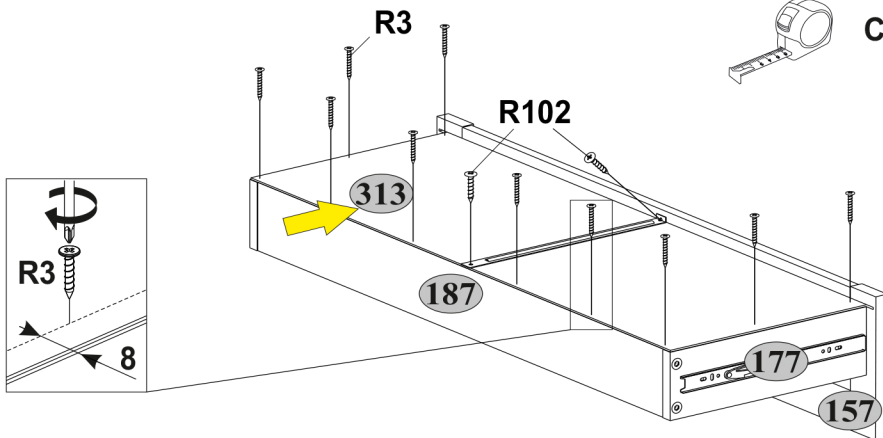
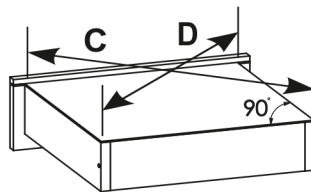
<b>A1</b>  7x34 4	<b>A2</b>  Ø15x12 4	<b>C1</b>  8x35 4	<b>H48</b>  1	<b>I</b>  S4 1
<b>M5</b>  M4x25 2	<b>R24</b>  7x50 4	<b>R27</b>  5,0x13 4	<b>Z25</b>  300 1	

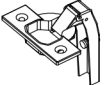



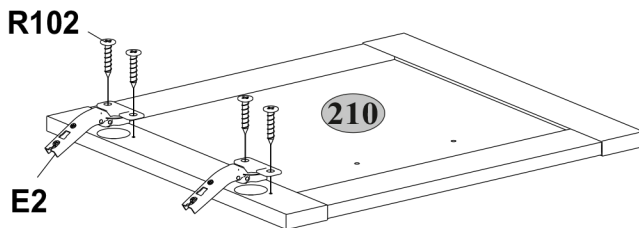
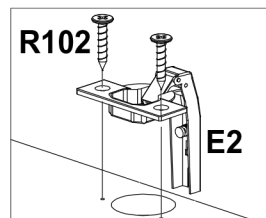


**13**


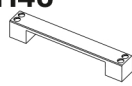





<b>L1</b>  320 1	<b>R3</b>  3x20 10	<b>R102</b>  3,5x16 2
---	---	--

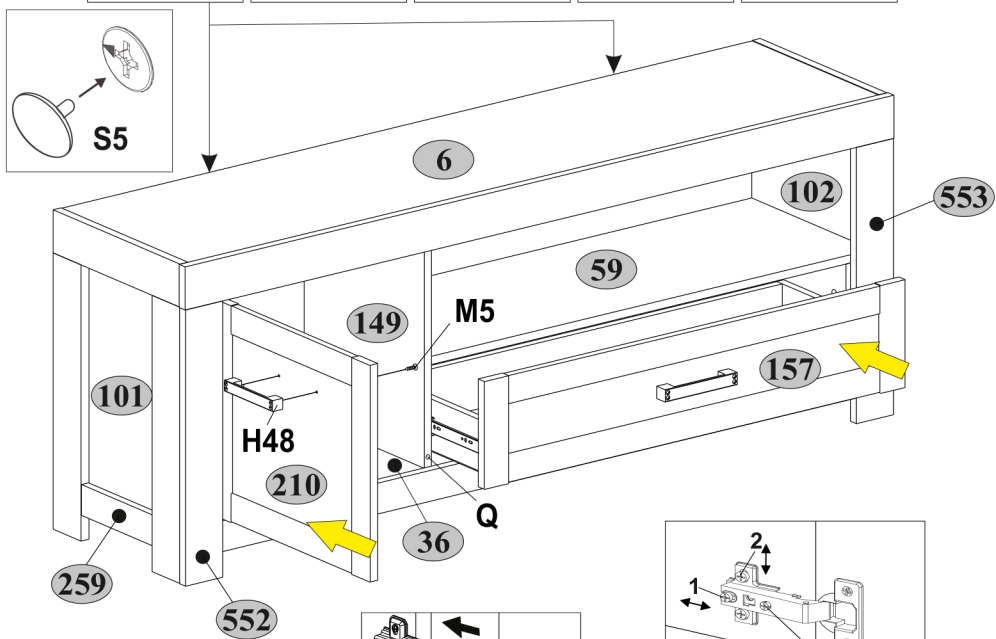
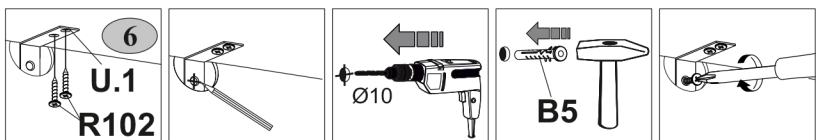
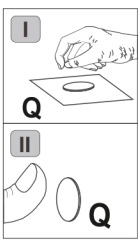
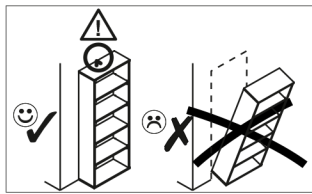
**14**



<b>E2</b>  2	<b>R102</b>  3,5x16 4
---	--

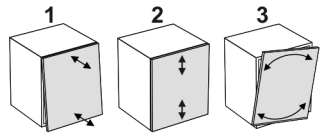
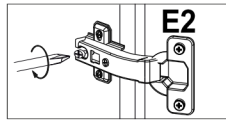
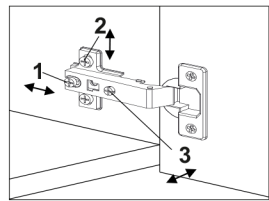
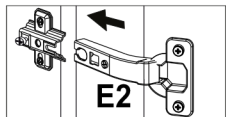


# 15

<b>B5</b>  10x50      2	<b>H48</b>  1	<b>Q</b>  1,5x7      1	<b>M5</b>  M4x25      2	<b>R102</b>  3,5x16      4
<b>S5</b>  Ø18      10		<b>U.1</b>  45x35x15      2		



36    59    157     max. 5 kg  
 6     max. 15 kg



16

V8

