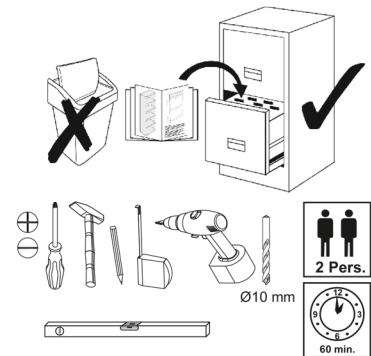
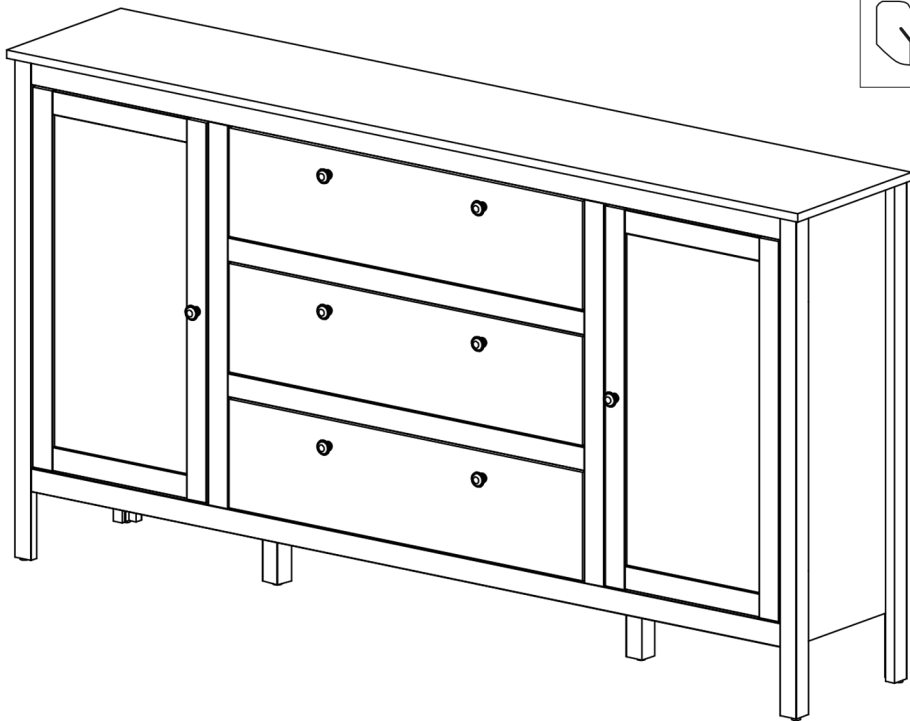
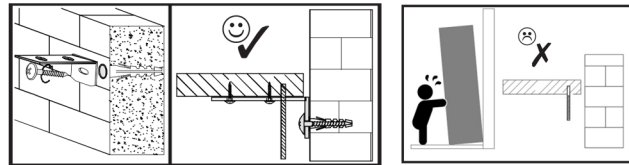
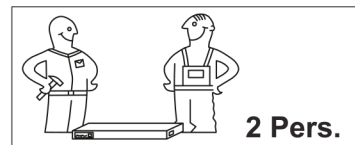
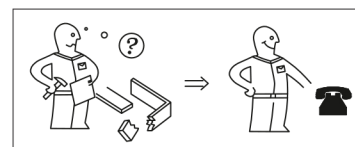
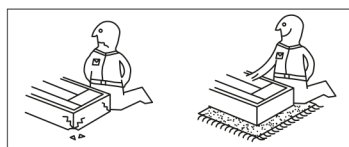
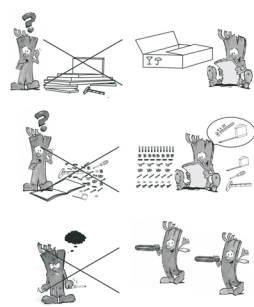
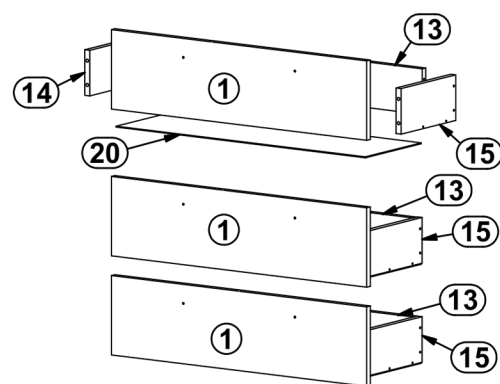
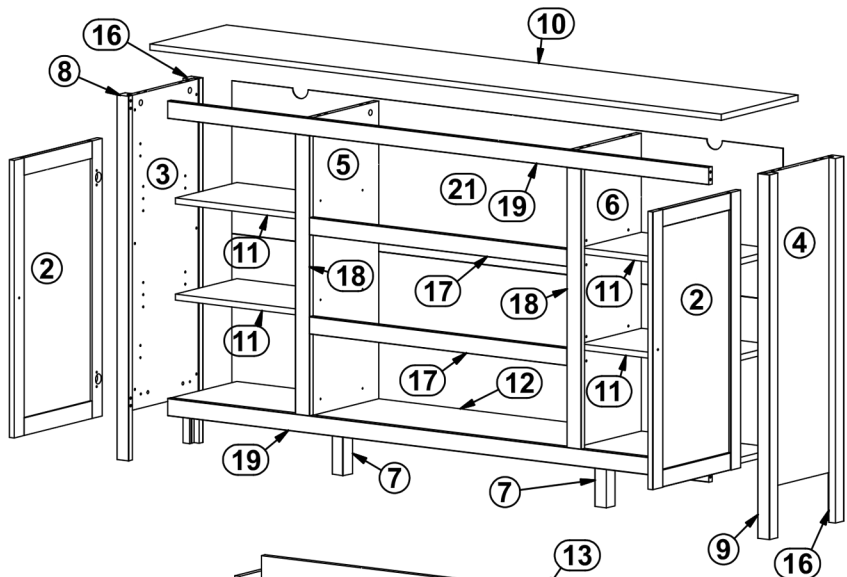


OLJE 2D3S



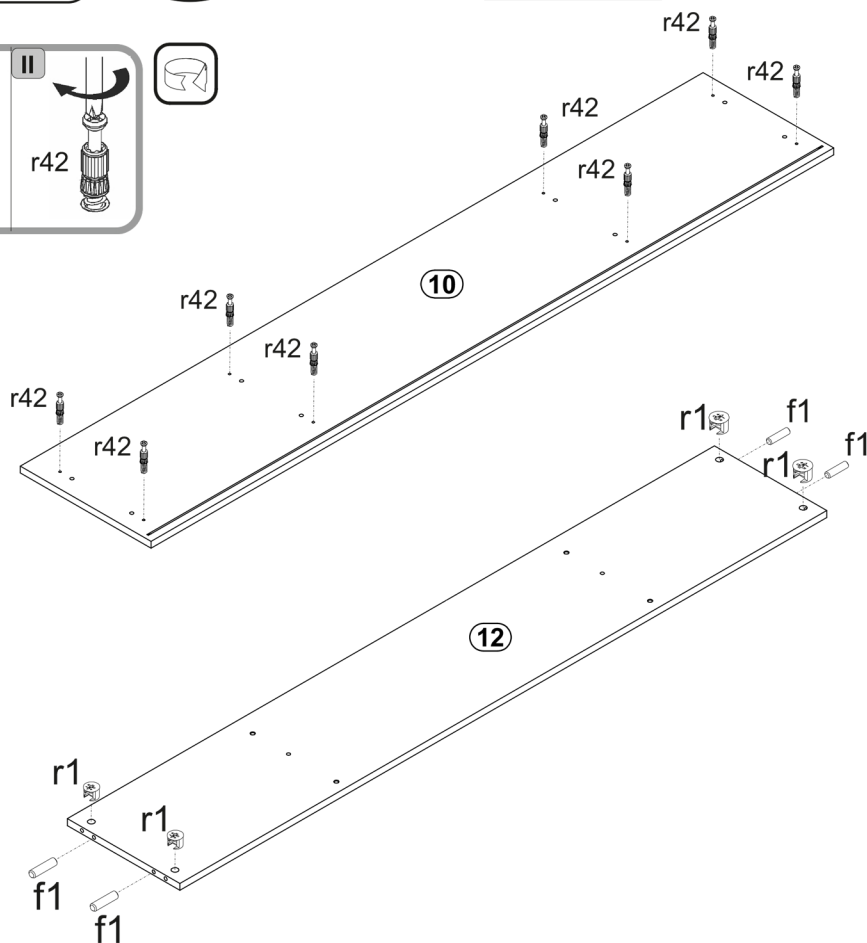
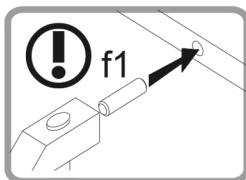
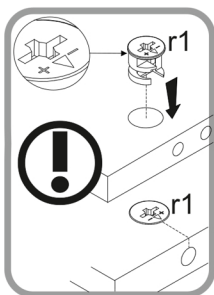
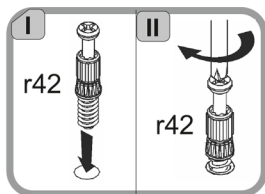
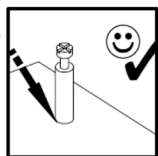
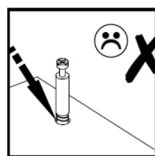
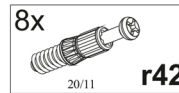
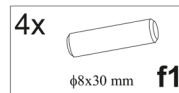
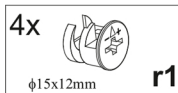
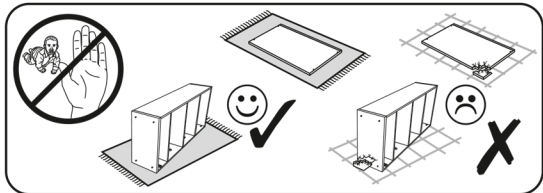
4x a1	4x b1	8x c415	16x d1 φ5x17 mm	6x e1 φ7x50 mm
12x e19 φ5x9 mm	12x e3 φ6x13 mm	28x f1 φ8x30 mm	24x f9 φ6x30 mm	2x f35 φ10x50 mm
8x j1 M4x20 mm	6x k1	30x l1	8x l2	4x n110 25x25x16,2mm
2x n14 86x21x151,5mm	4x n114 29x13x51,5 mm	12x p10 φ4x40 mm	2x p17 φ5x60 mm	6x p25 φ3,5x16 mm
4x p54 φ3x12 mm	12x p38 φ3,5x16 mm	12x p125 φ3x30 mm	3x w17DR 250 mm	3x w17CR 250 mm
3x w17DL 250 mm	3x w17CL 250 mm	12x r1 φ15x12mm	12x r42 20/11	4x s2 ø16
4x s50 silikon	12x s59	3x t40 250 mm	1x z1	1x y1 CLUB



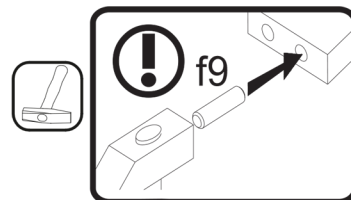
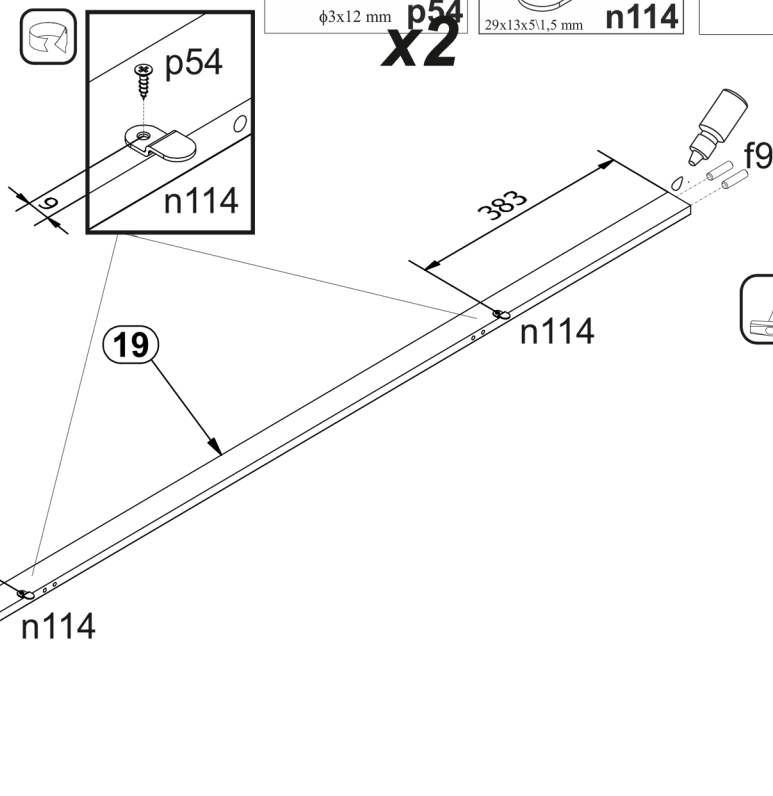
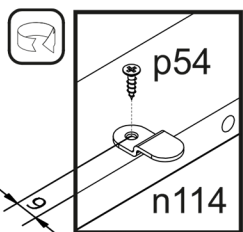
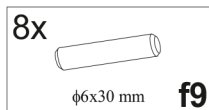
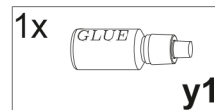
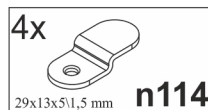
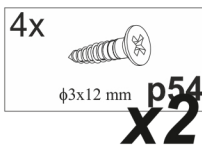
- 1
- 10
- 11
- 12
- 13
- 14
- 15
- 17
- 18
- 19
- 20
- 21

- 2
- 3
- 4
- 5
- 6
- 7
- 8
- 9
- 16

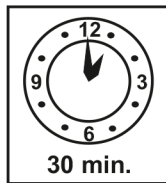
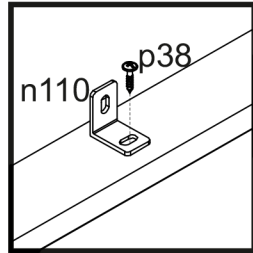
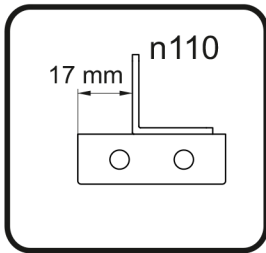
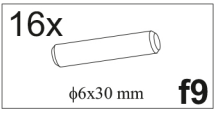
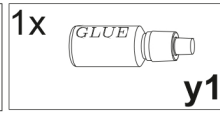
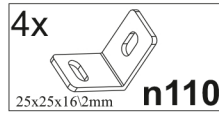
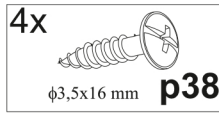
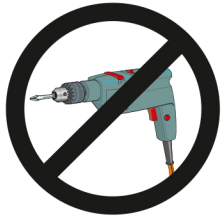
1



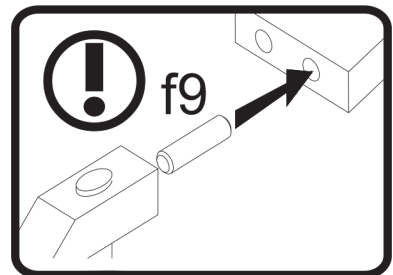
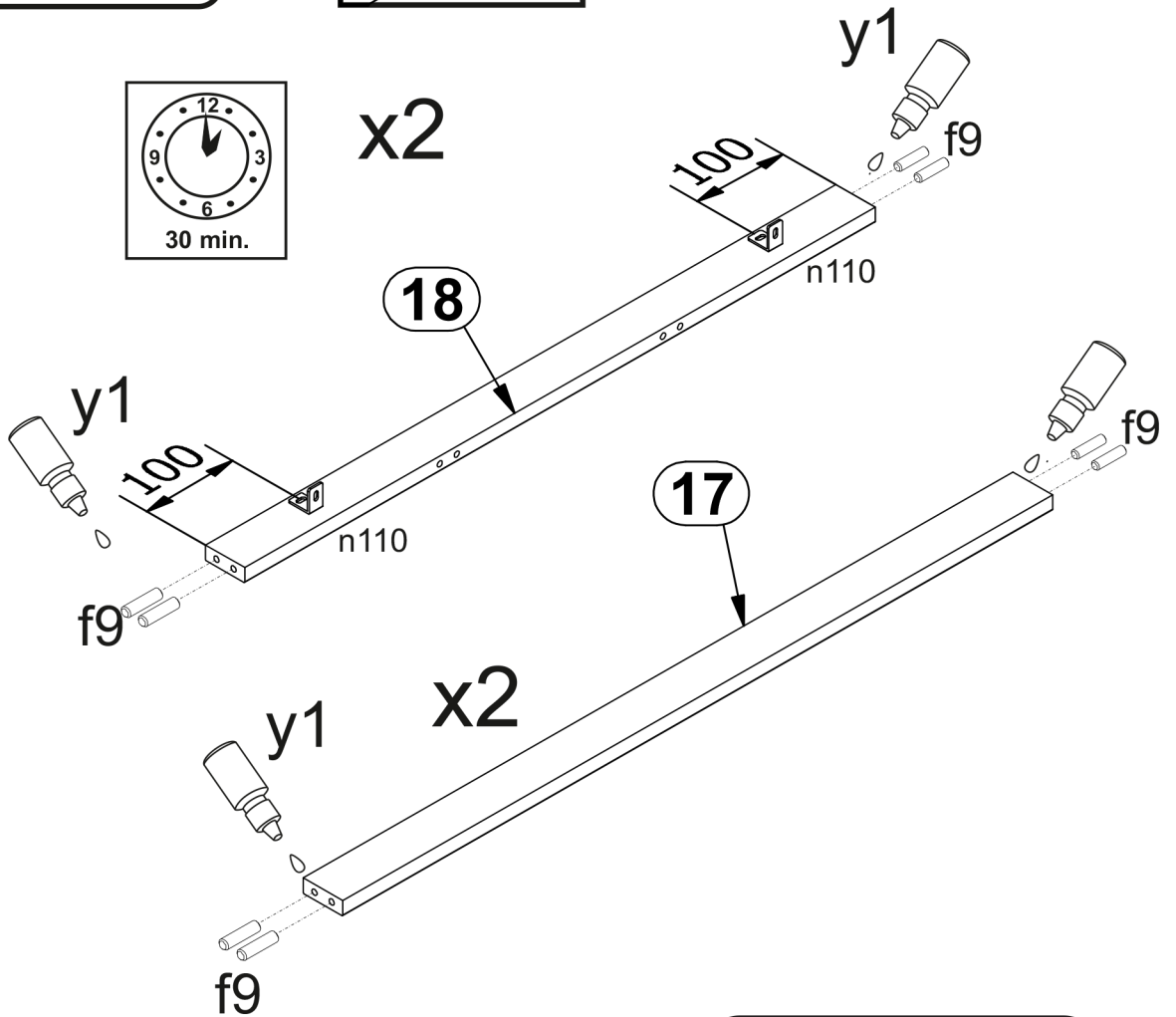
2




3





x2





4

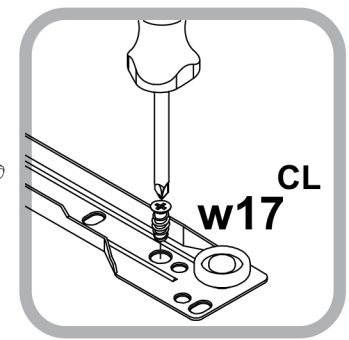
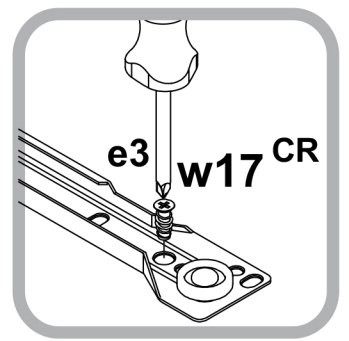
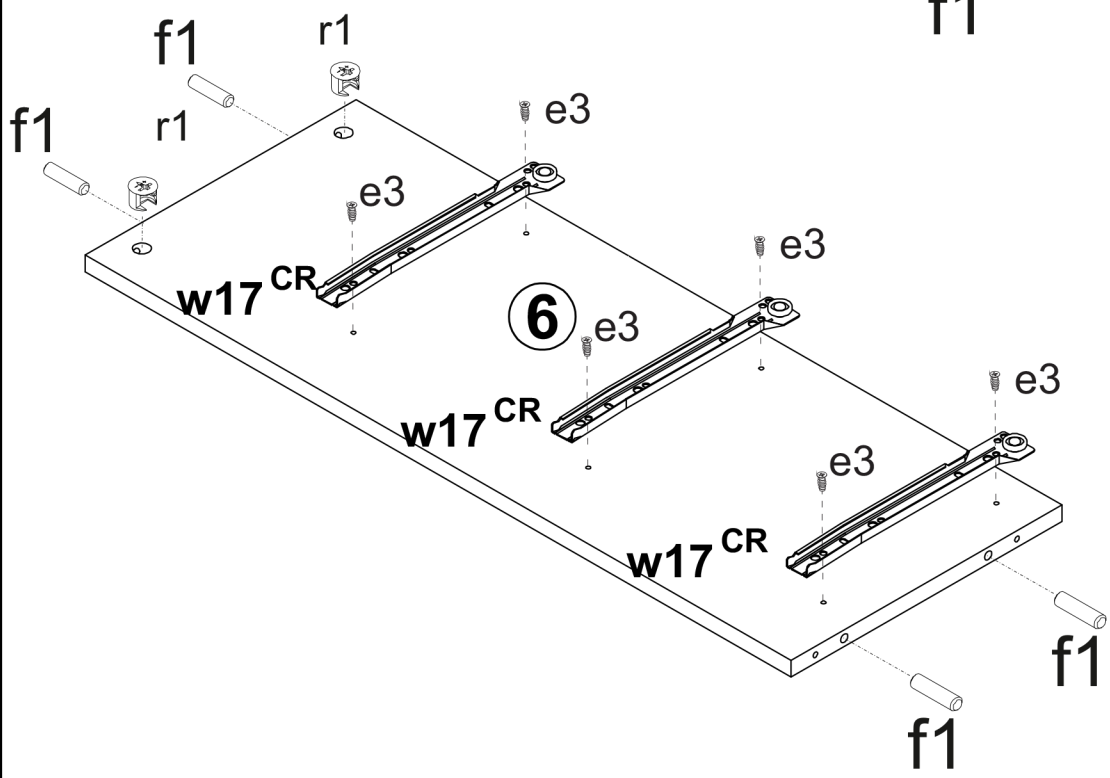
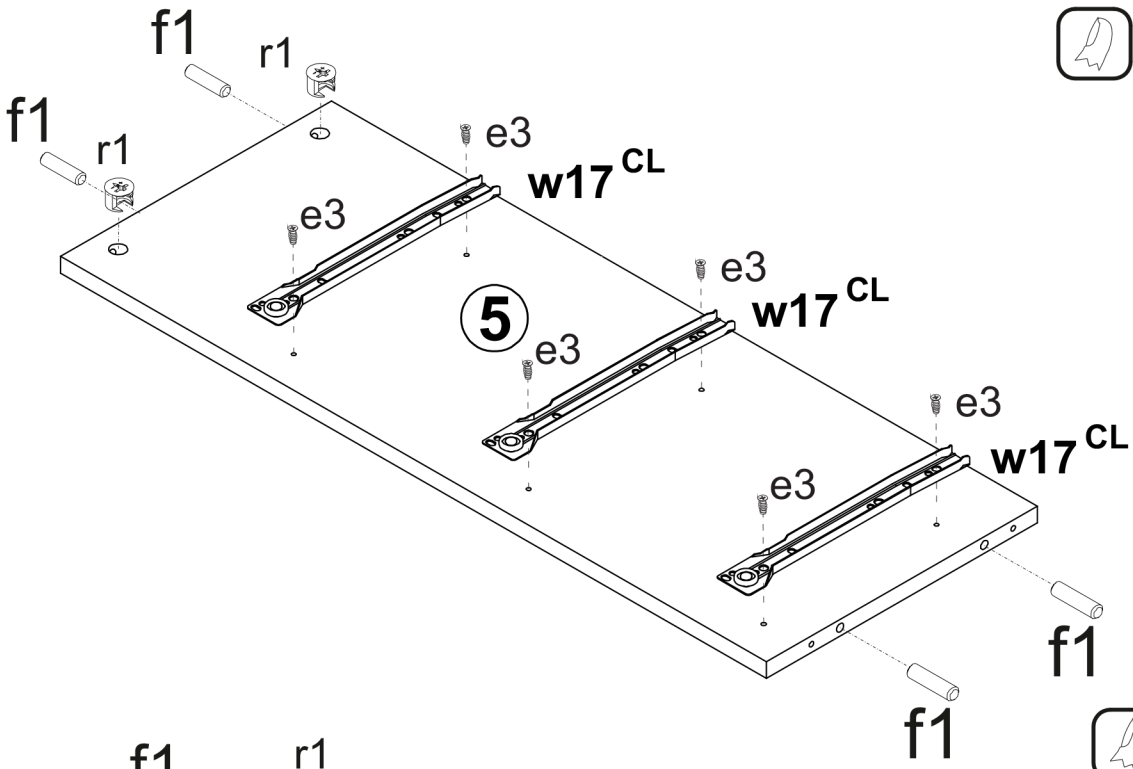
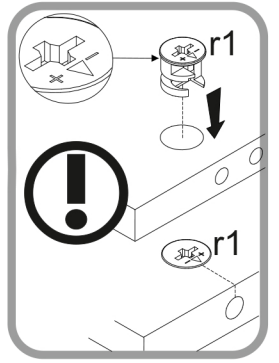
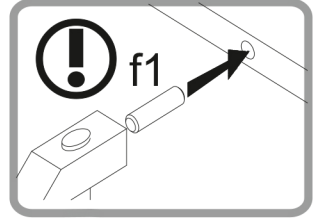
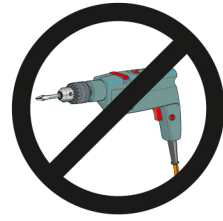
4x  $\phi 15 \times 12 \text{ mm}$ **r1**

8x  $\phi 8 \times 30 \text{ mm}$ **f1**

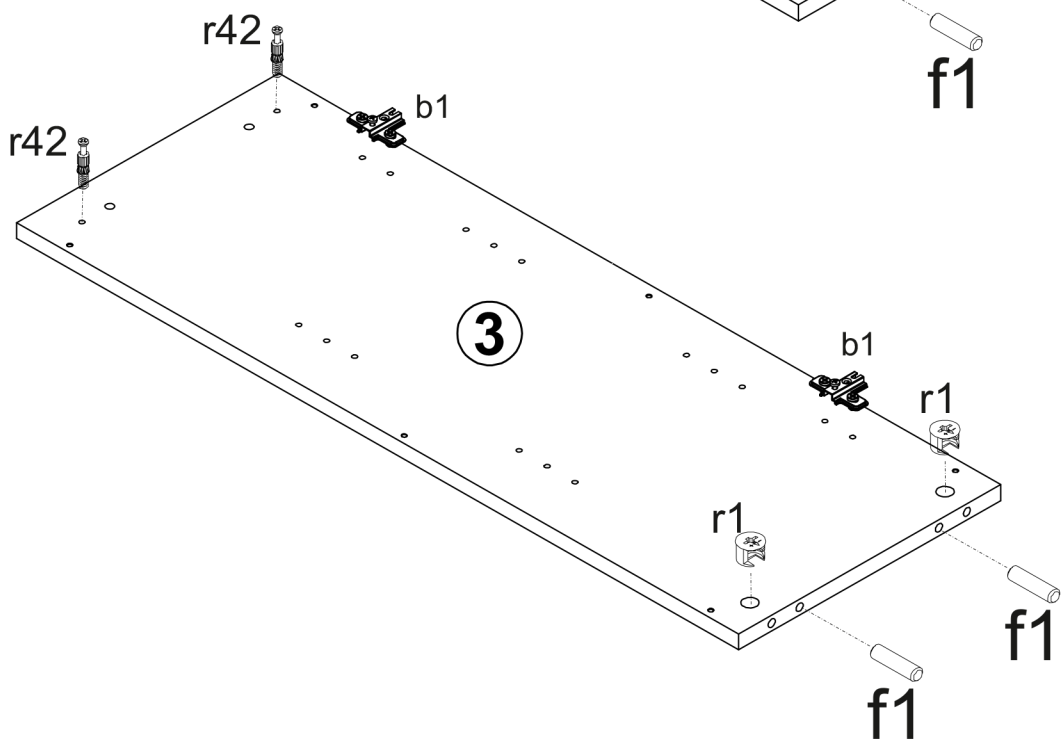
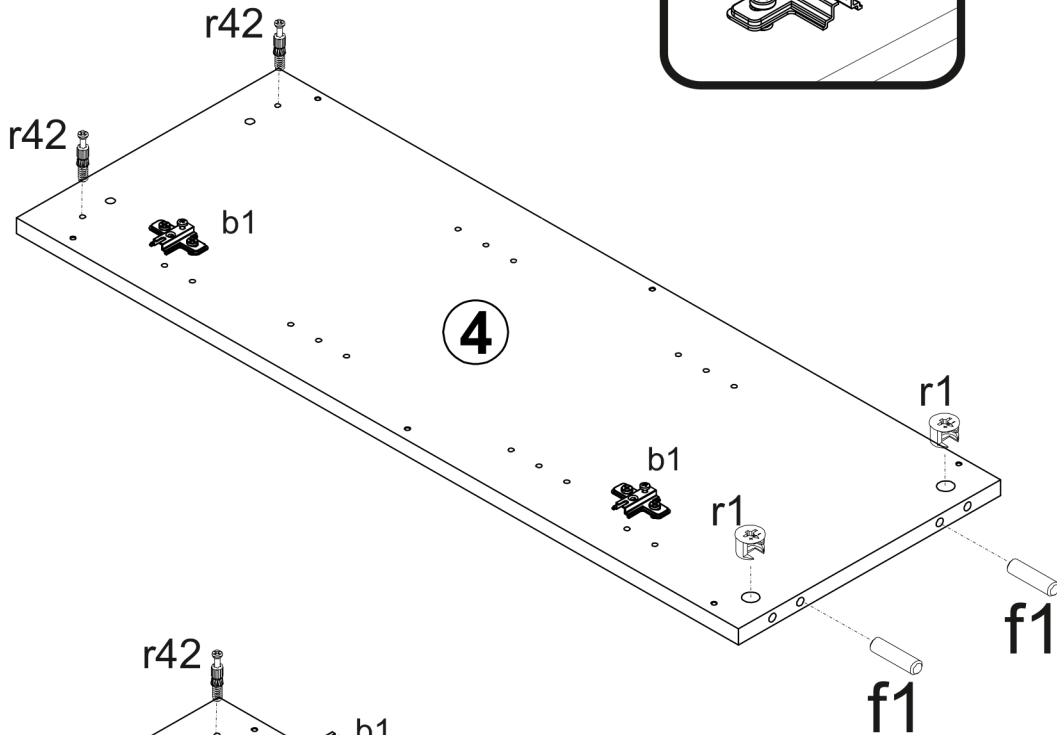
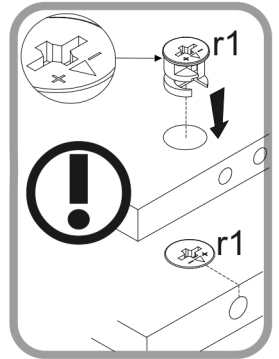
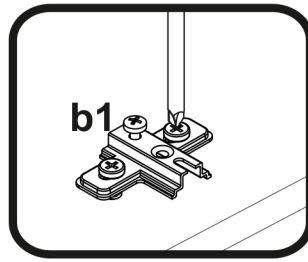
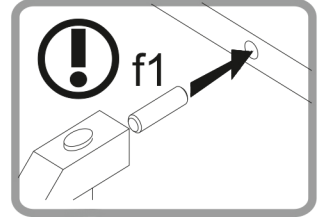
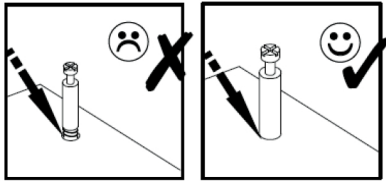
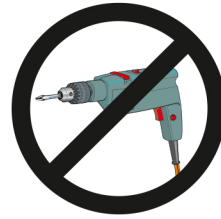
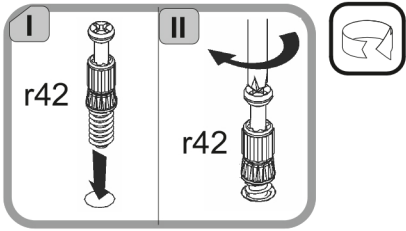
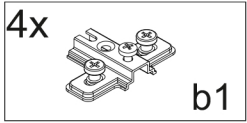
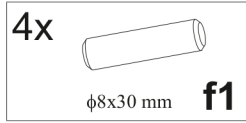
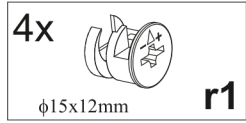
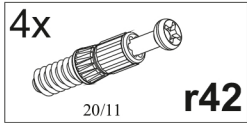
3x  250 mm **w17CL**

3x  250 mm **w17CR**

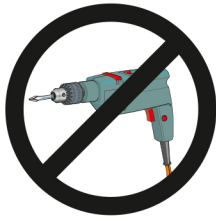
12x  $\phi 6 \times 13 \text{ mm}$ **e3**



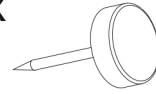
5



6



4x



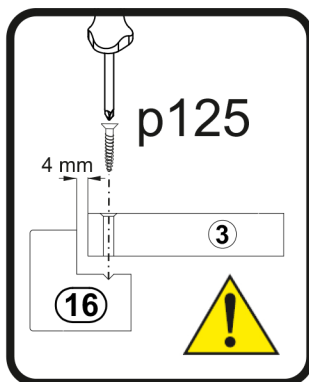
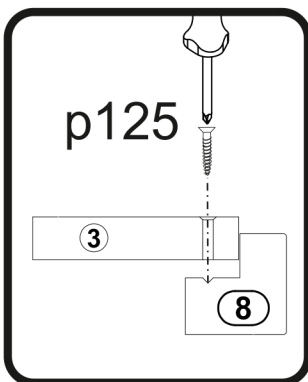
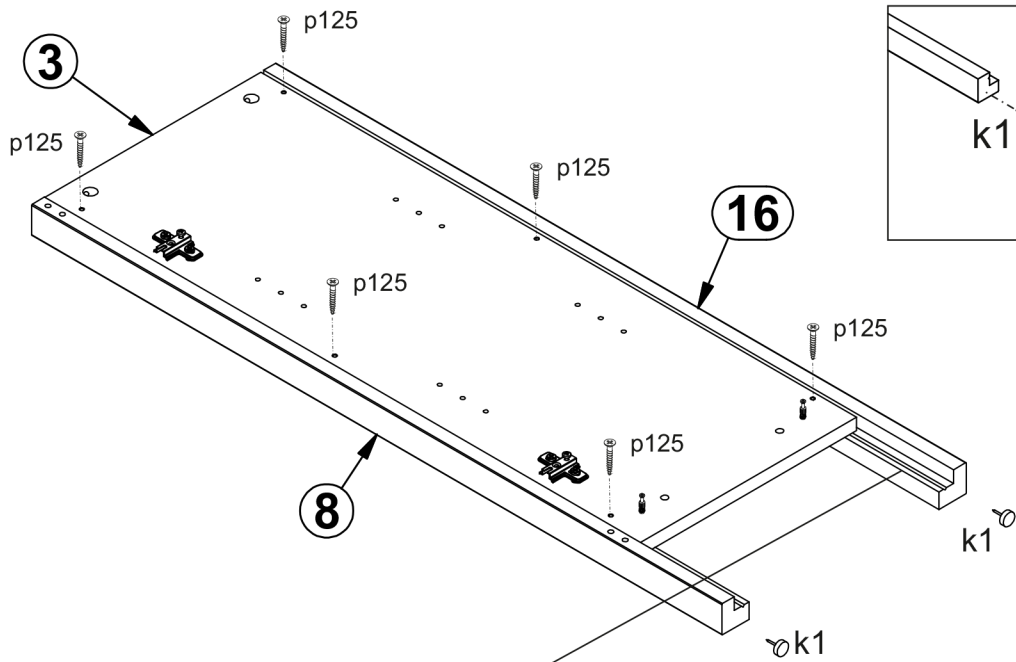
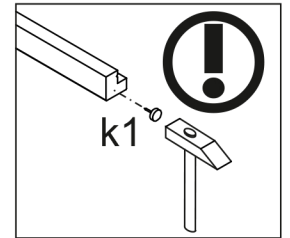
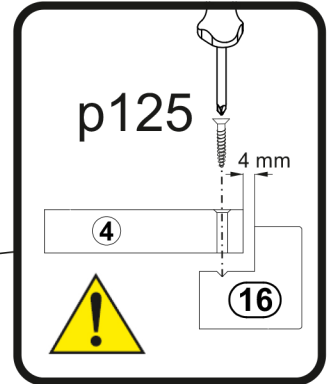
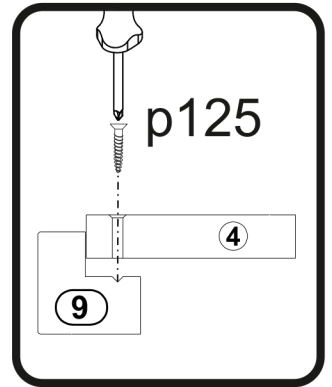
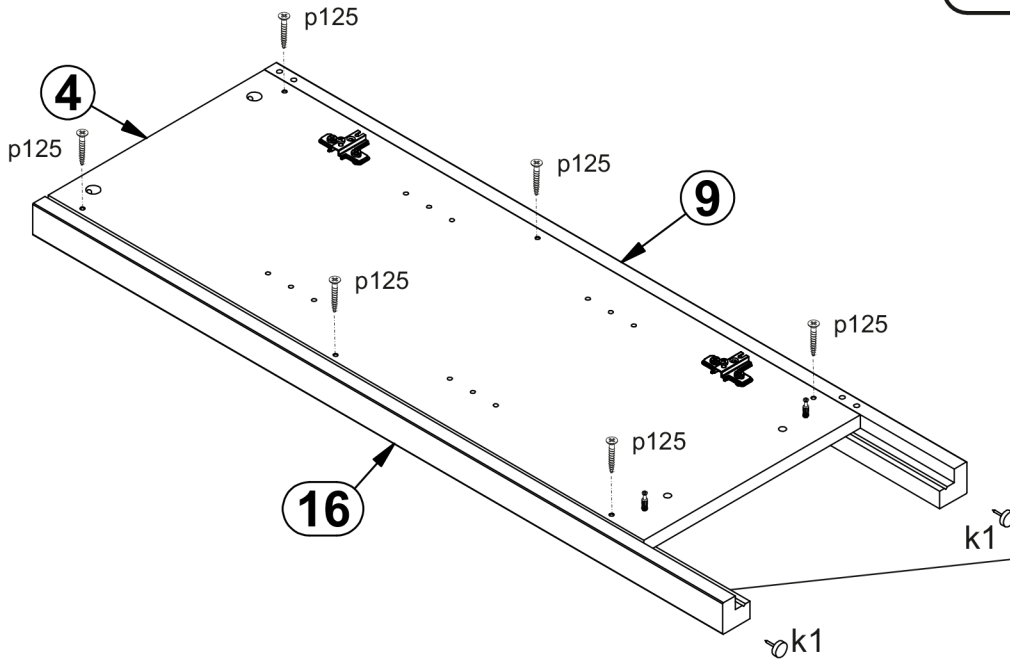
k1

12x

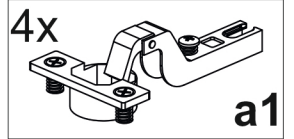
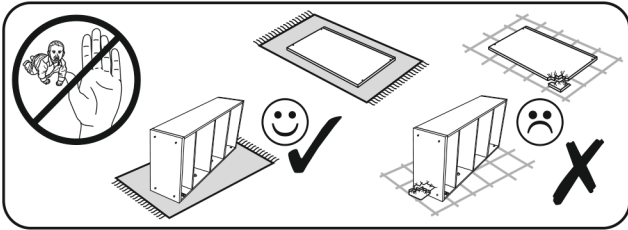


φ3x30 mm

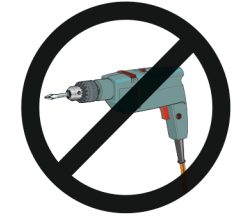
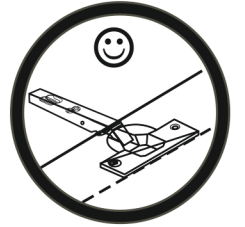
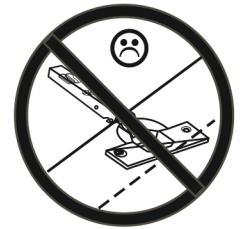
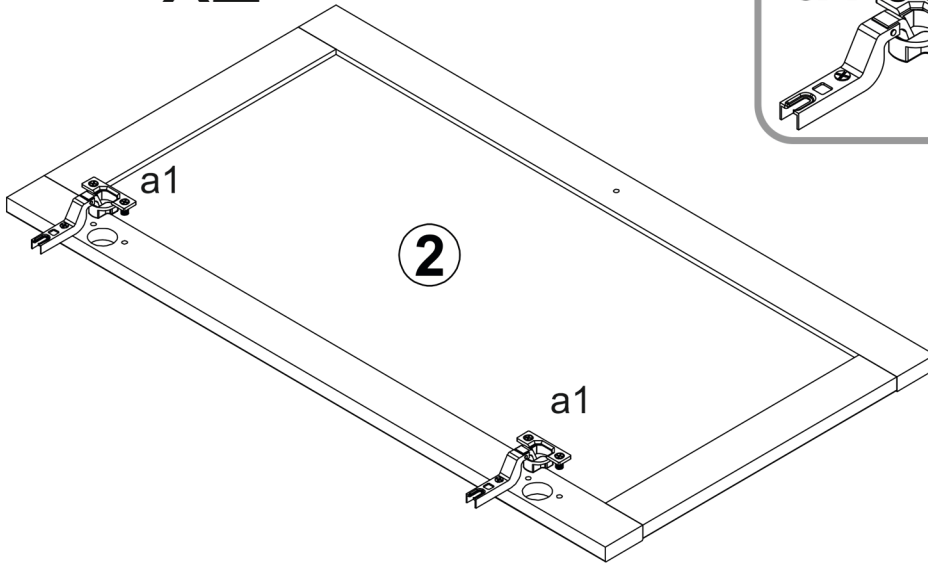
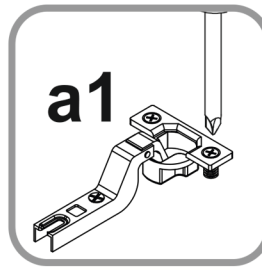
p125



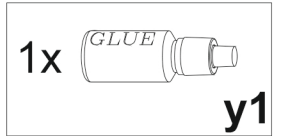
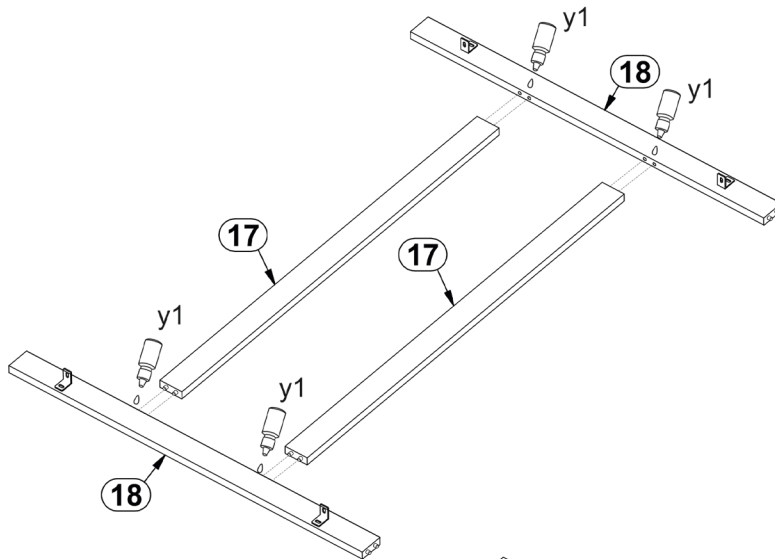
7



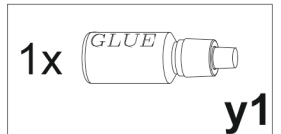
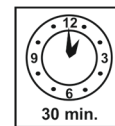
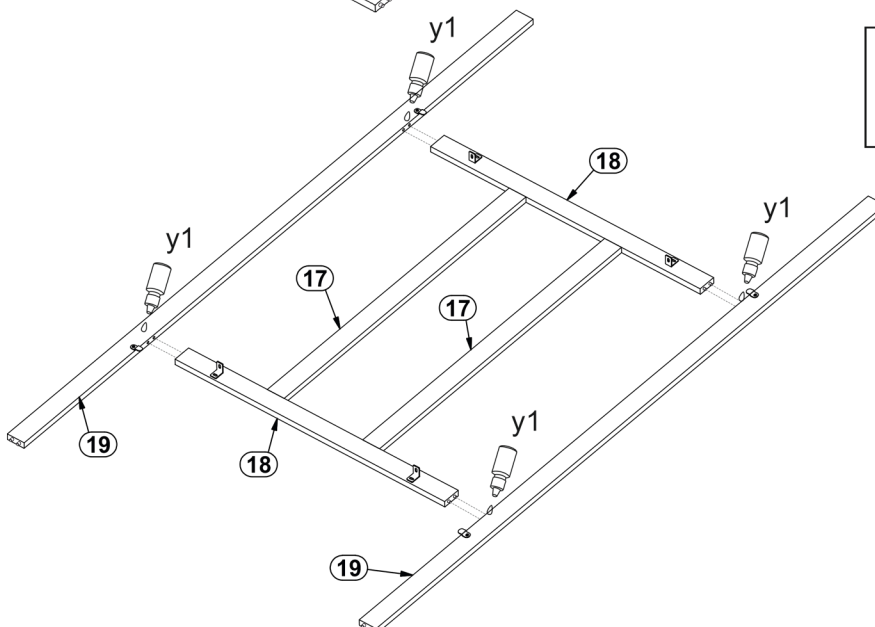
x2



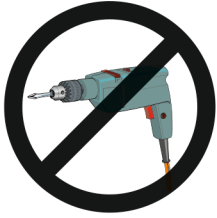
8



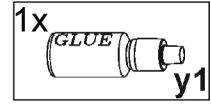
9



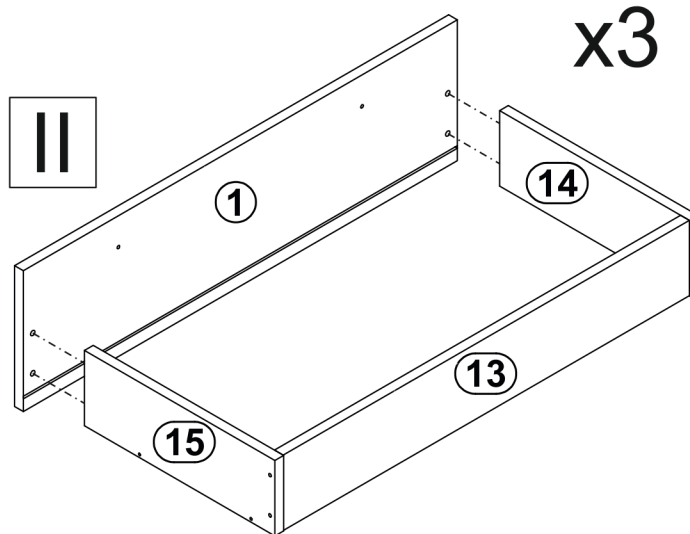
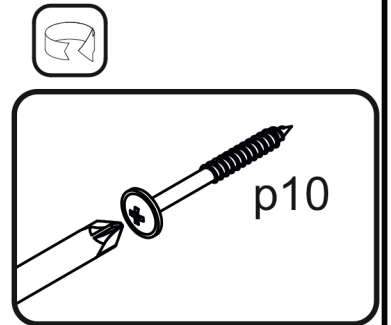
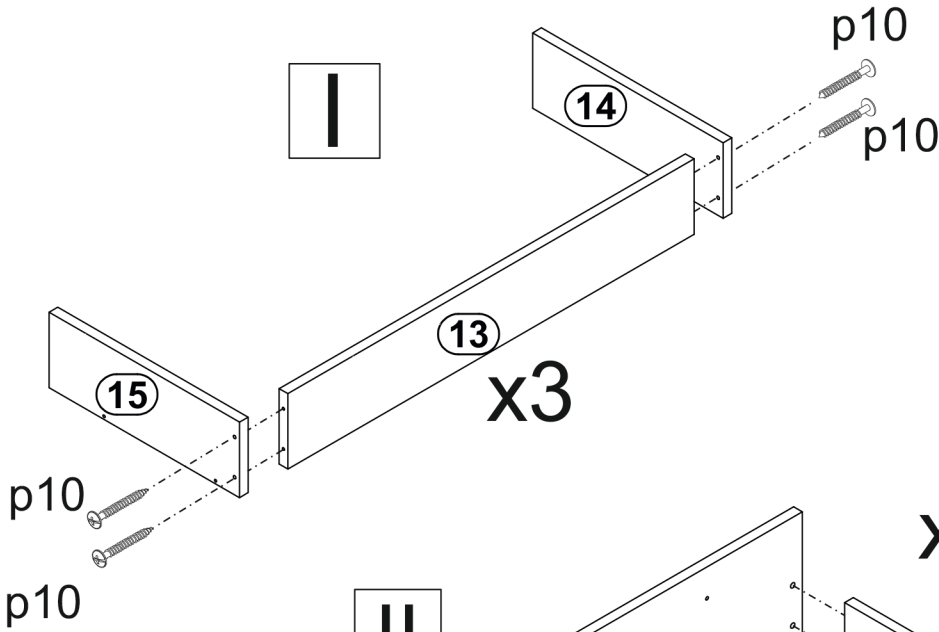
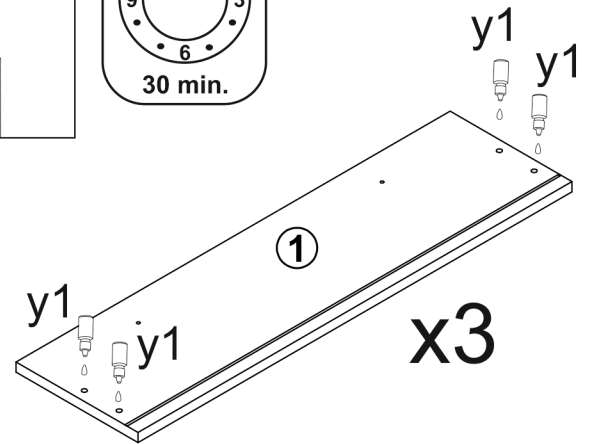
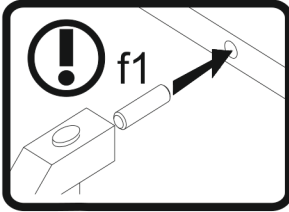
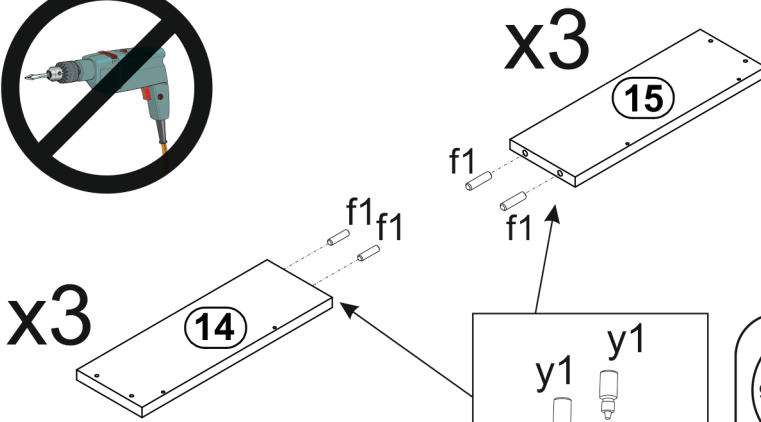
10



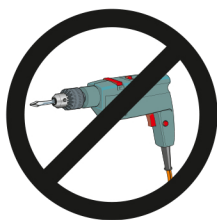
12x
φ4x40 mm p10



12x
φ8x30 mm f1



11



12x $\phi 5 \times 9$ mm **e19**

3x 250 mm **w17^{DR}**

3x 250 mm **w17^{DL}**

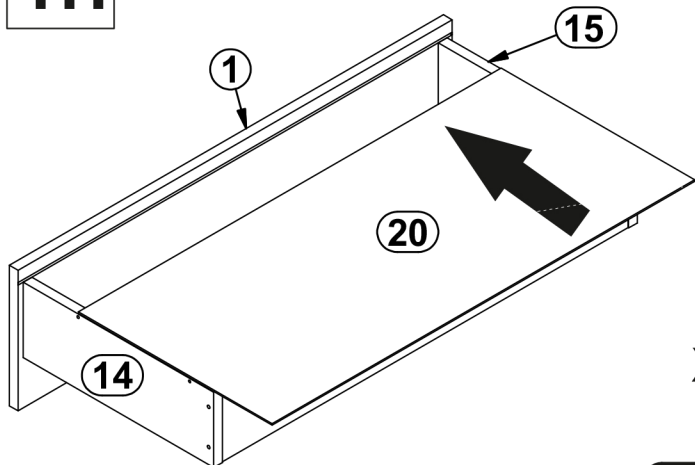
6x $\phi 3,5 \times 16$ mm **p25**

3x 250 mm **t40**

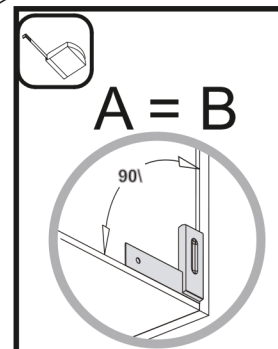
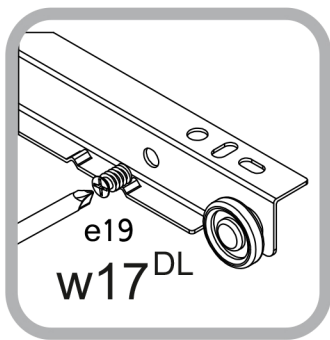
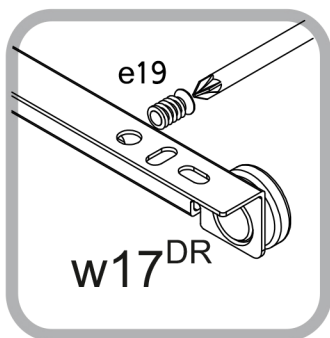
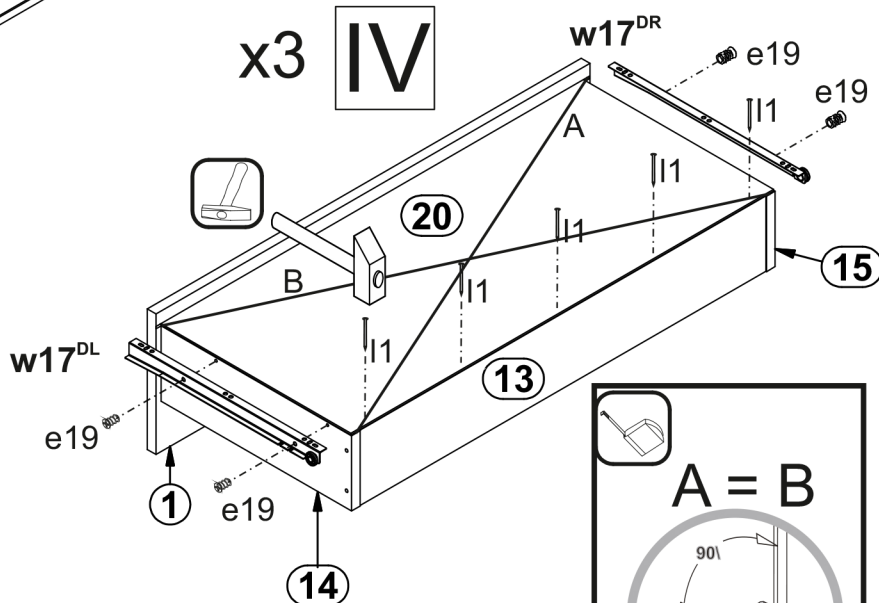
15x **l1**



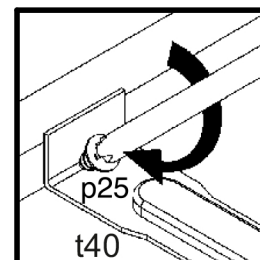
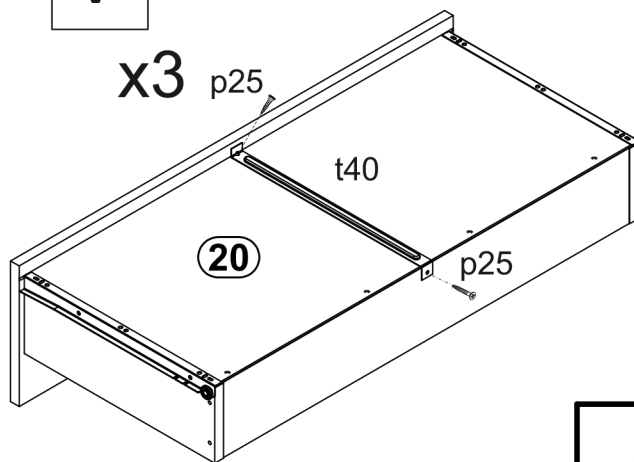
x3



x3

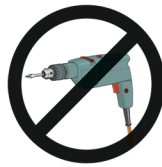


x3

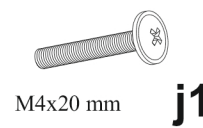


12

VI



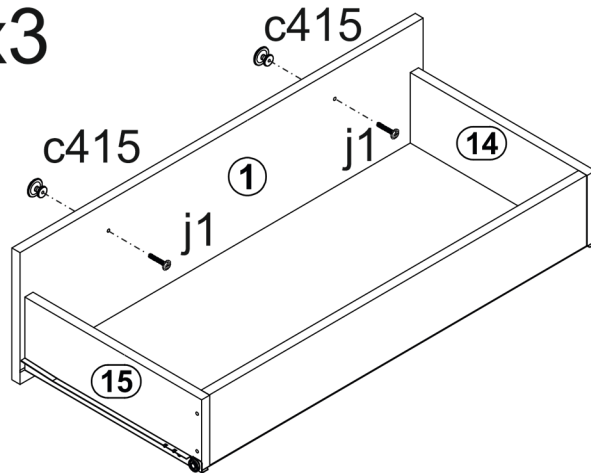
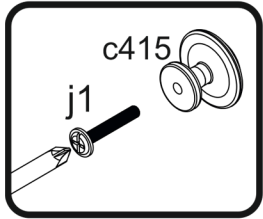
6x



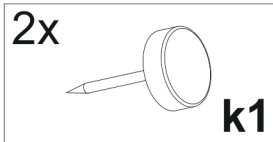
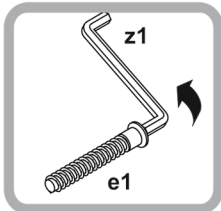
6x



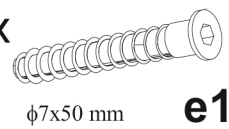
x3



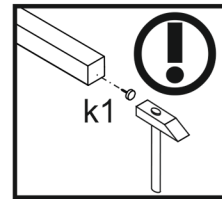
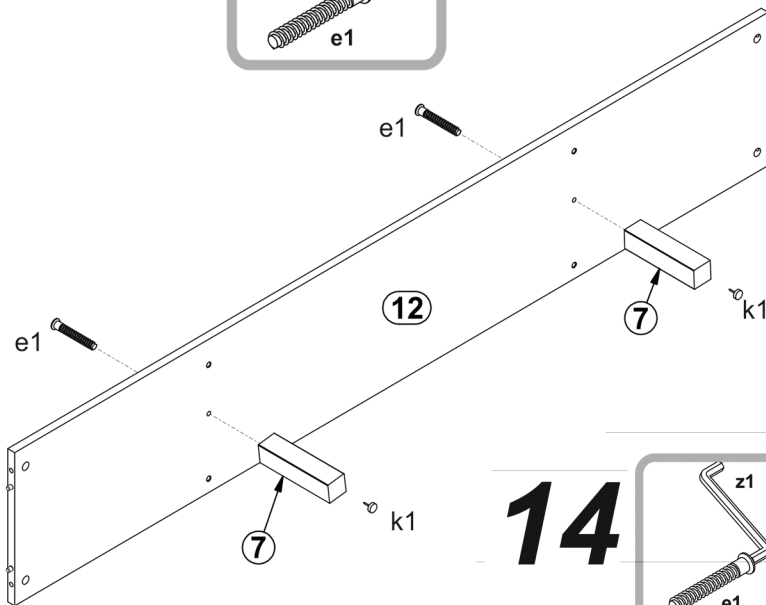
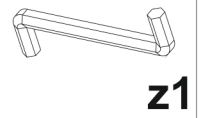
13



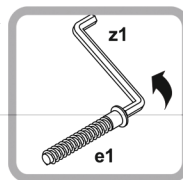
2x



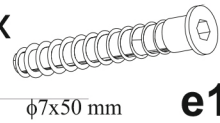
1x



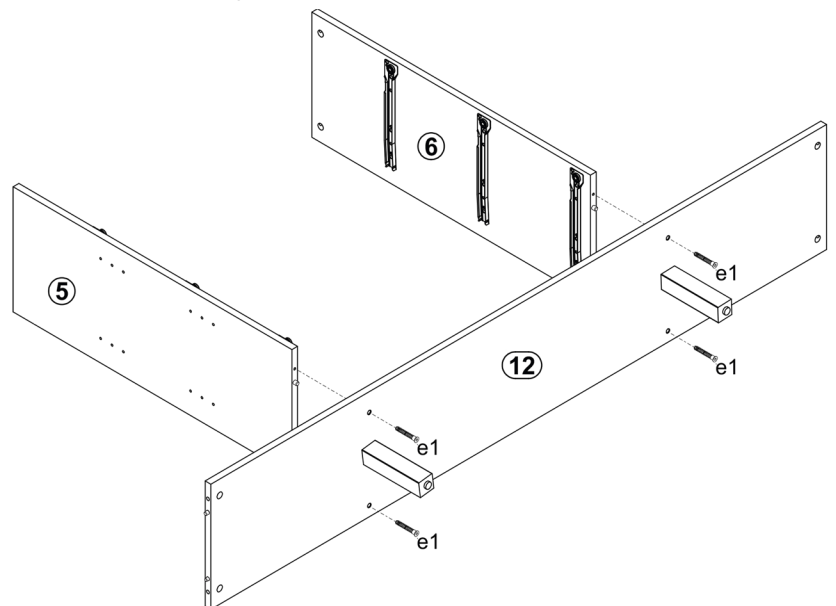
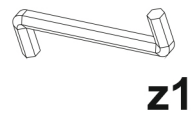
14



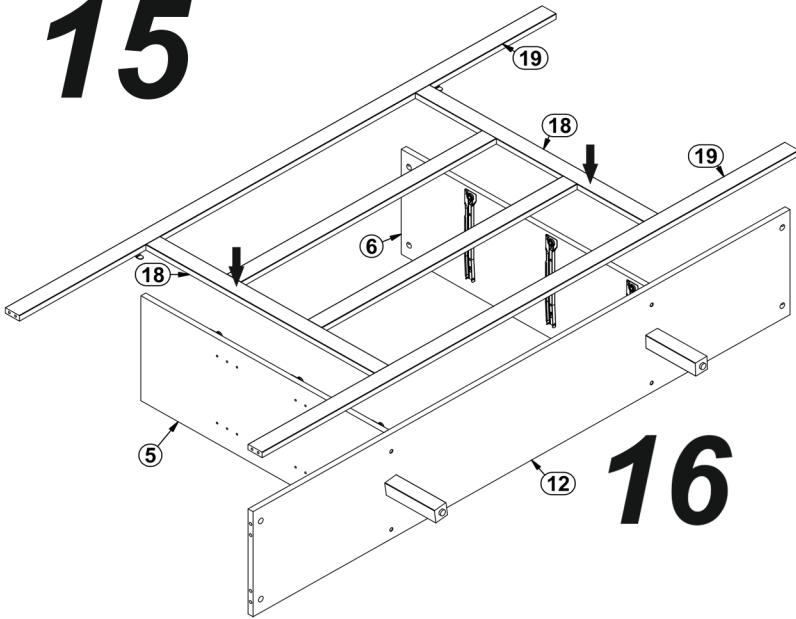
4x



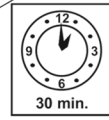
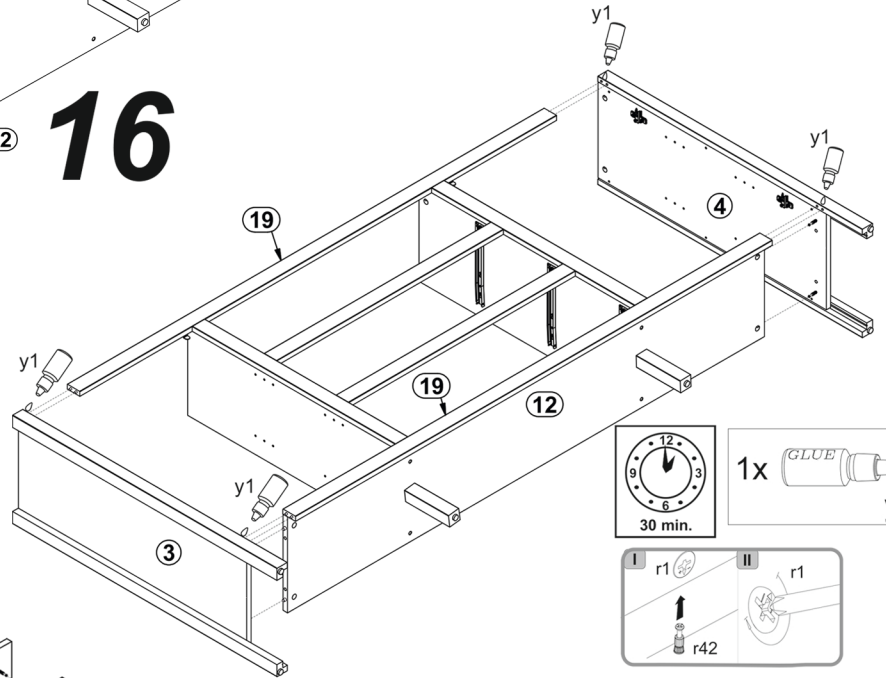
1x



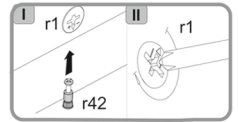
15



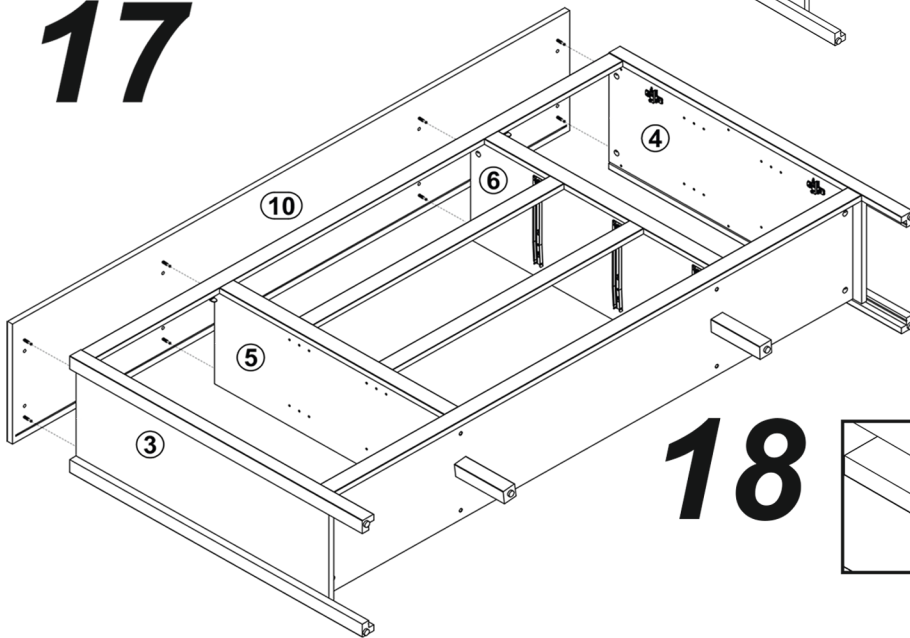
16



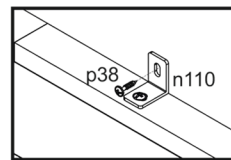
1x **GLUE** **y1**

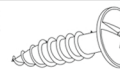


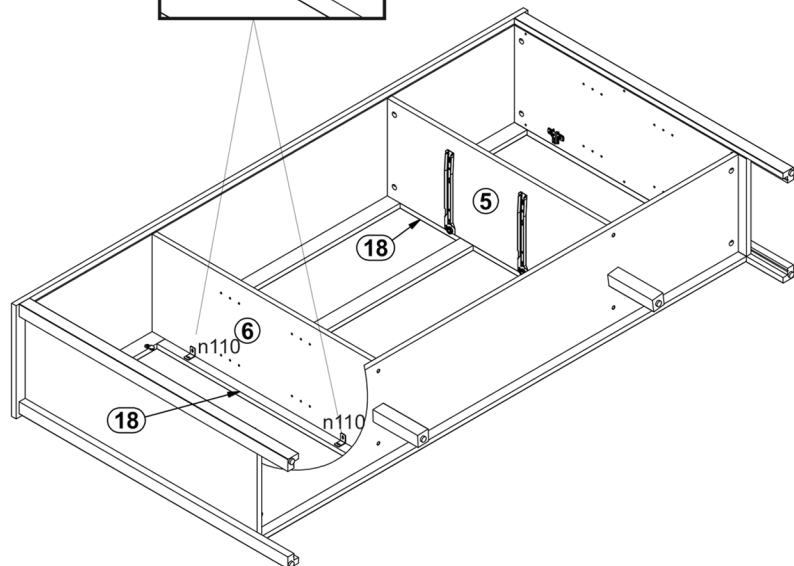
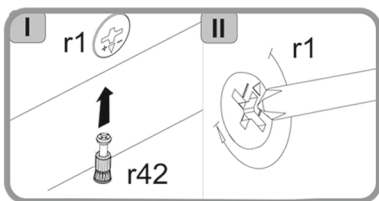
17



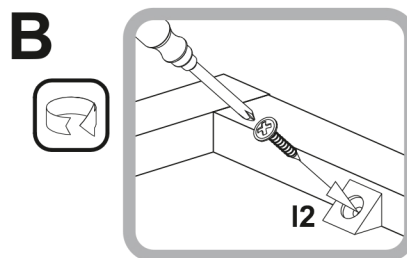
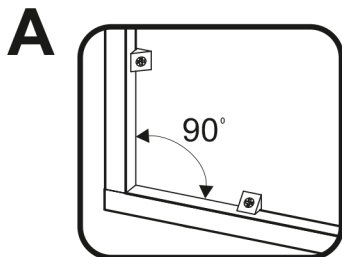
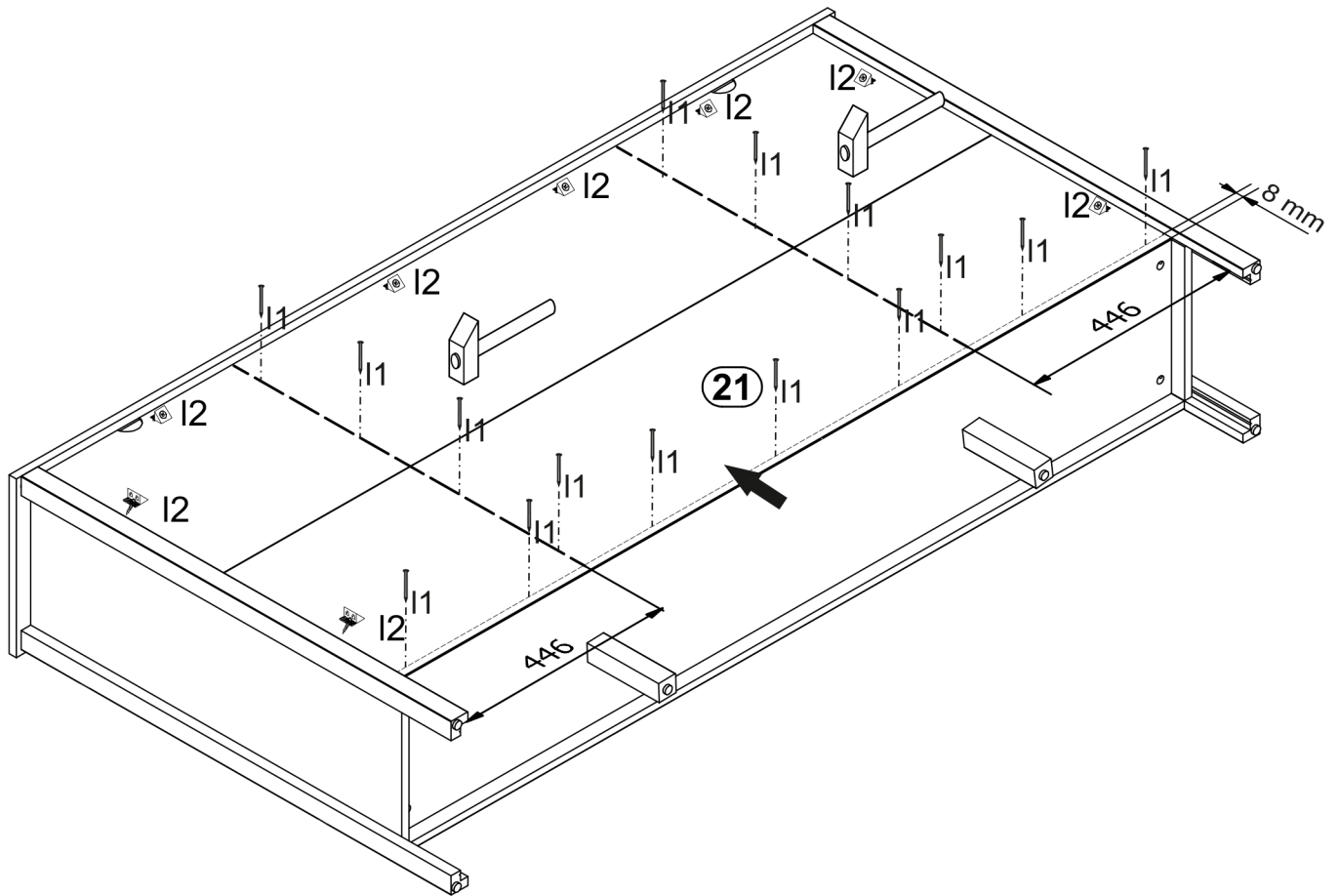
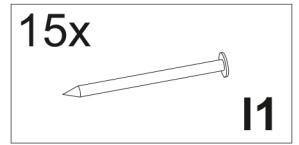
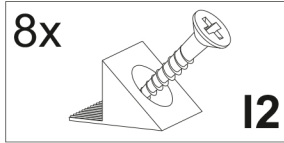
18



4x  **p38**
φ3,5x16 mm

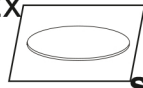


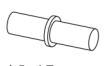
19

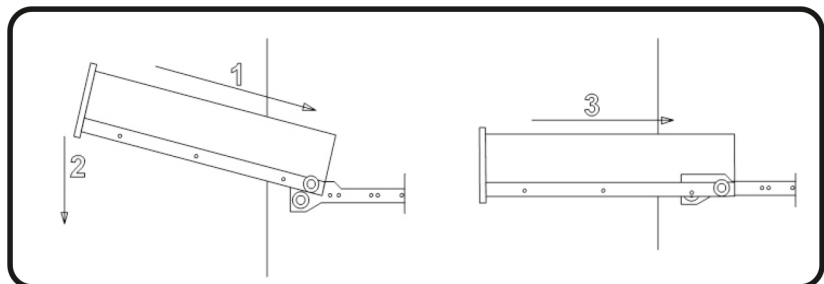
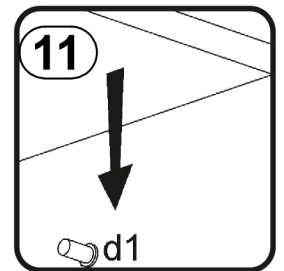
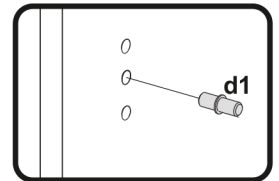
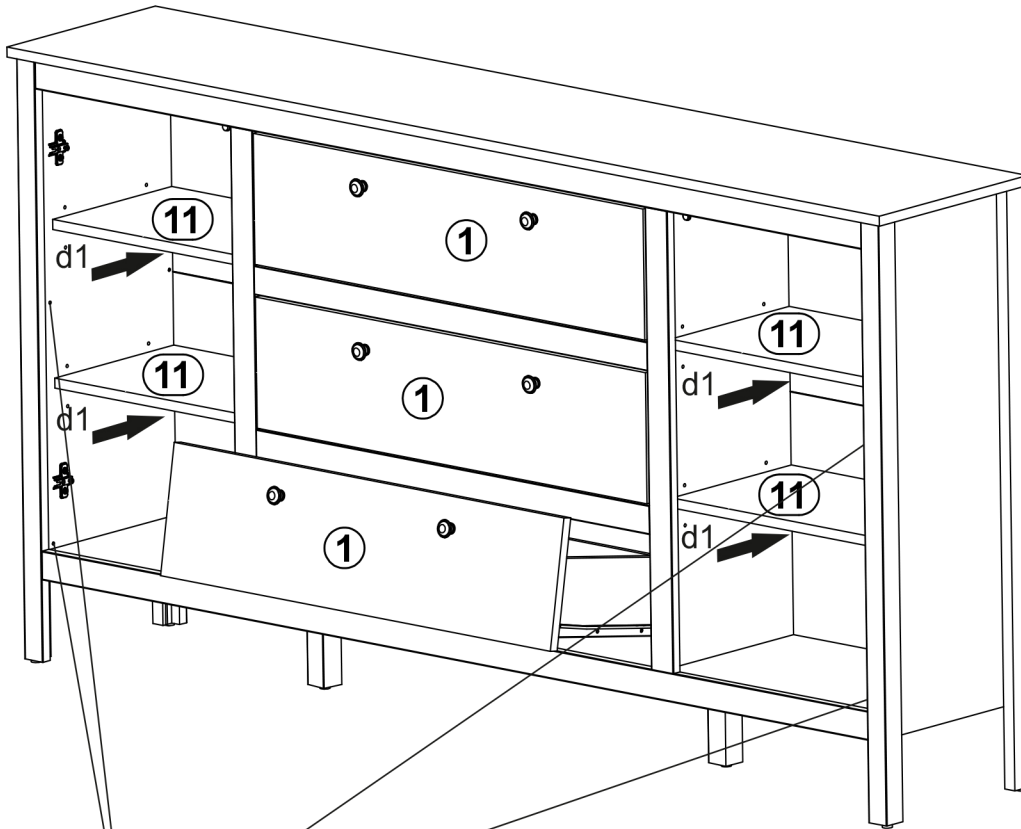
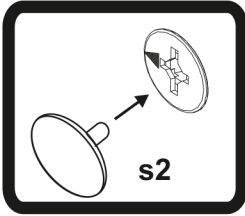


20

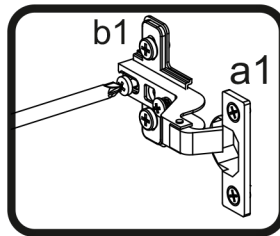
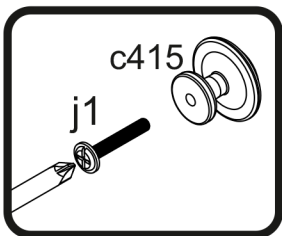
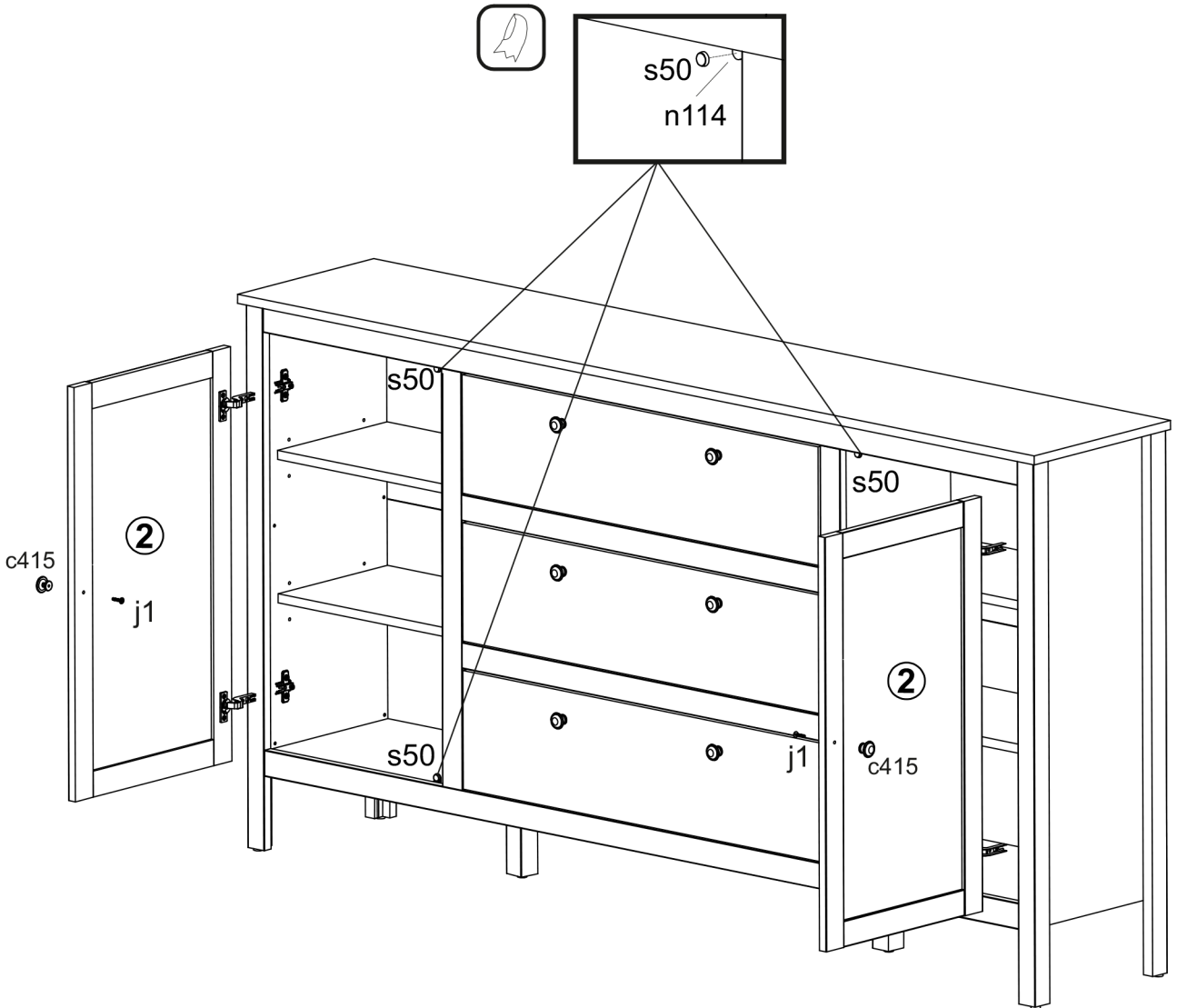
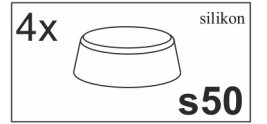
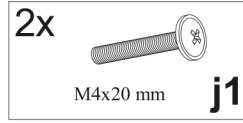
4x  $\varnothing 16$ s2

12x  s59

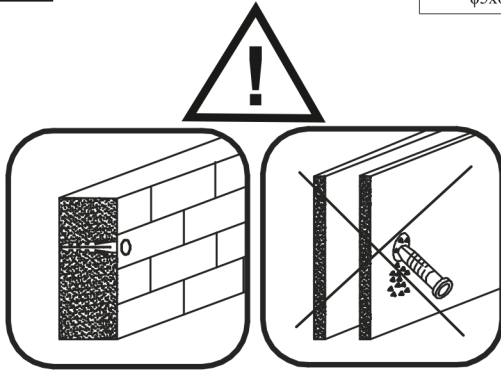
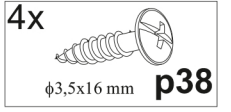
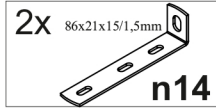
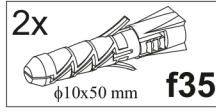
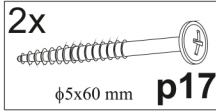
16x  $\varnothing 5 \times 17 \text{ mm}$ d1



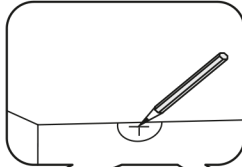
21



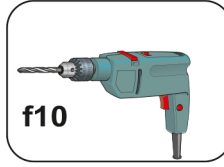
22



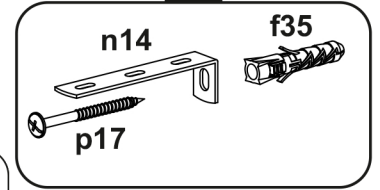
A



B



C



D

