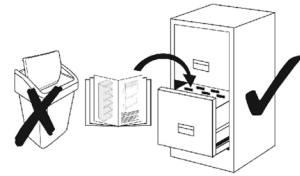
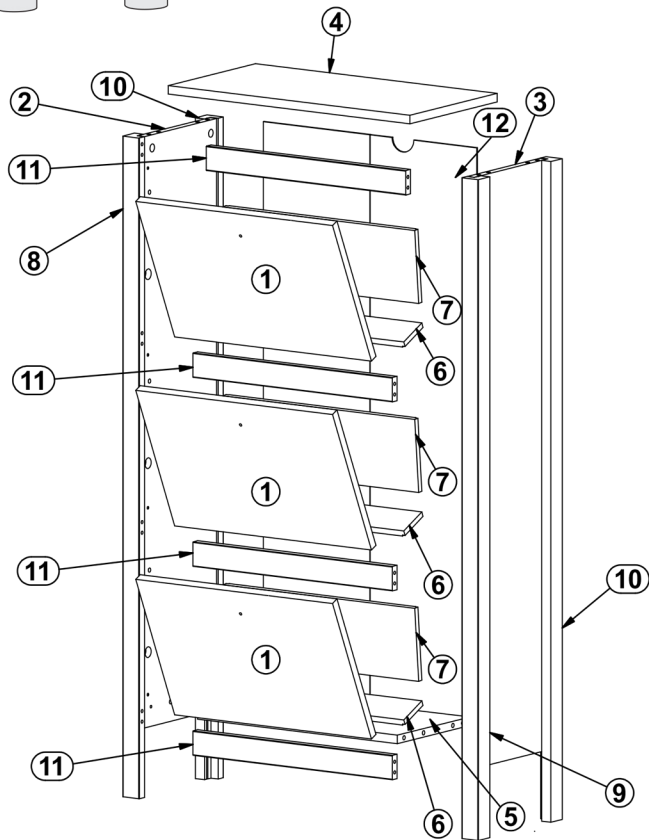
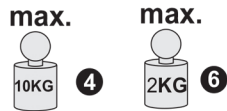
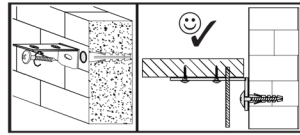
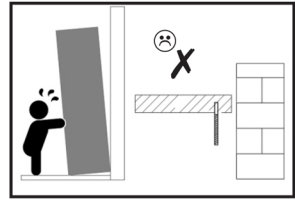
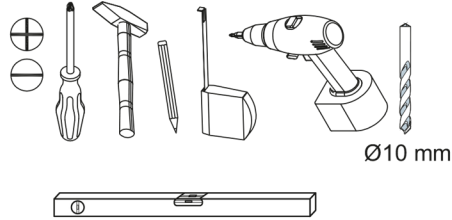
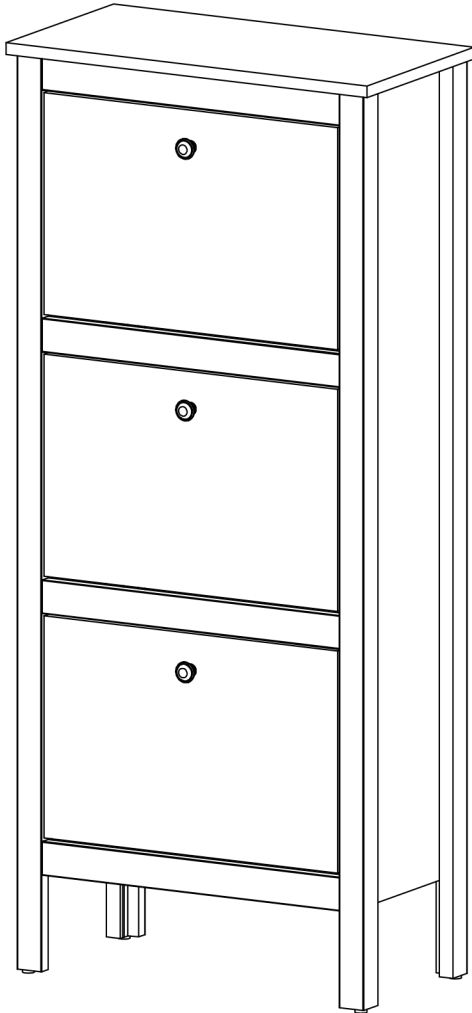
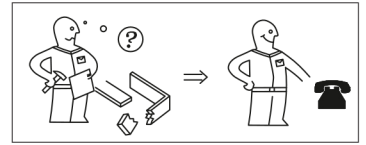
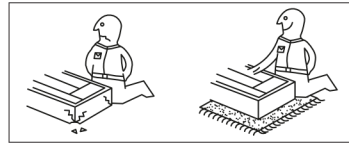
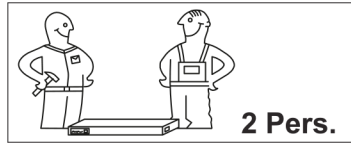
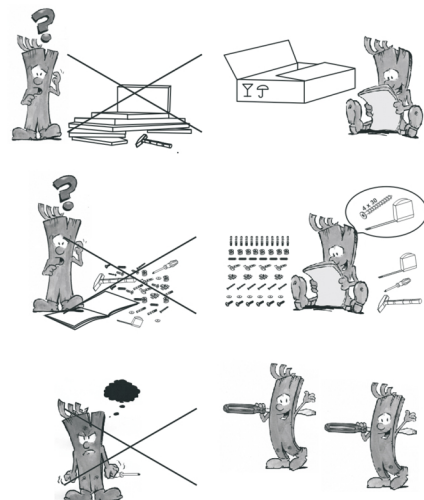


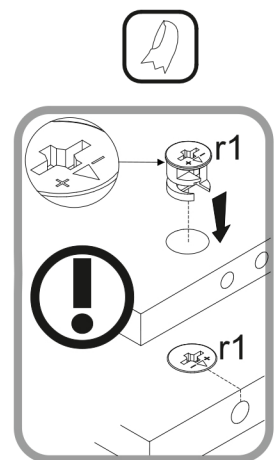
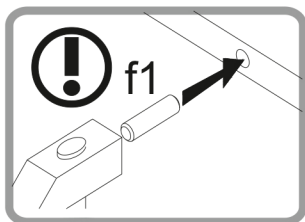
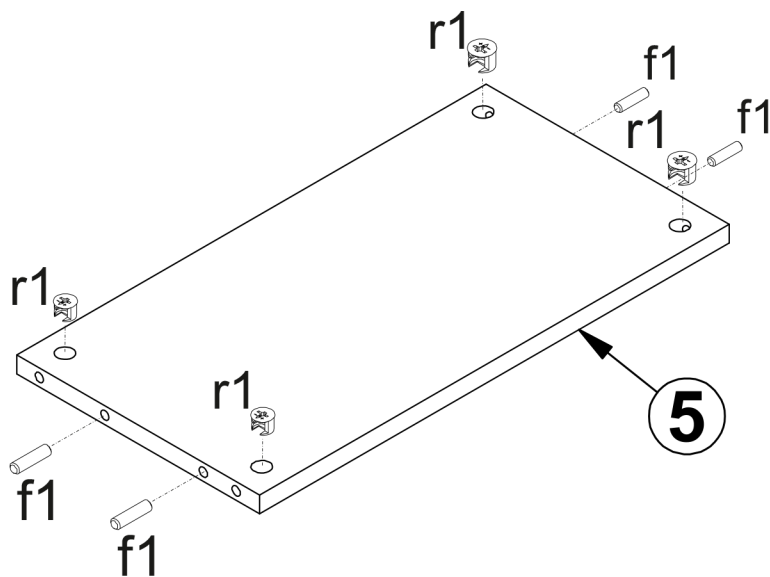
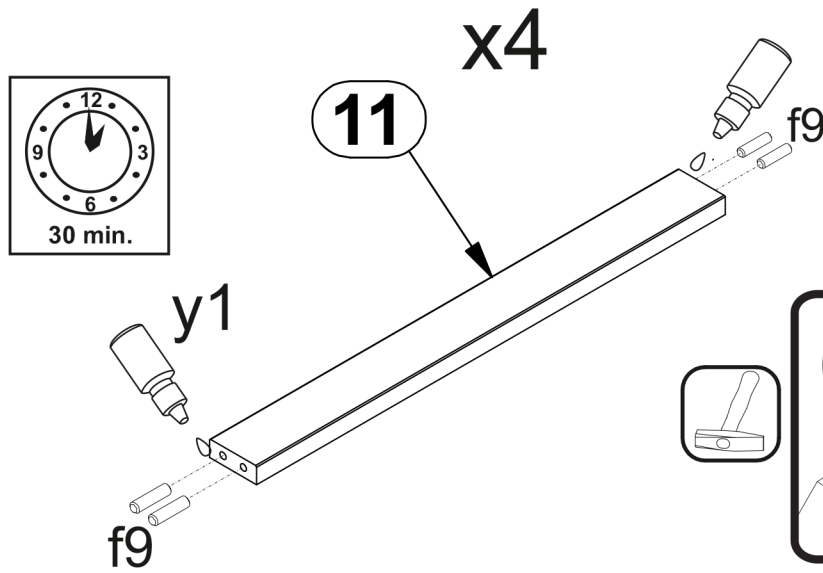
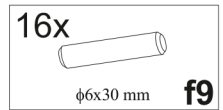
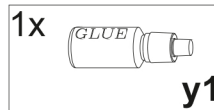
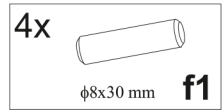
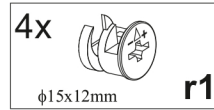
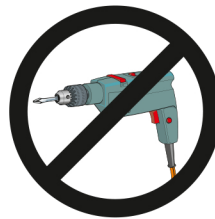
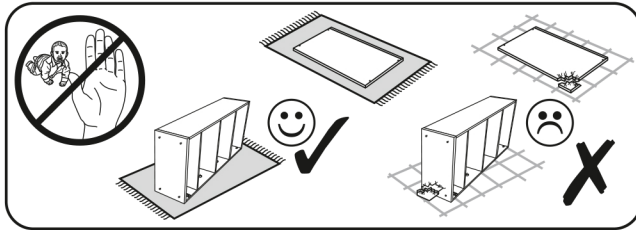
OLJE 3K



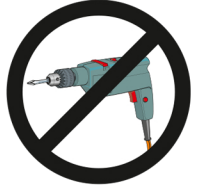
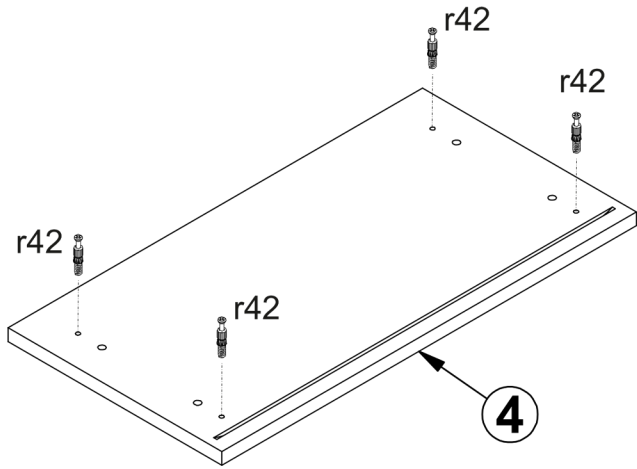
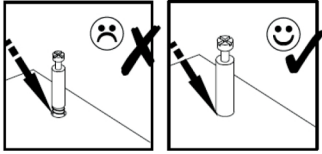
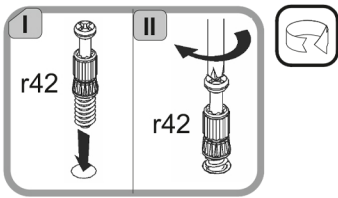
| | | | | |
|--------------------------------|------------------------------|---------------------------|-----------------------------|-----------------------------|
| 3x c415 | 24x e2 φ6.3x13 mm | 8x f1 φ8x30 mm | 16x f9 φ6x30 mm | 6x f15 |
| 1x f35 φ10x50 mm | 3x j1 M4x20 mm | 4x k1 | 4x l1 | 5x l2 |
| 6x m10 | 6x m11 | 3x m18P | | 3x m18L |
| 1x n14 86x21x151.5mm | 24x p15 φ2.5x13 mm | 1x p17 φ5x60 mm | 2x p38 φ3.5x16 mm | 16x p125 φ3x30 mm |
| 8x r1 φ15x12mm | 8x r42 2011 | 4x s2 φ16 | 16x s59 | 1x y1 GLUE |



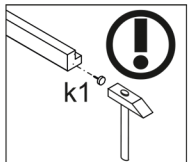
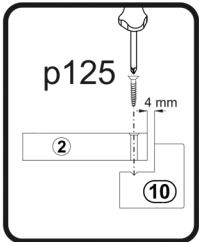
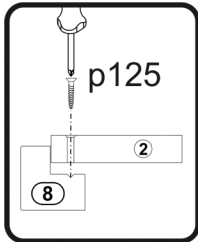
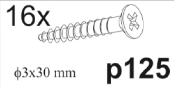
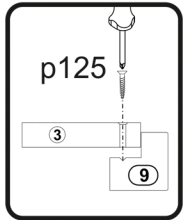
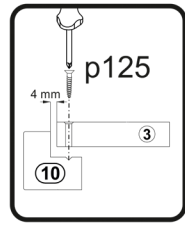
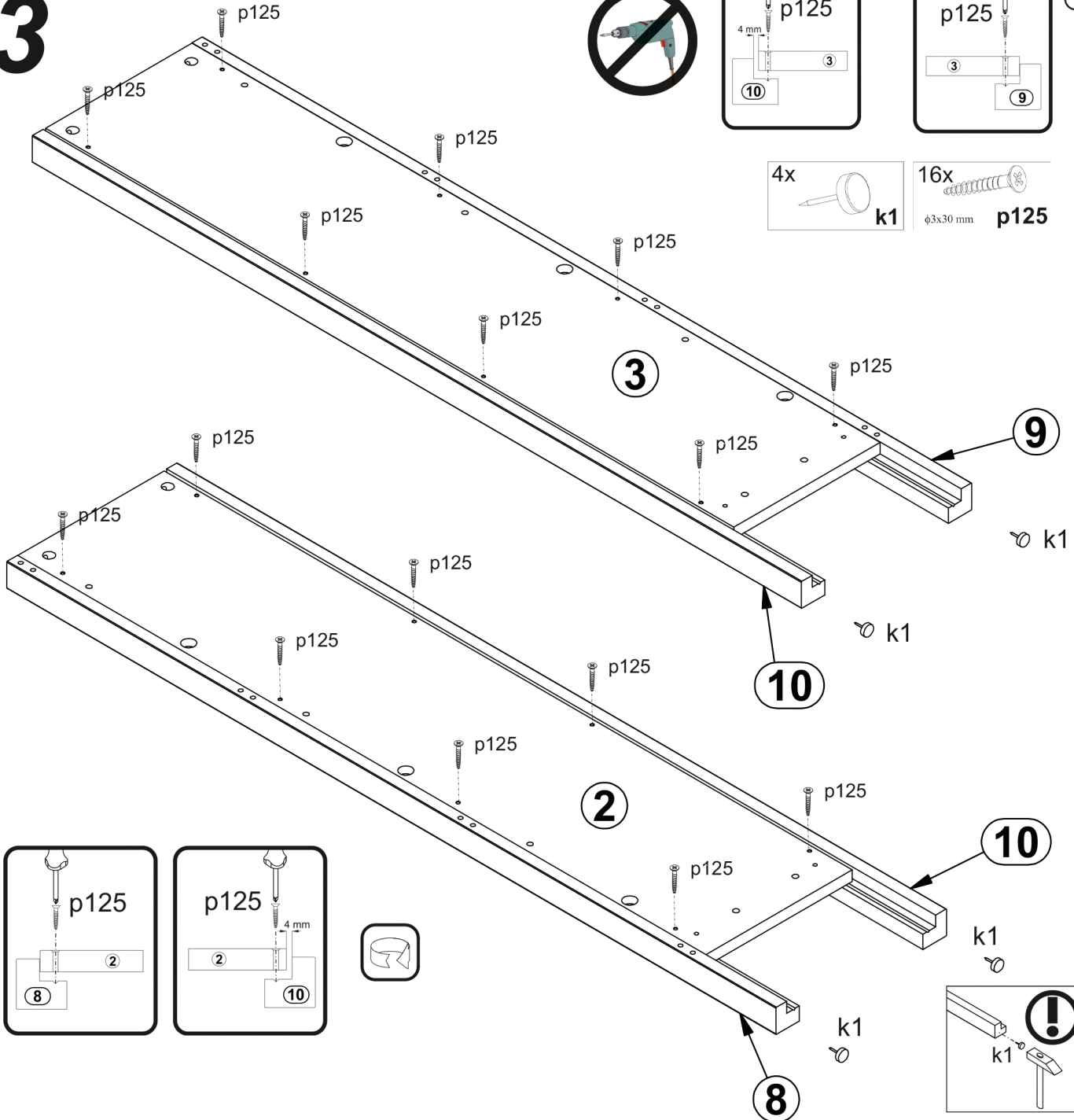
1



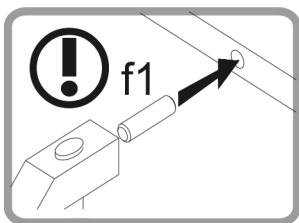
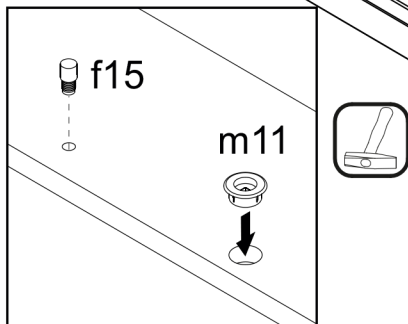
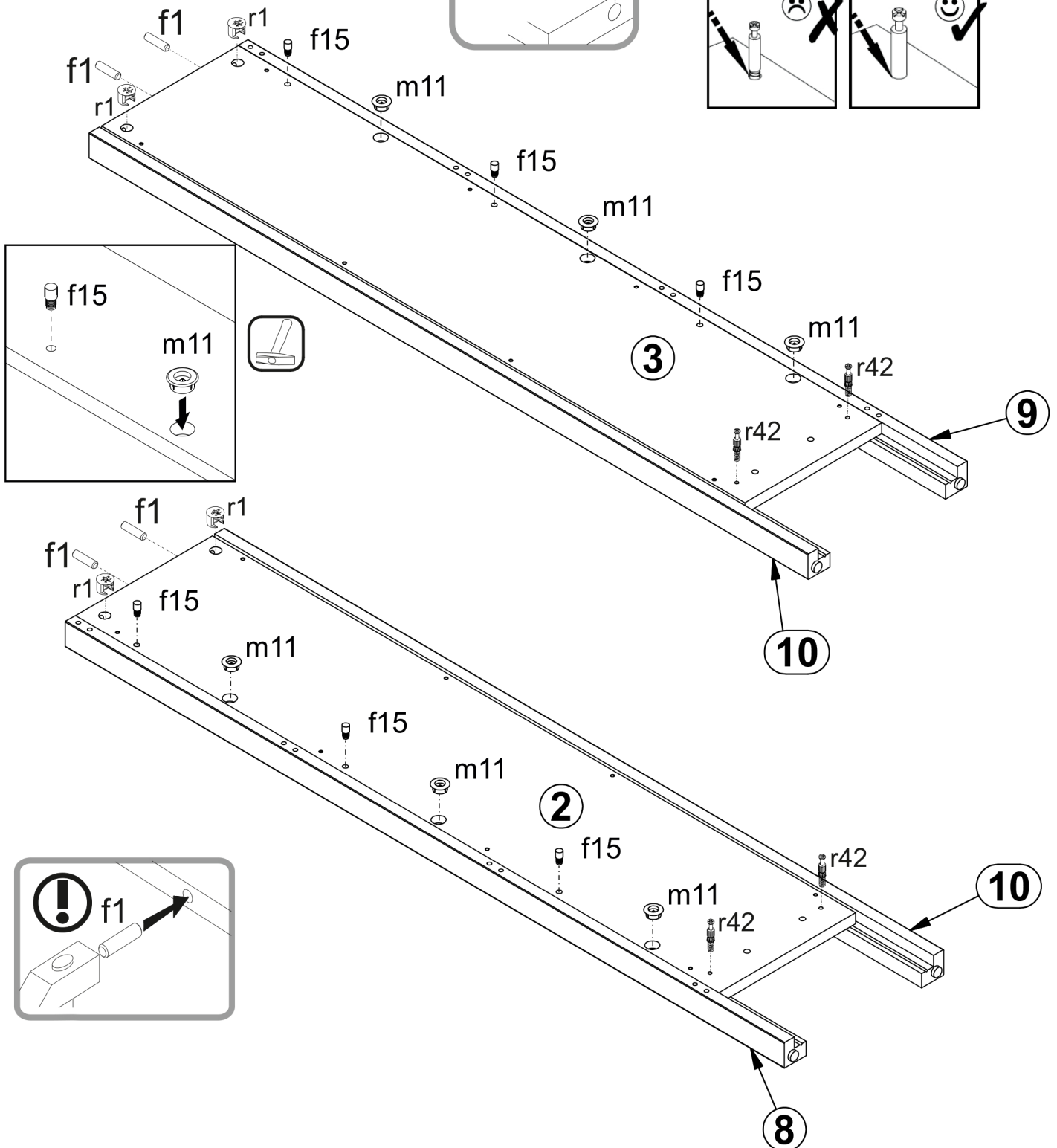
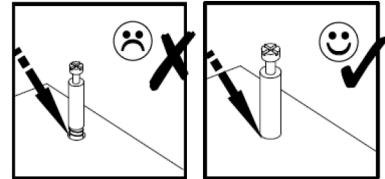
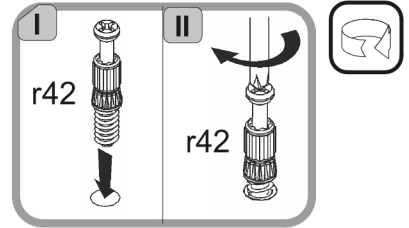
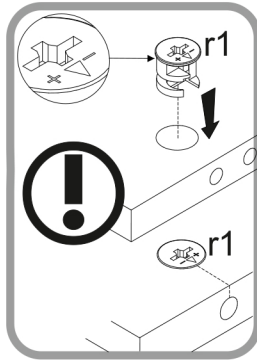
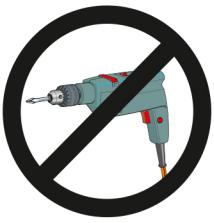
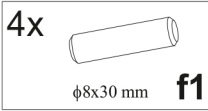
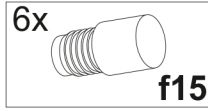
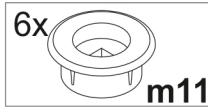
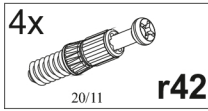
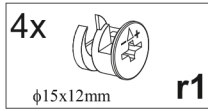
2



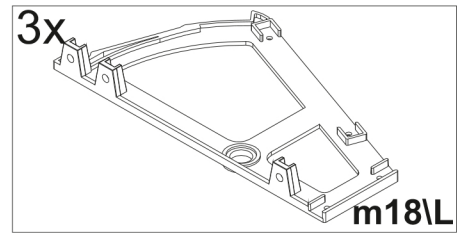
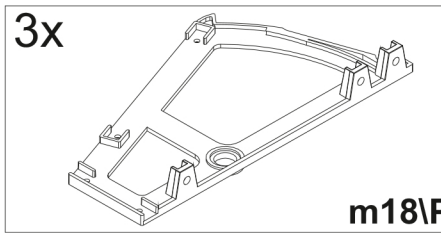
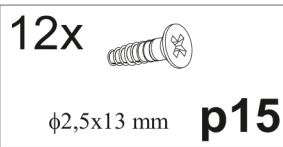
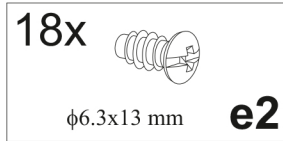
3



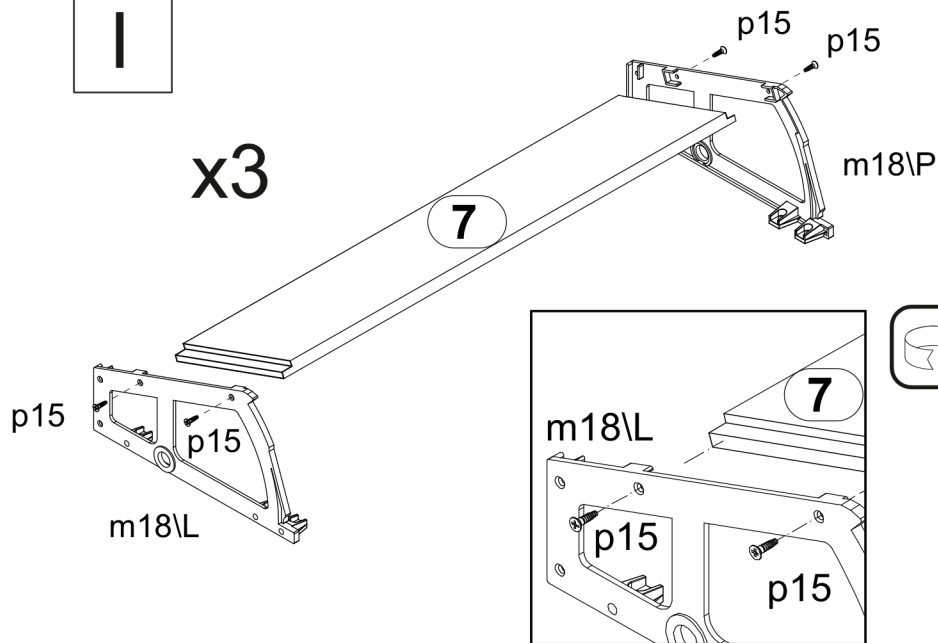
4



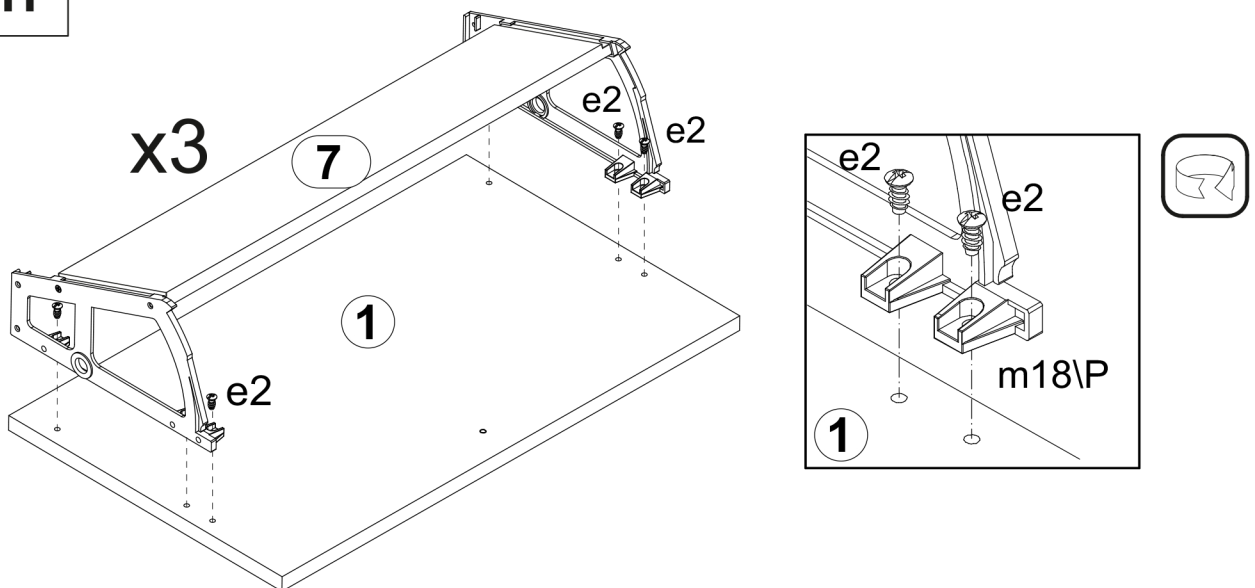
5



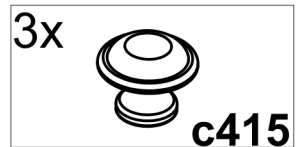
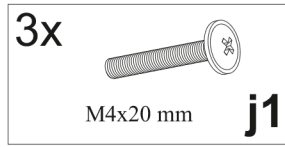
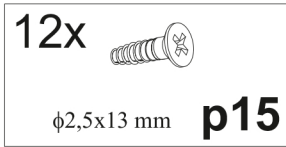
I



II

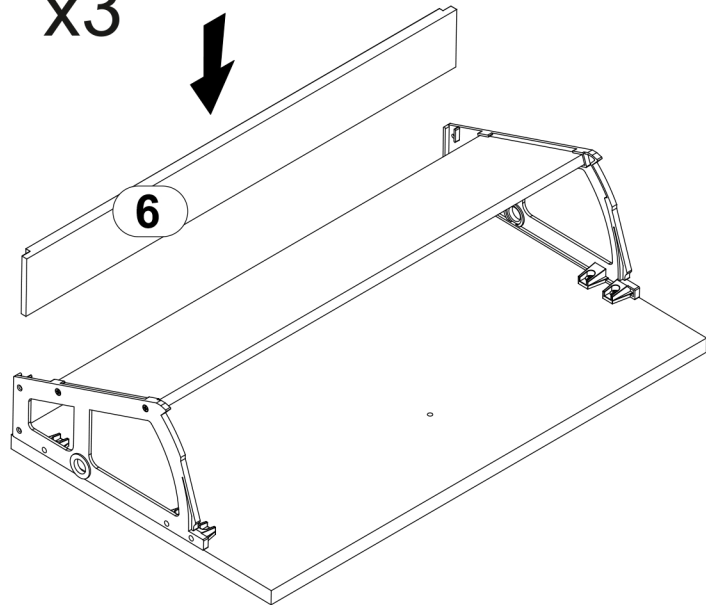


6

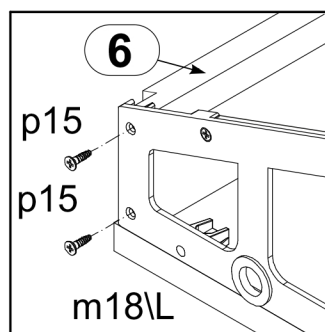


III

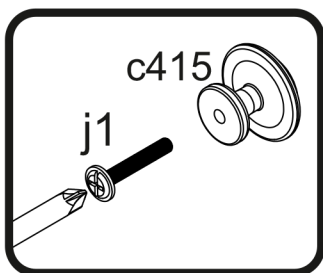
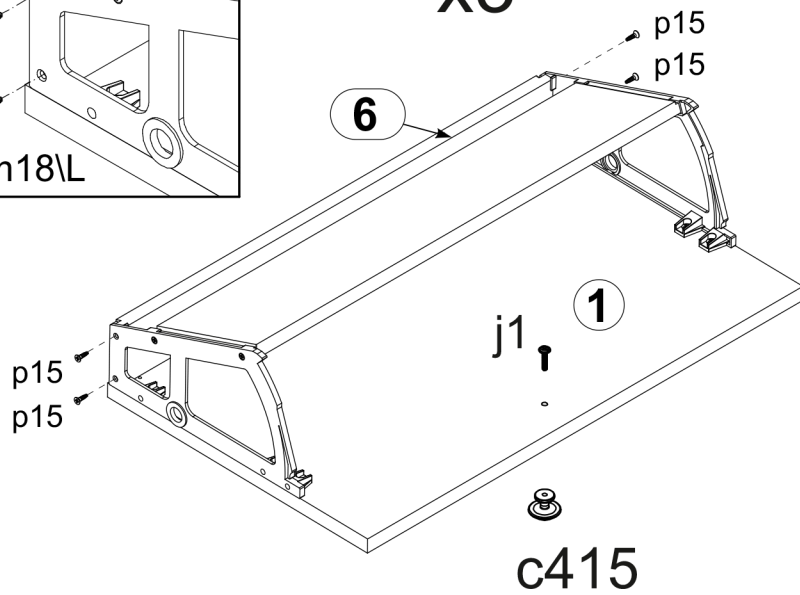
x3



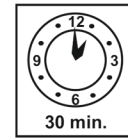
IV



x3

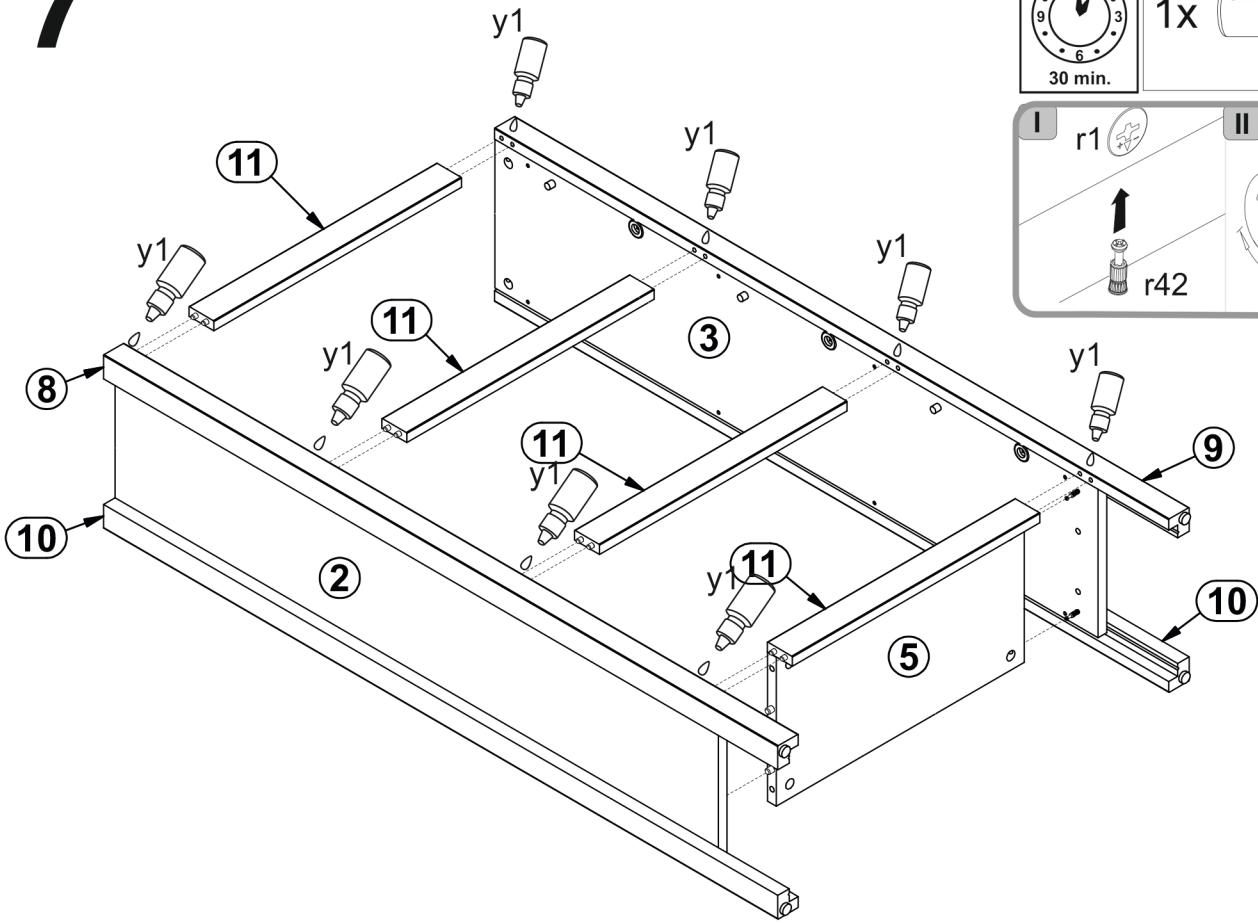
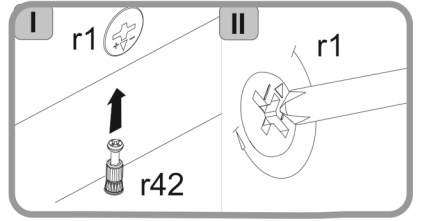


7

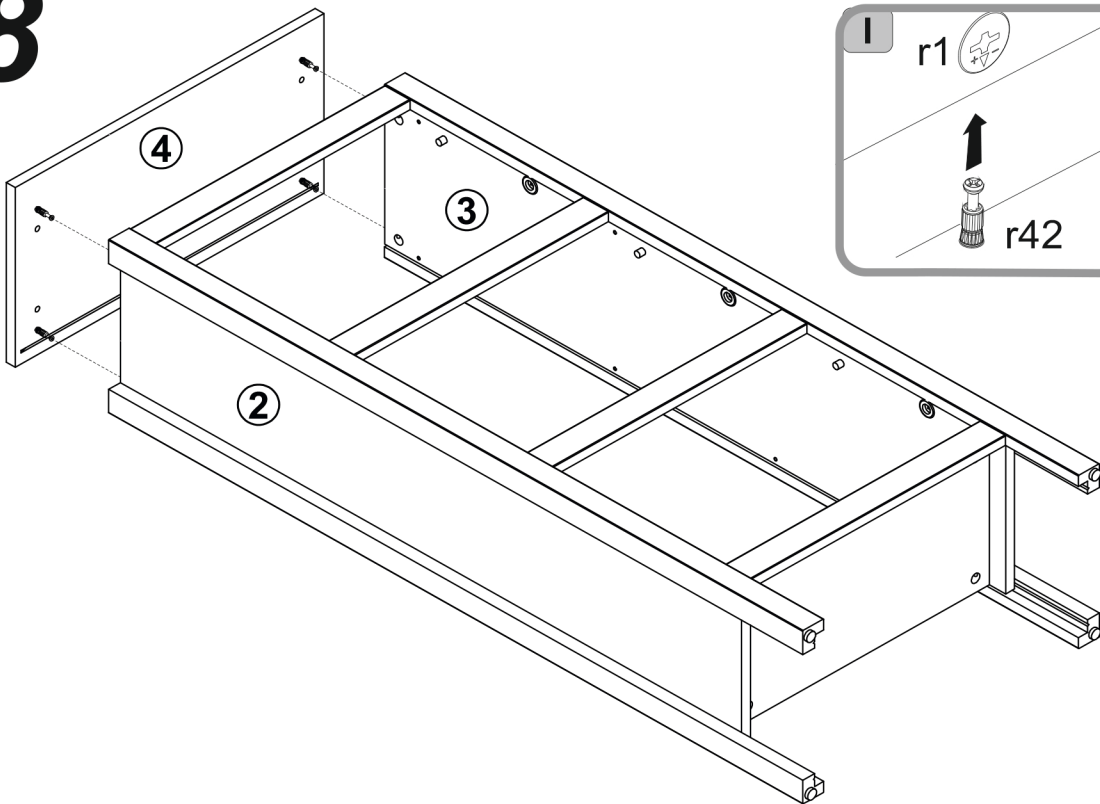
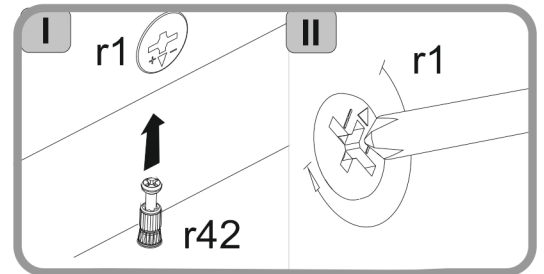


1x 

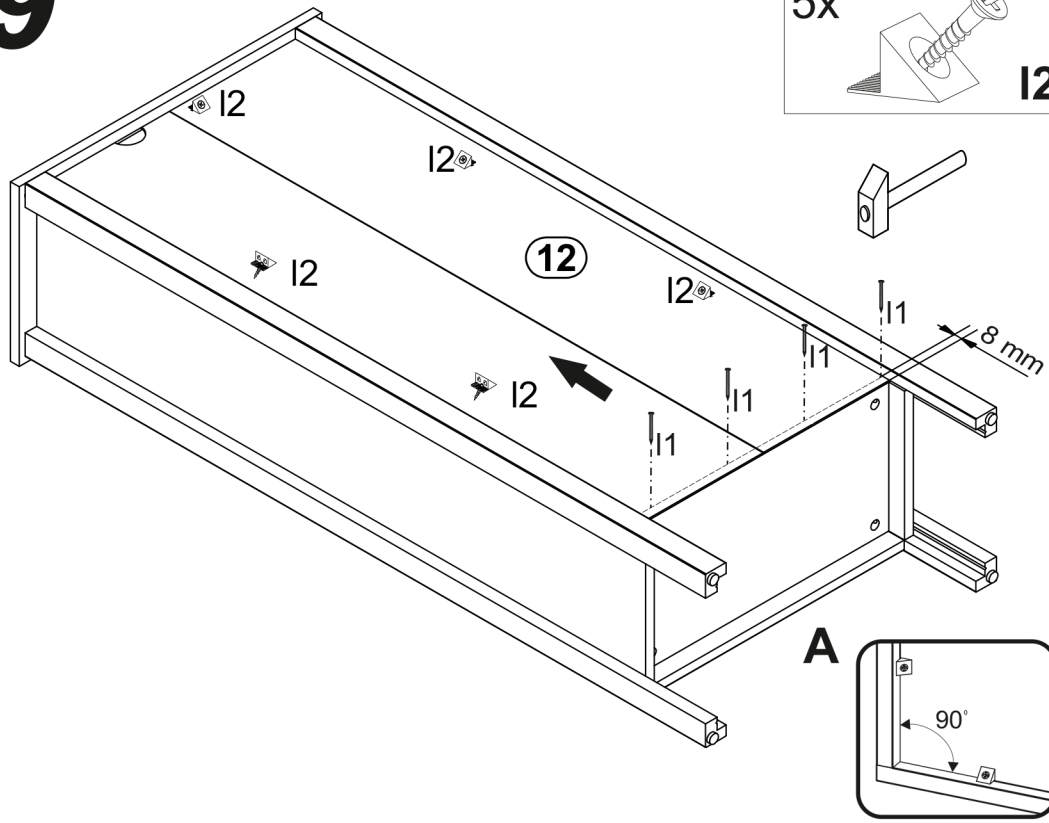
y1



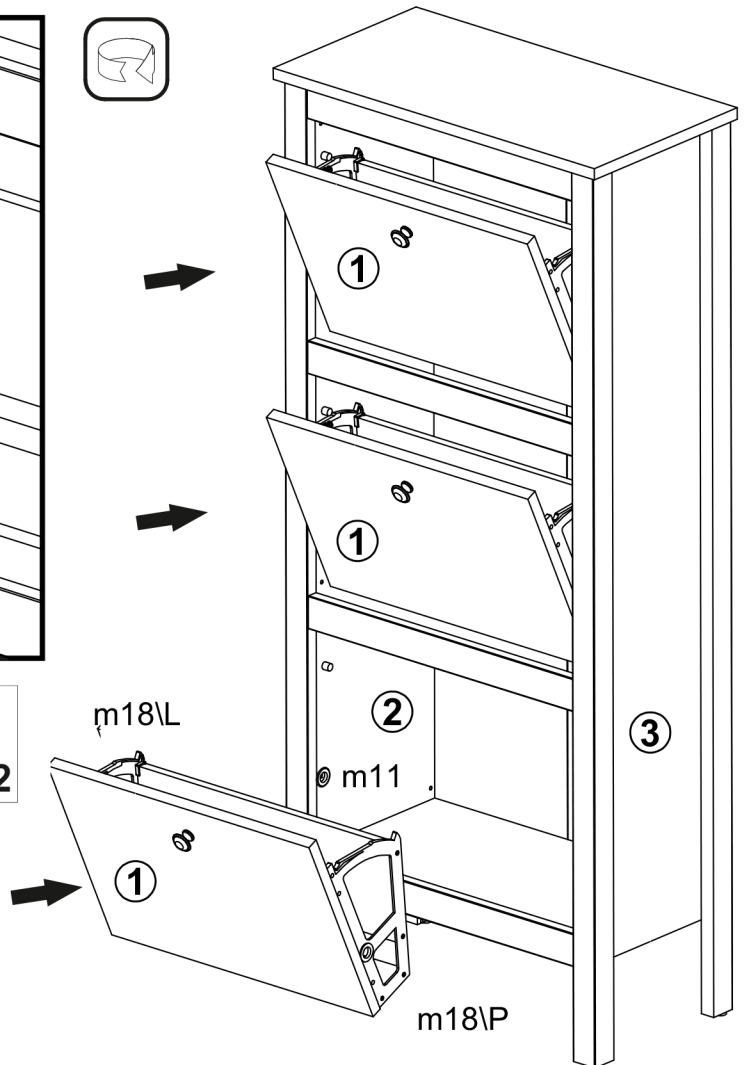
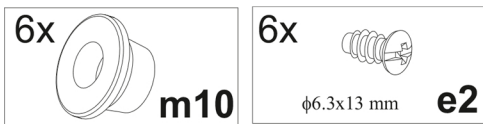
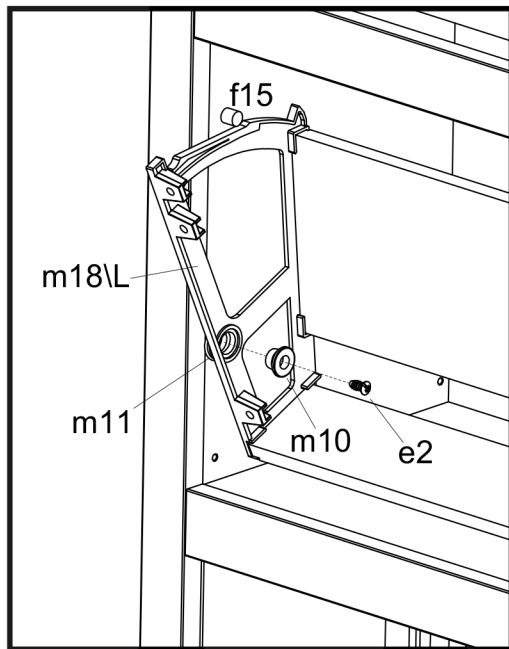
8



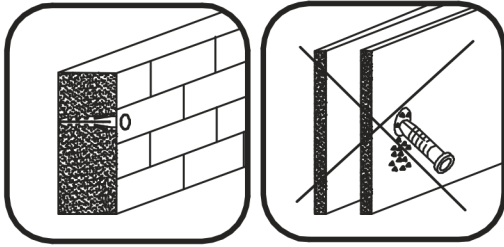
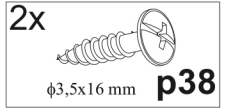
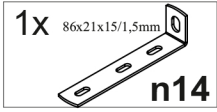
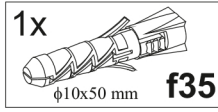
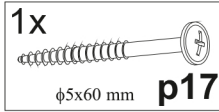
9



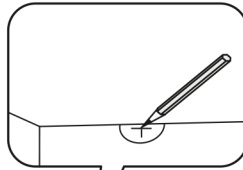
10



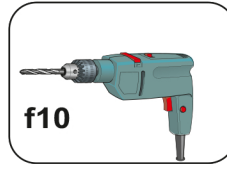
11



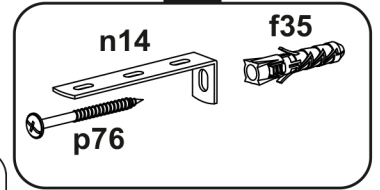
A



B



C



D

