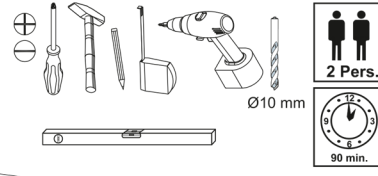
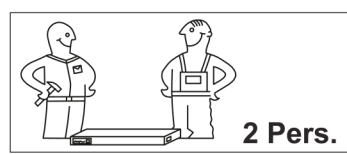
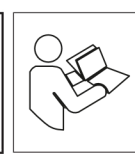
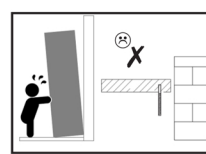
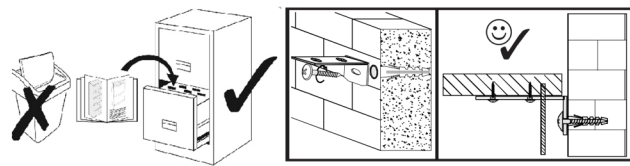
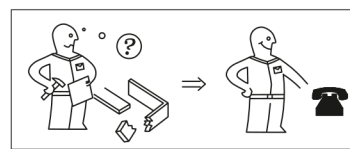
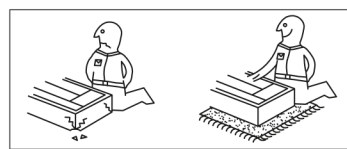
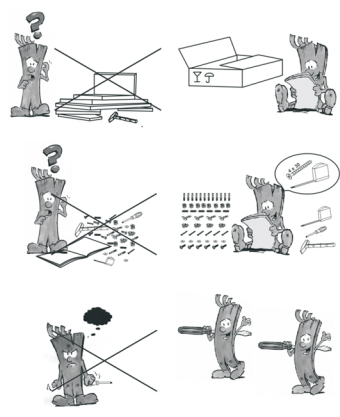
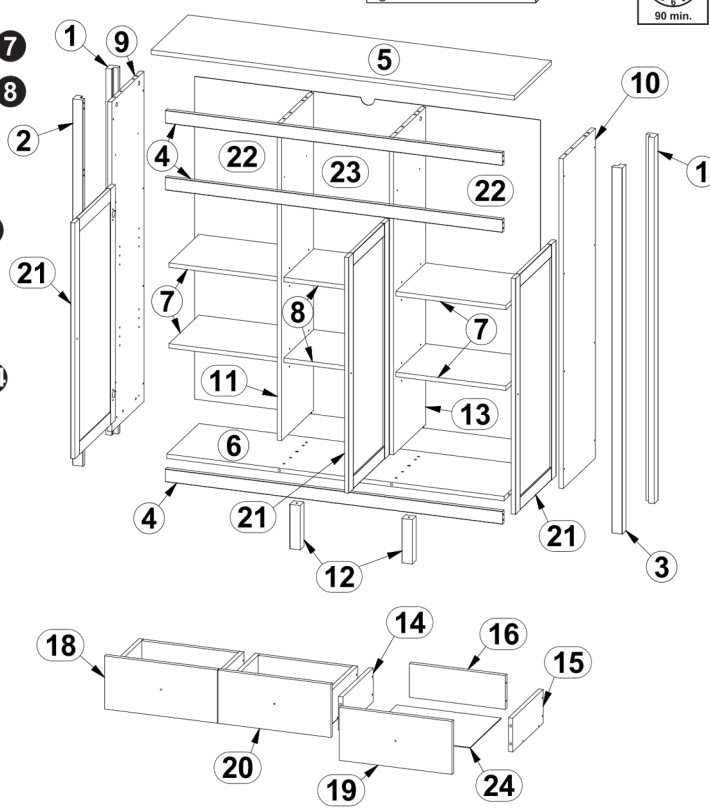


# OLJE 3D3S



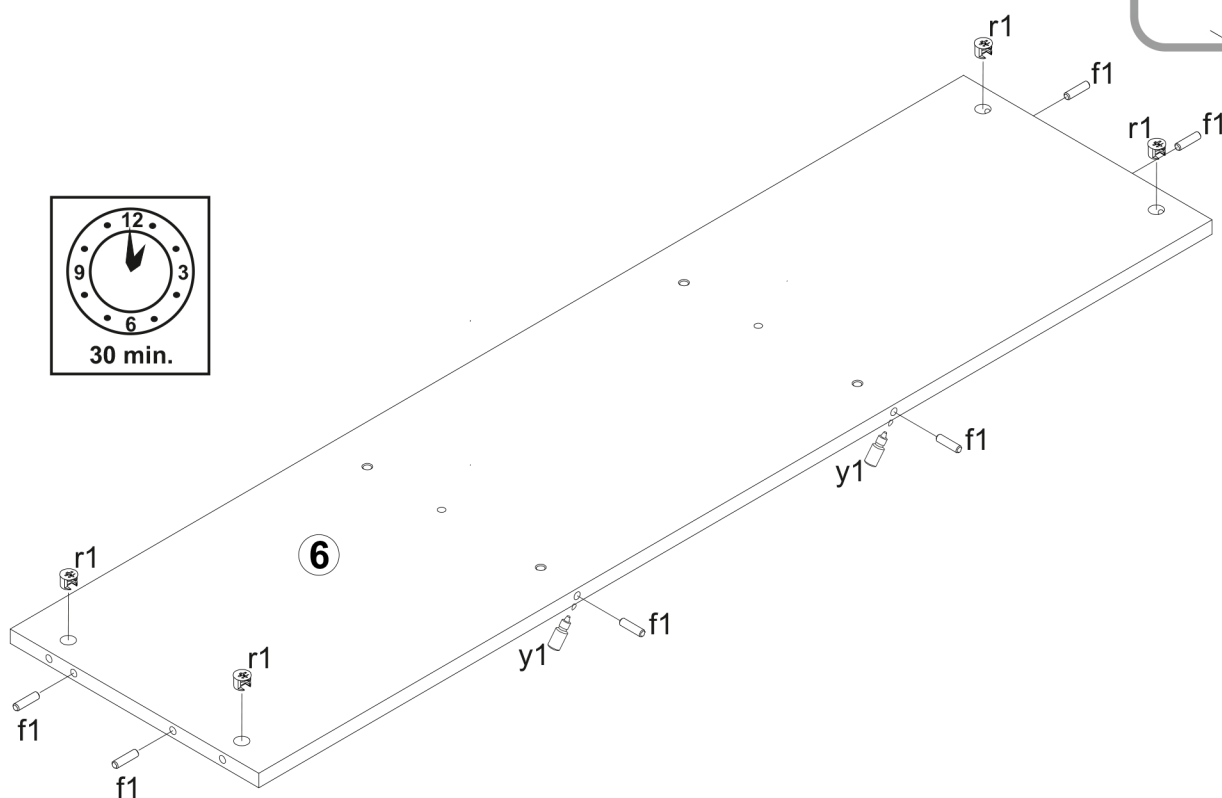
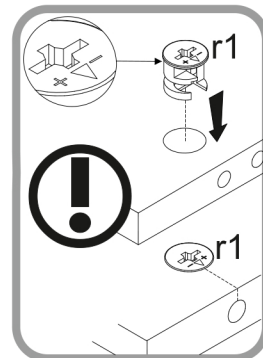
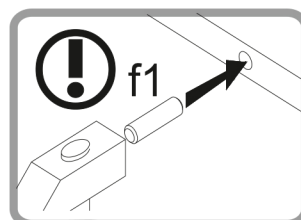
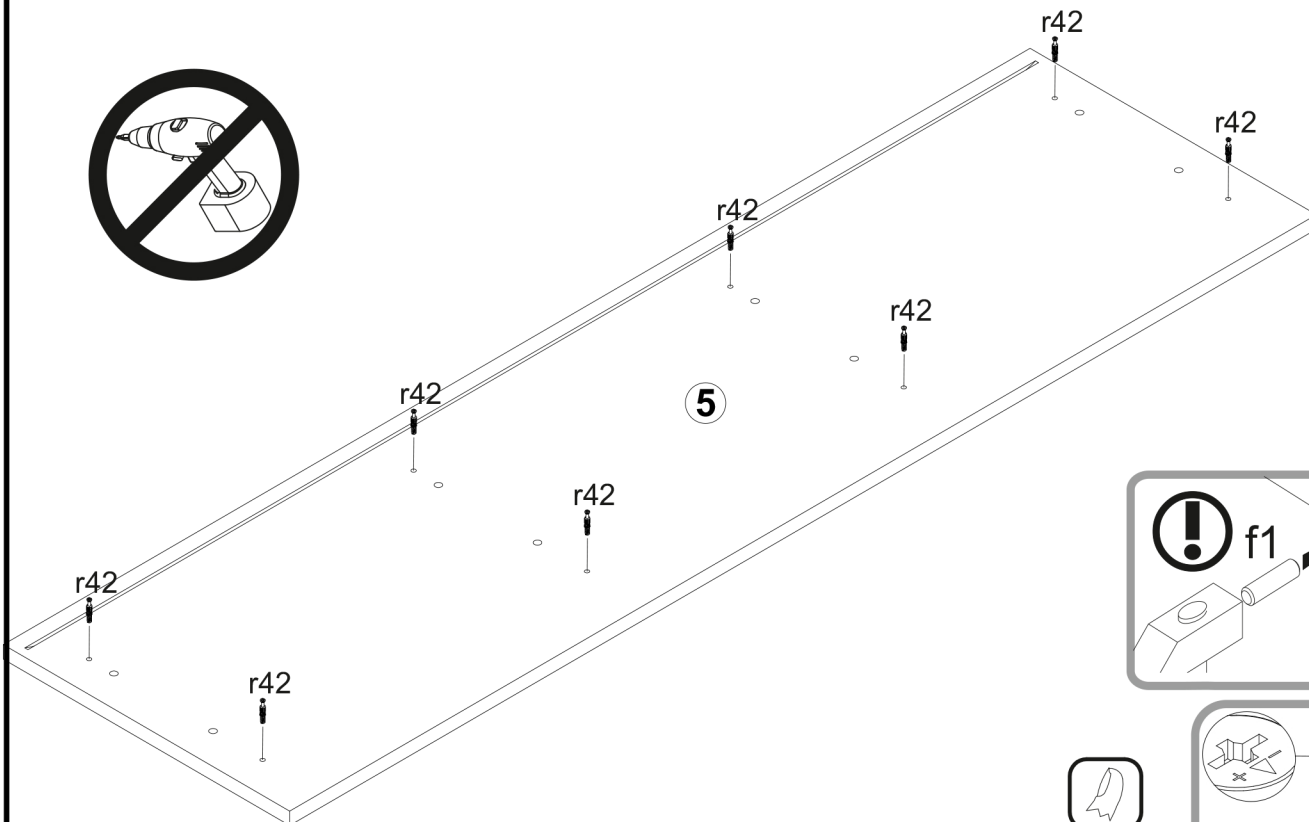
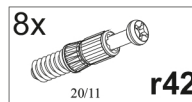
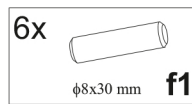
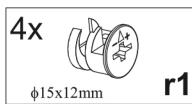
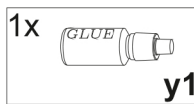
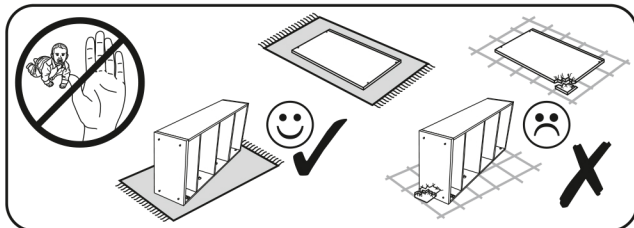
max. 5KG  
max. 10KG  
max. 3KG



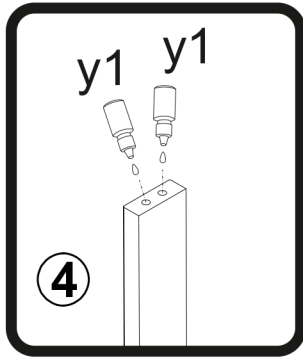
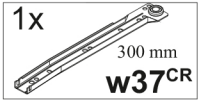
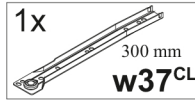
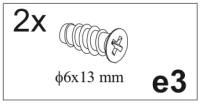
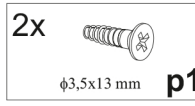
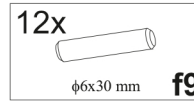
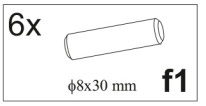
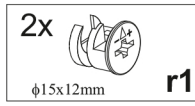
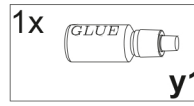
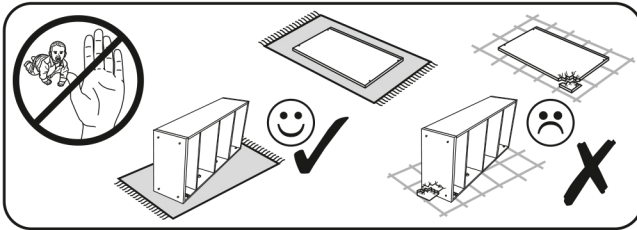
4x	6x	2x	6x	24x
a1	b1	a54	c415	φ5x17 mm d1
6x	8x	12x	34x	12x
φ7x50 mm e1	φ6x13 mm e3	φ5x9 mm e19	φ8x30 mm f1	φ6x30 mm f9
1x	6x	6x	21x	11x
φ10x50 mm f35	M4x22 mm j30	k1	l1	l2
1x	8x	1x	4x	12x
86x21x151.5mm n14	20x13x3,51mm n108	z1	φ3,5x13 mm p1	φ4x40 mm p10
1x	2x	8x	16x	12x
φ5x60 mm p17	φ3,5x16 mm p38	φ2,9x16 mm p55	φ3x30 mm p125	φ15x12mm r1
12x	8x	48x	16x	3x
2011 r42	φ16 s2	φ5 s4	s59	300 mm w37CL
3x	3x	3x	1x	
300 mm w37CR	300 mm w37DL	300 mm w37DR	GLUE y1	

A	C		D		E		A	C		D	E
1	1320	38	38	2	1/2	14	300	120	16	3	2 1/2
2	1320	38	38	1	1/2	15	300	120	16	3	2 1/2
3	1320	38	38	1	1/2	16	346	120	16	2	1 1/2
4	1230	46	16	3	2 1/2	17	336	120	16	1	1 1/2
5	1326	370	16	1	1/2	18	406	189	16	1	1 1/2
6	1231	321	16	1	1/2	19	406	189	16	1	1 1/2
7	402	301	16	4	2 1/2	20	406	189	16	1	1 1/2
8	392	301	16	2	2 1/2	21	850	406	16	3	1 1/2
9	1189	321	16	1	2 1/2	22	1163	425	2,5	2	1 1/2
10	1189	321	16	1	2 1/2	23	1163	409	2,5	1	1 1/2
11	1144	321	16	1	2 1/2	24	306	376	2,5	2	2 1/2
12	160	38	38	2	1 1/2	25	306	366	2,5	1	2 1/2
13	1144	321	16	1	2 1/2	-	Accessories			1	1 1/2

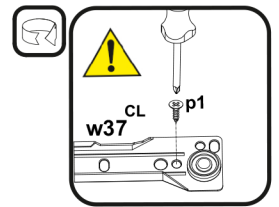
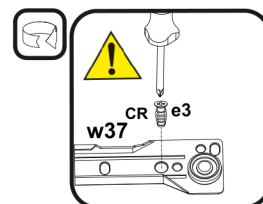
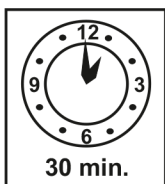
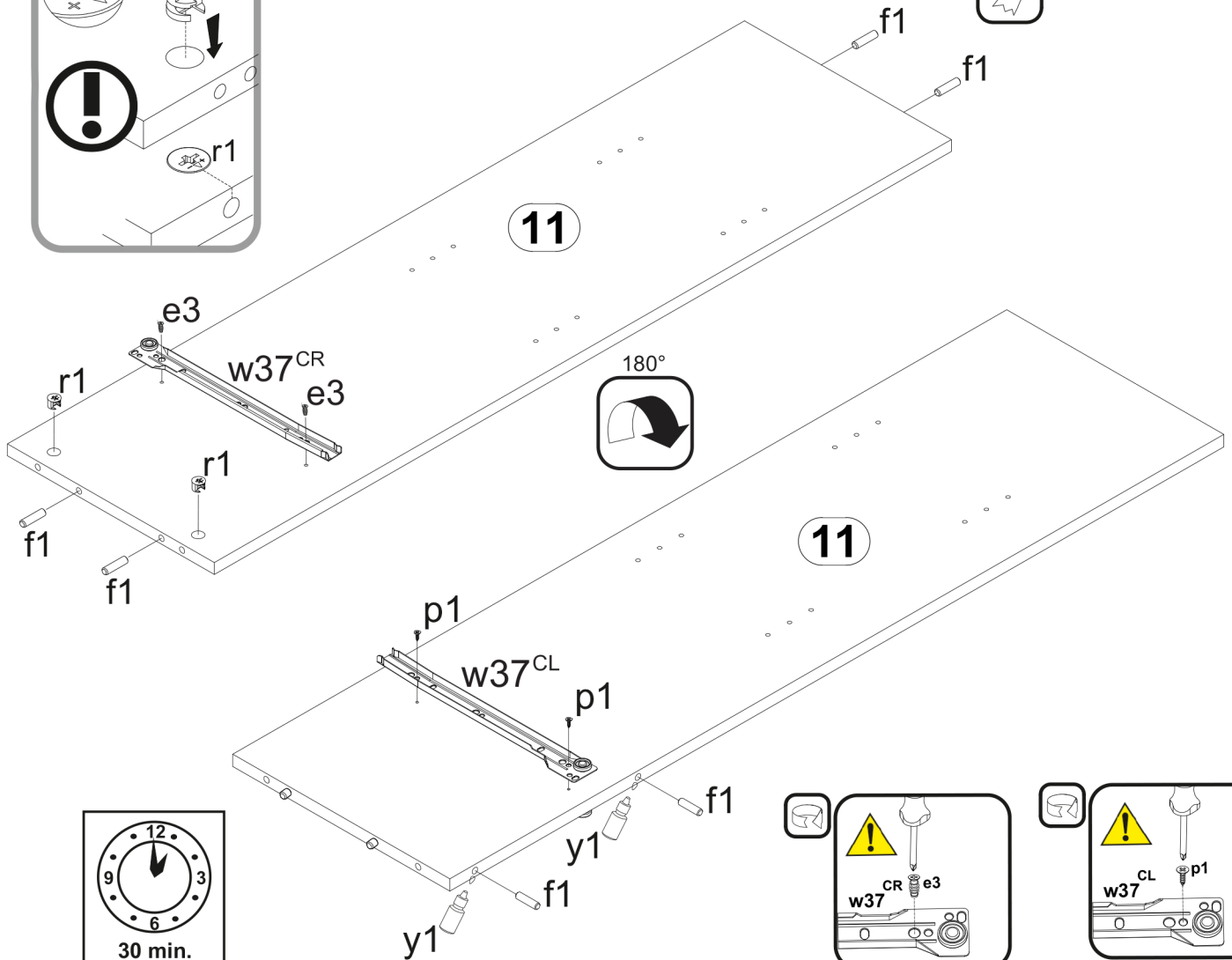
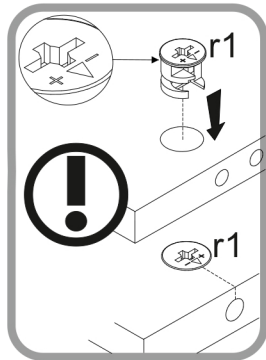
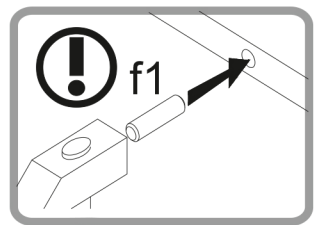
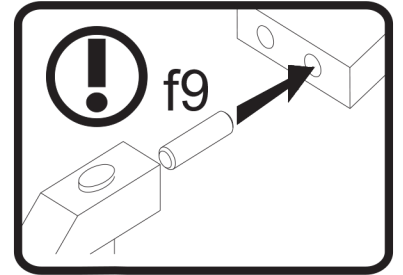
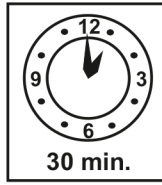
# 1



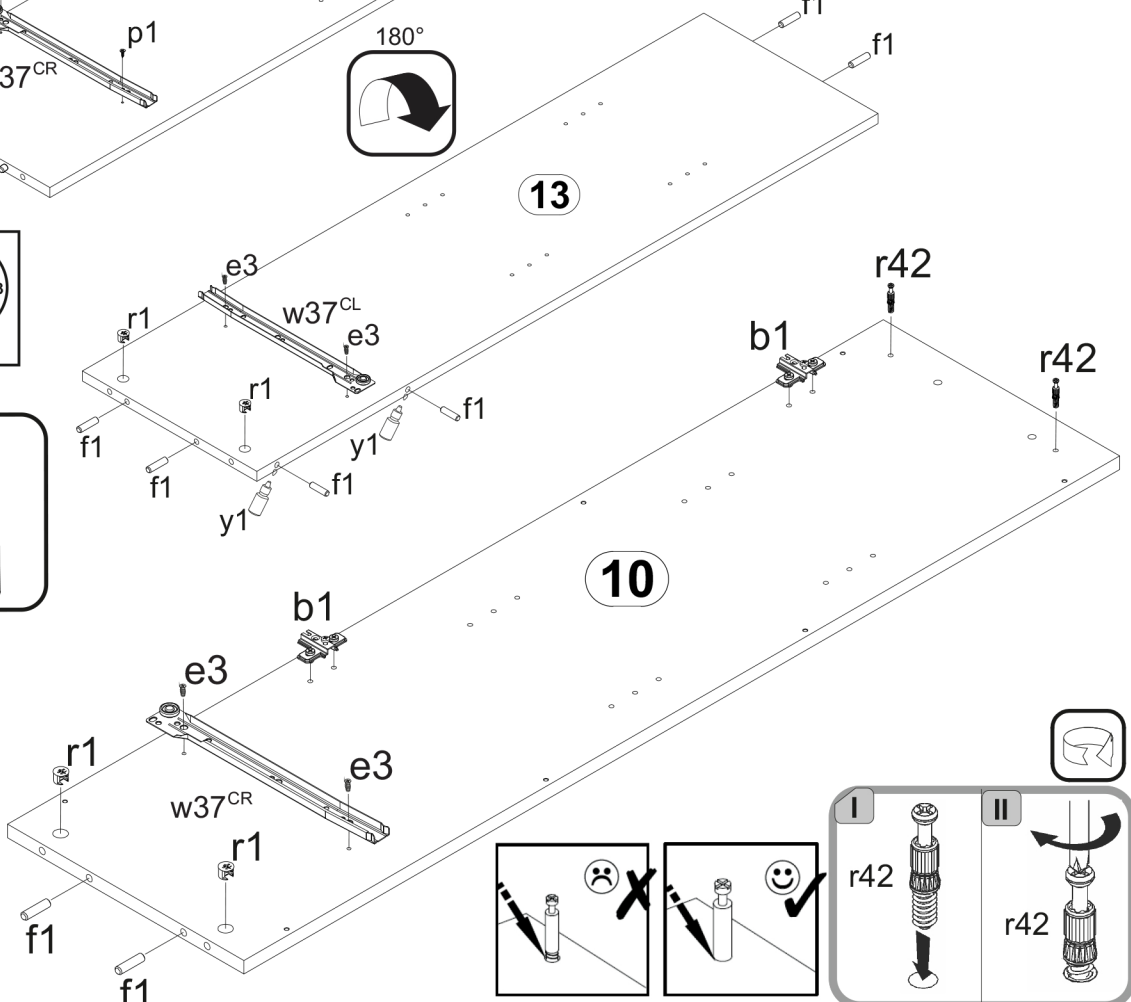
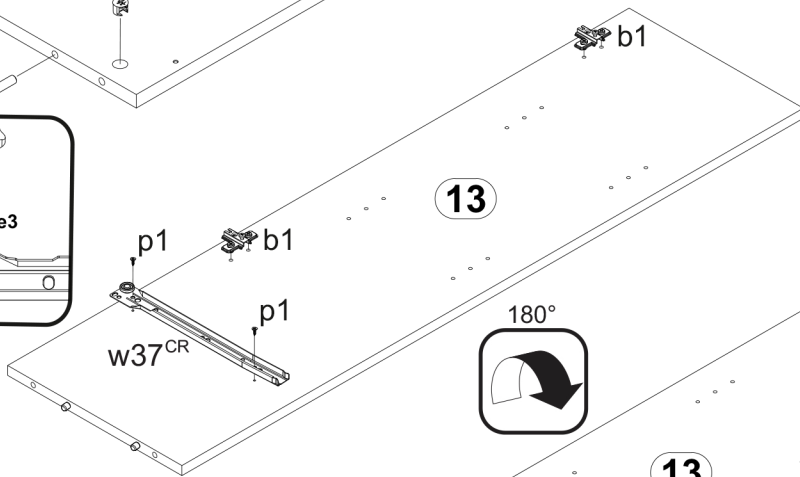
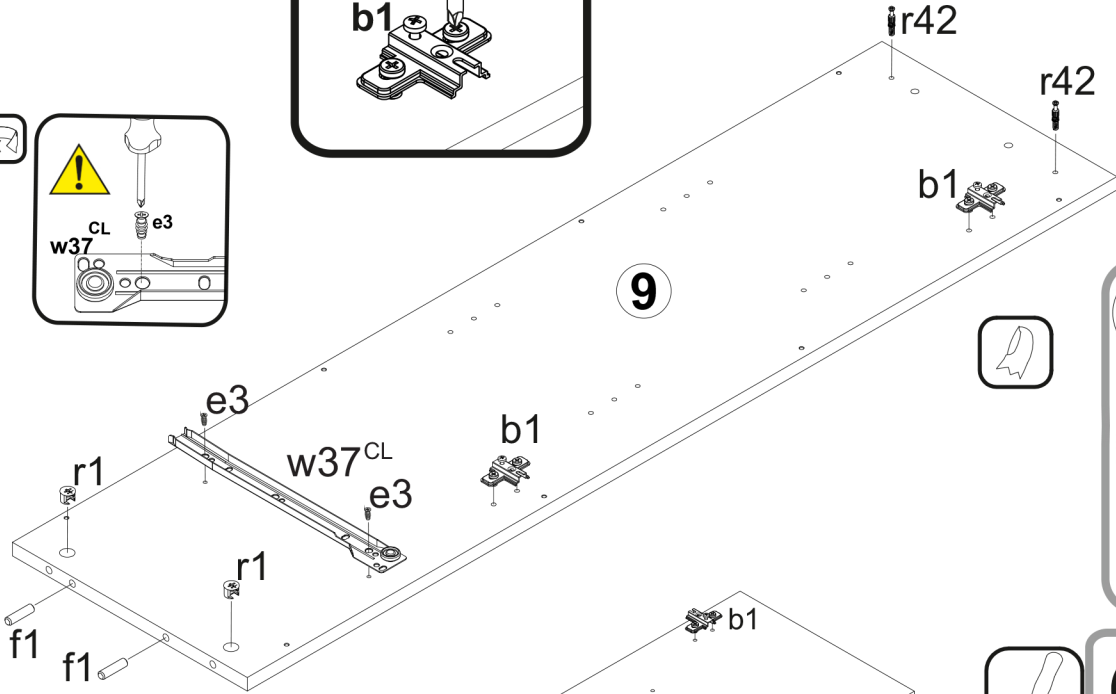
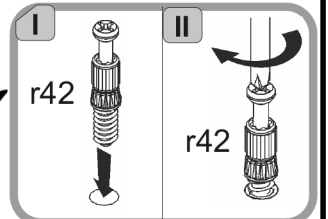
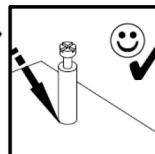
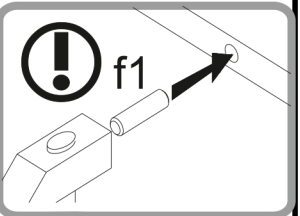
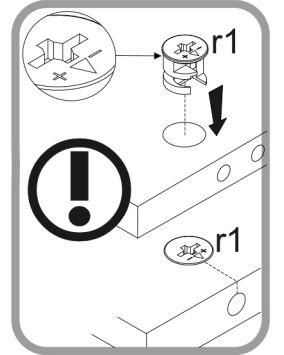
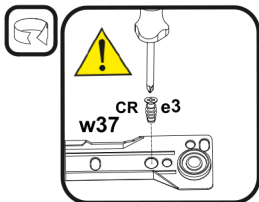
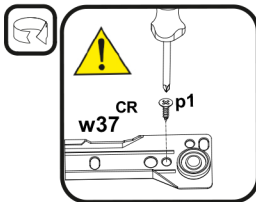
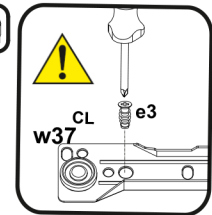
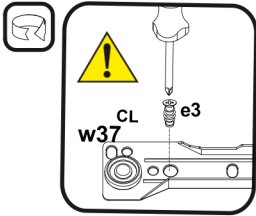
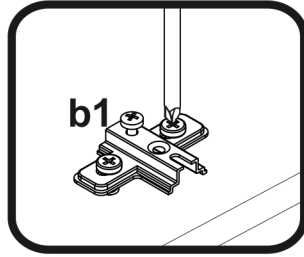
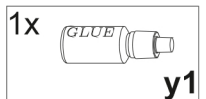
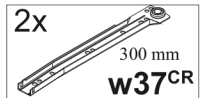
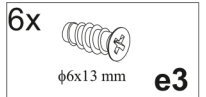
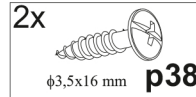
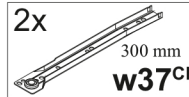
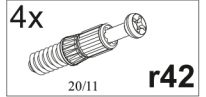
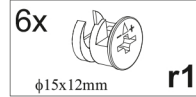
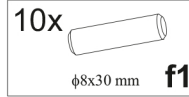
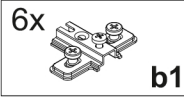
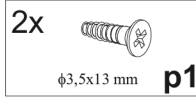
# 2



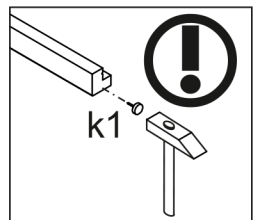
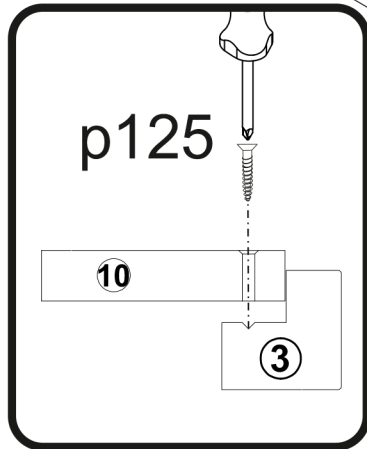
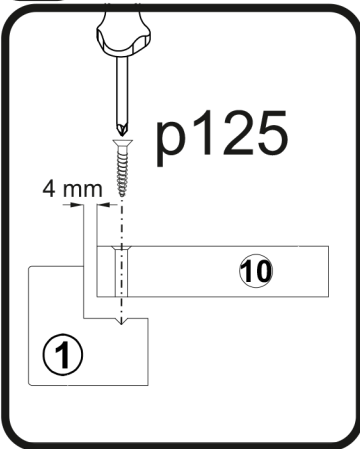
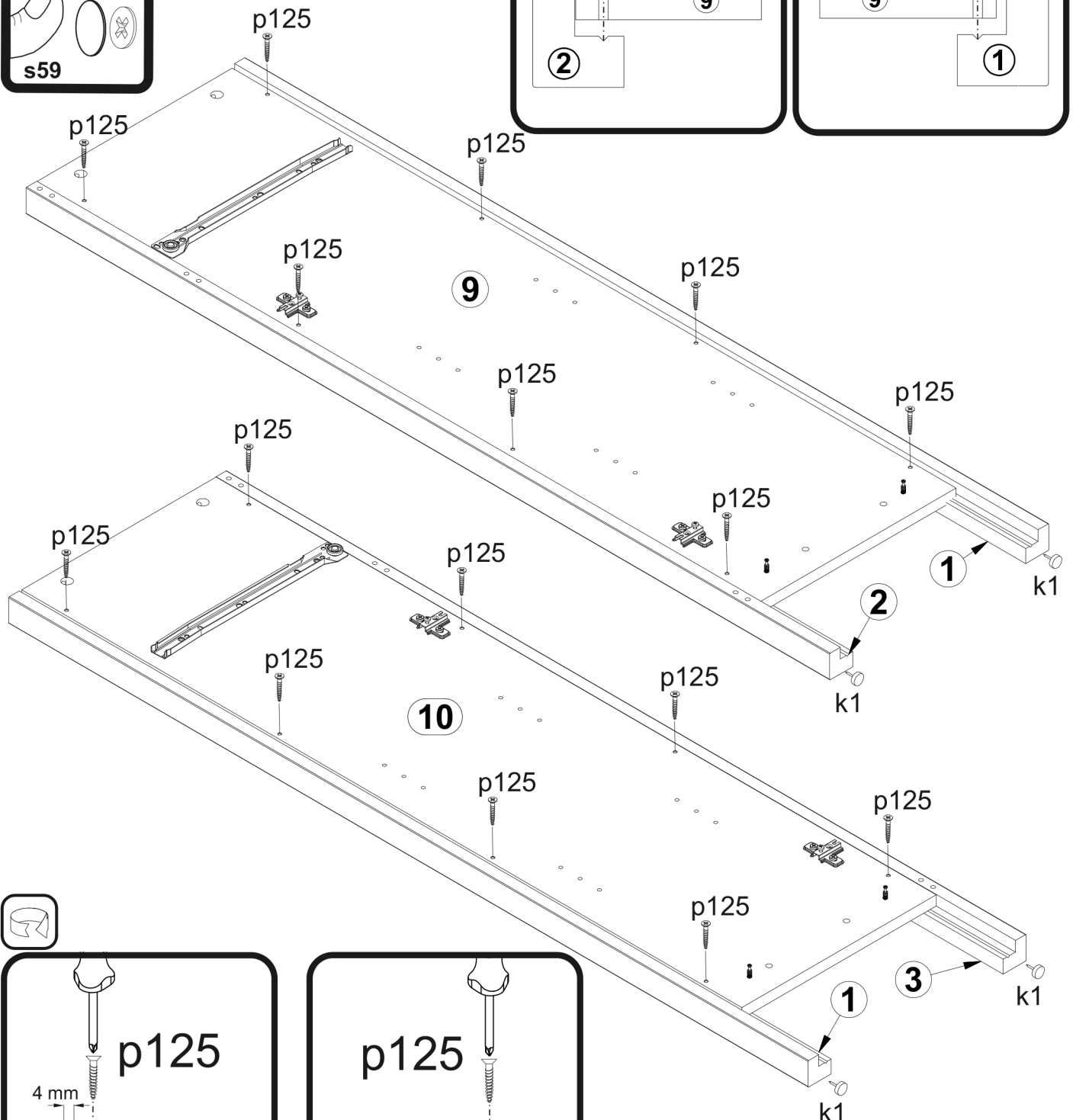
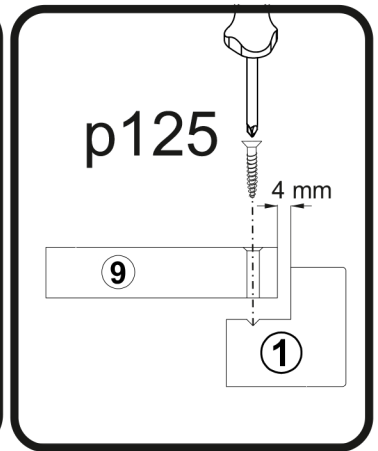
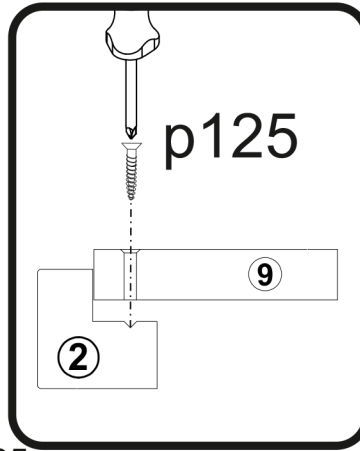
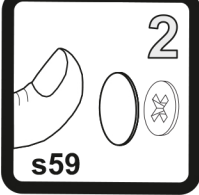
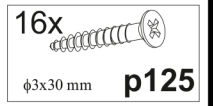
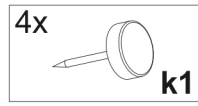
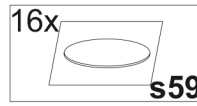
x3



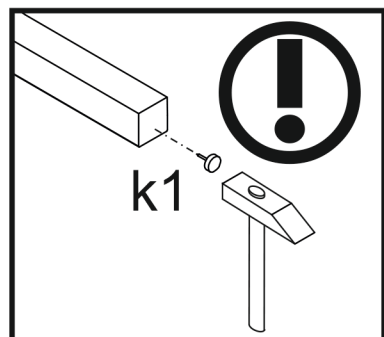
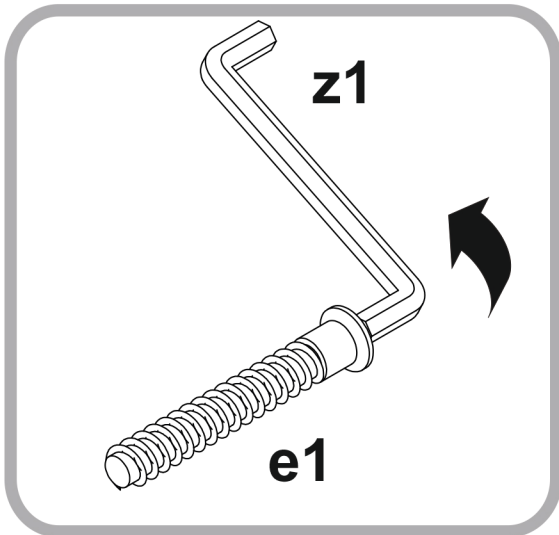
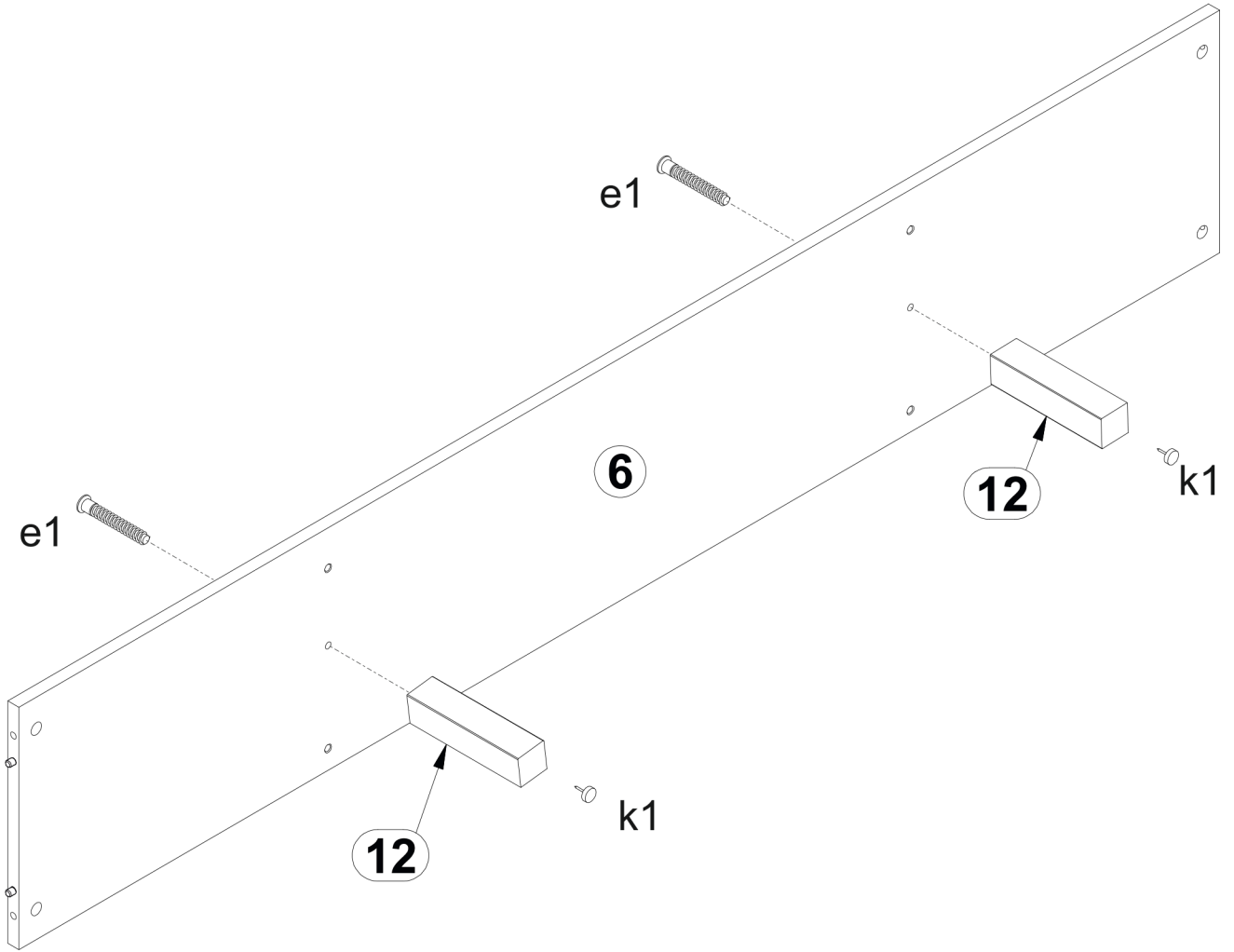
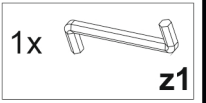
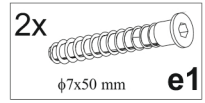
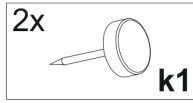
# 3



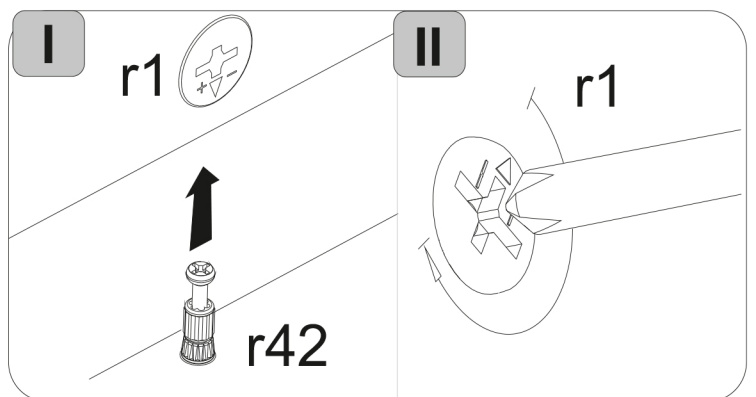
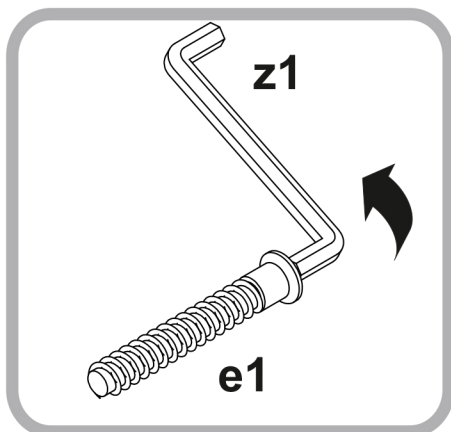
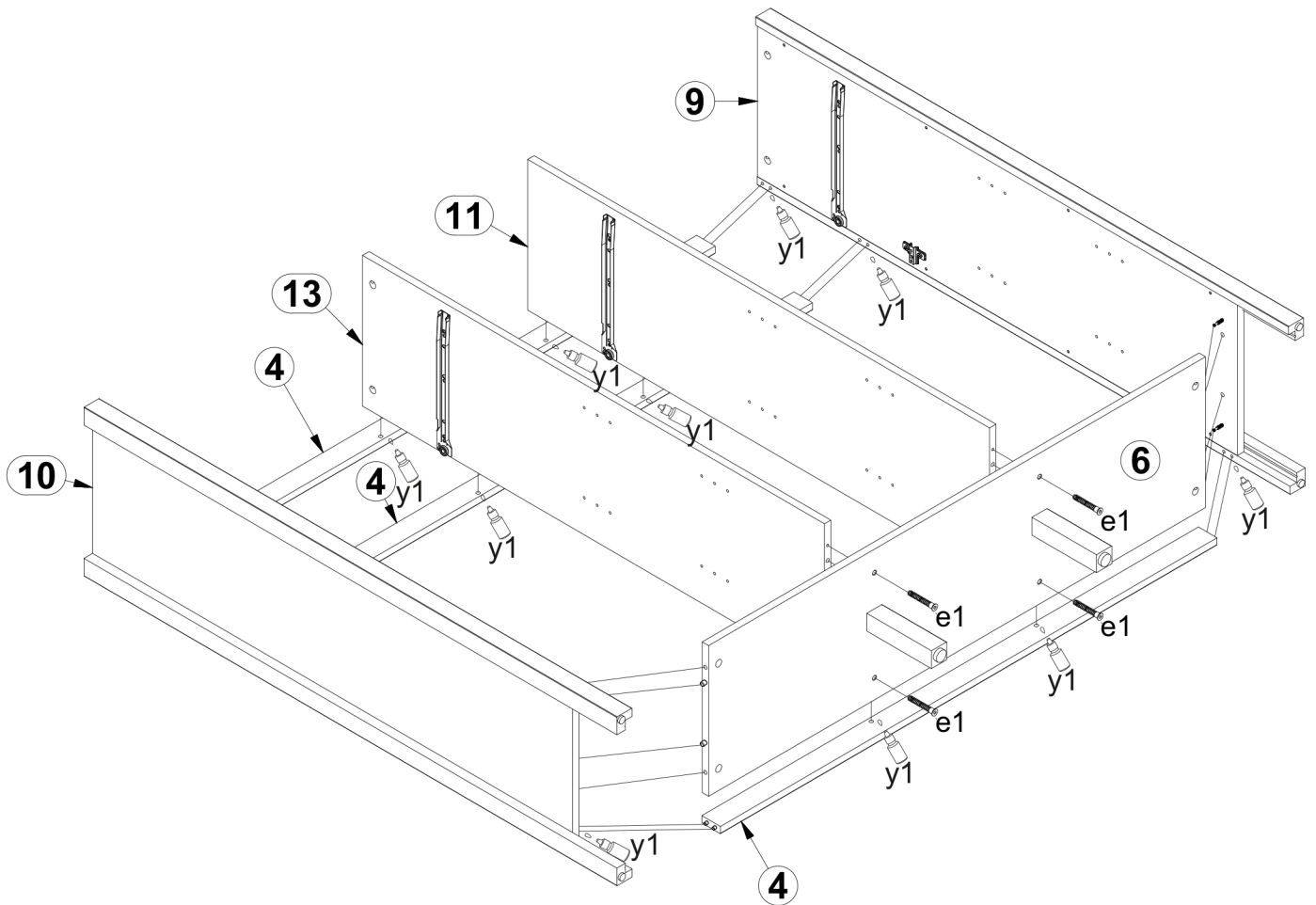
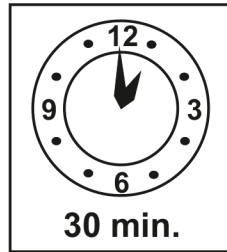
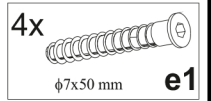
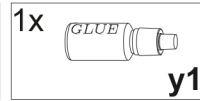
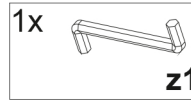
# 4



# 5

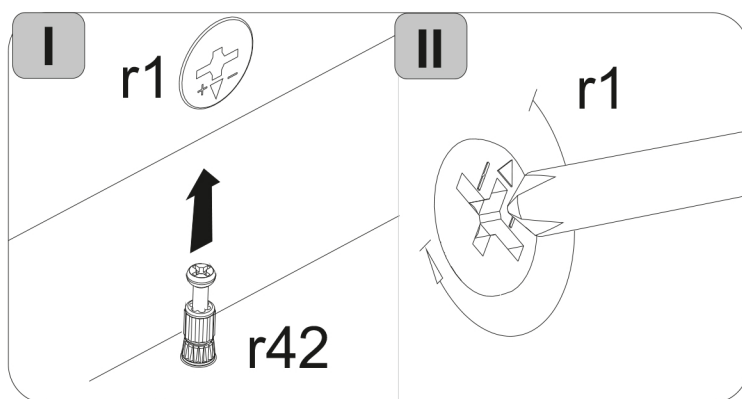
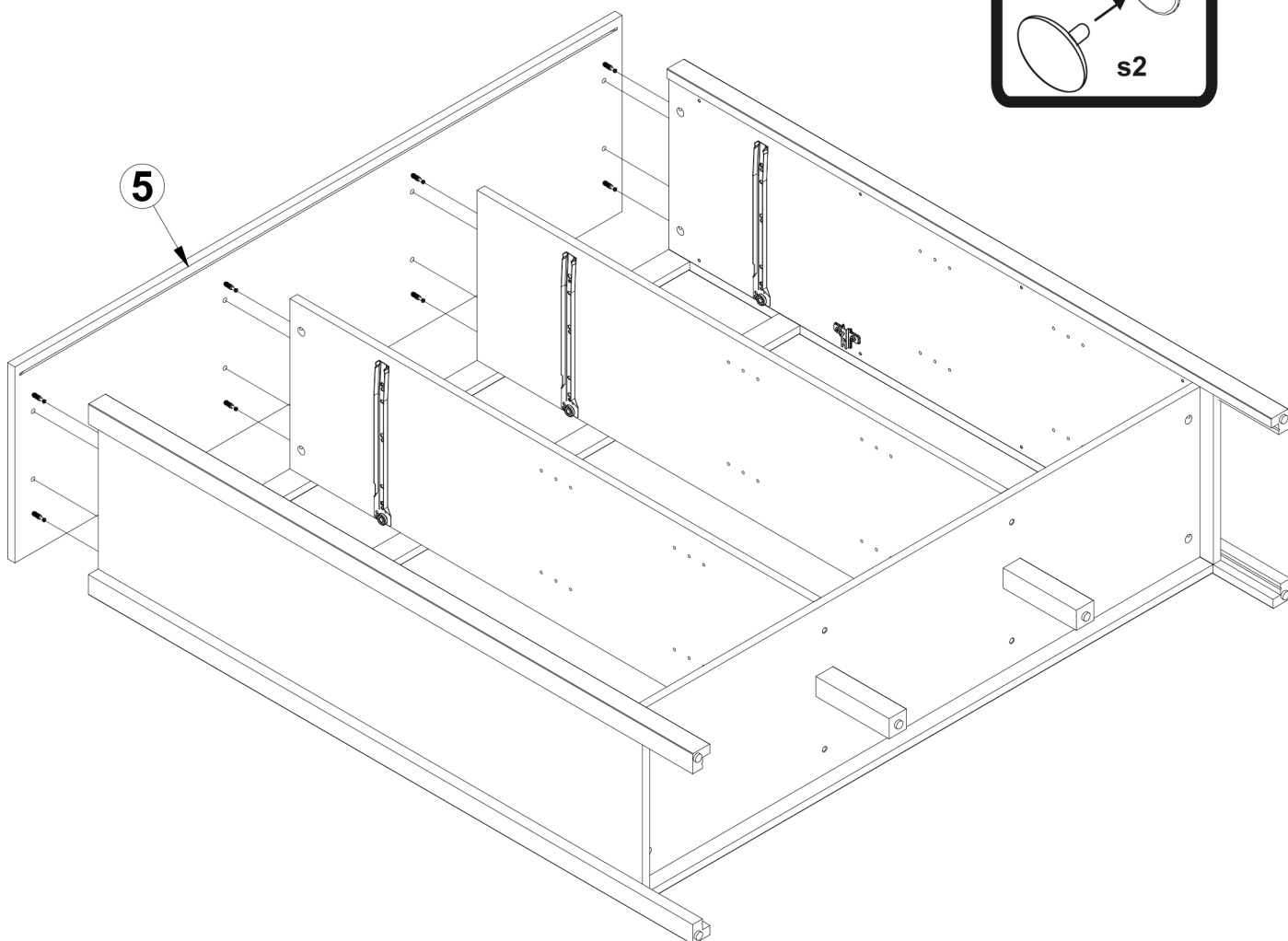
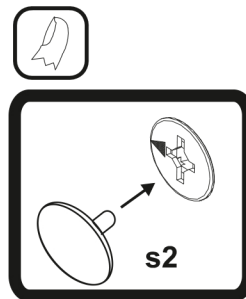


# 6



# 7

8x  
ø16 s2





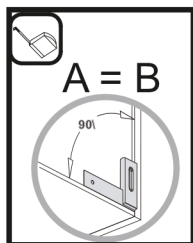
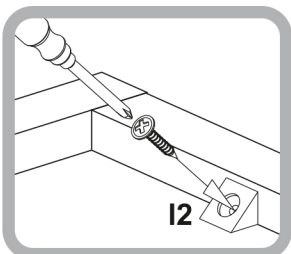
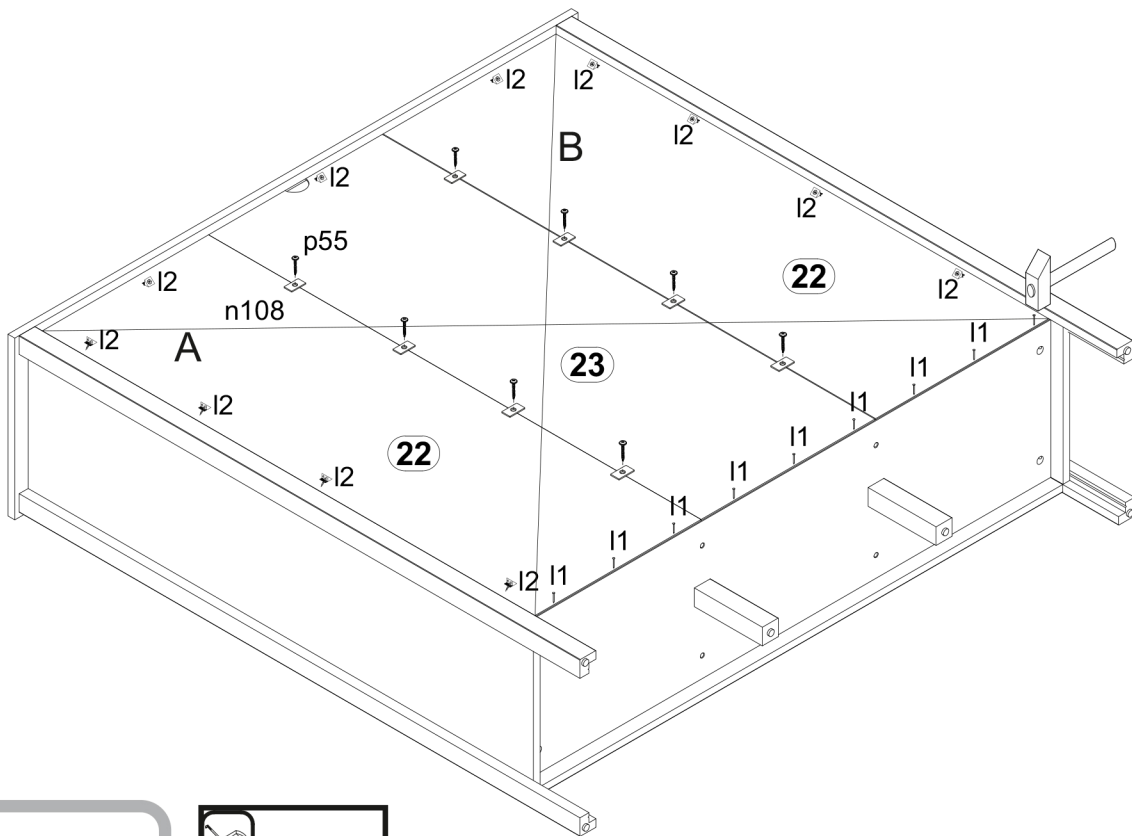
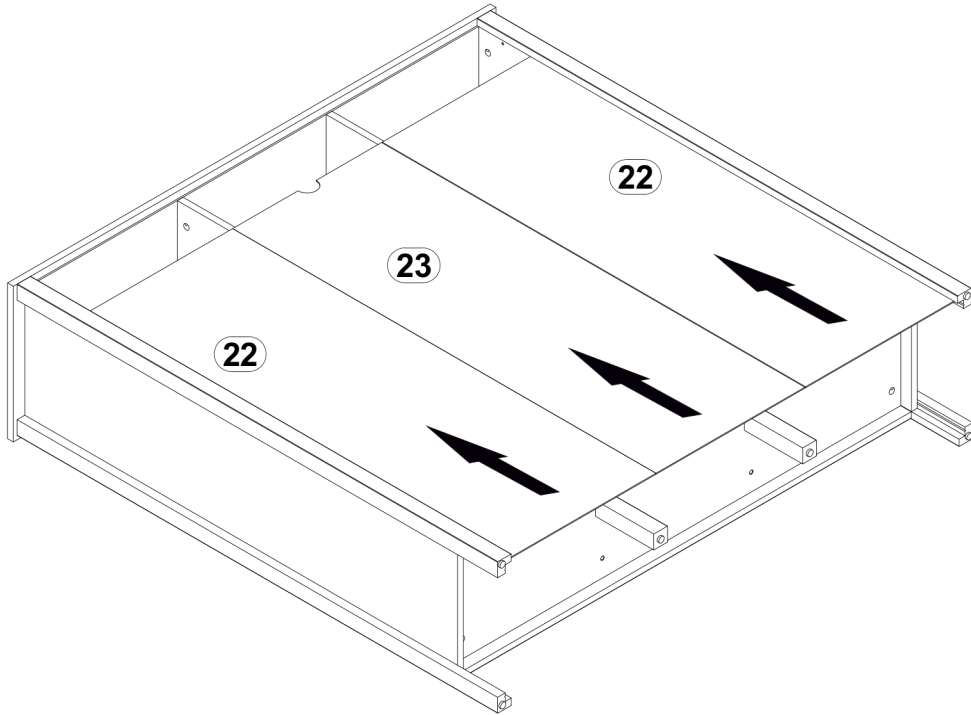
# 8

8x  
φ2,9x16 mm  
p55

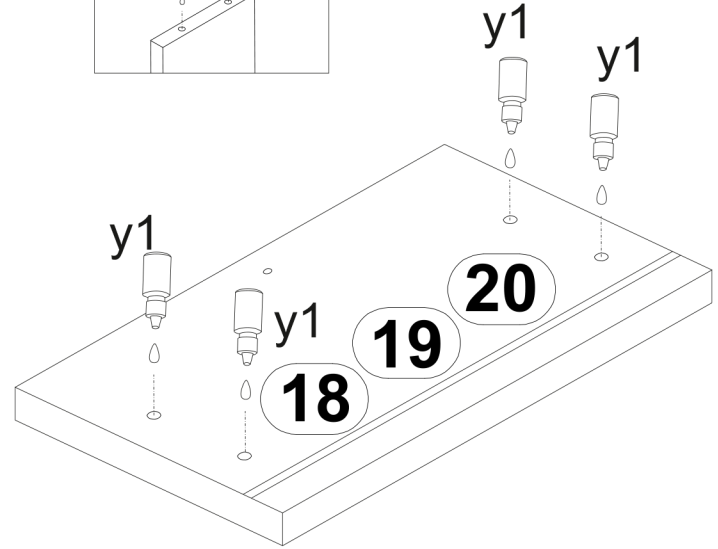
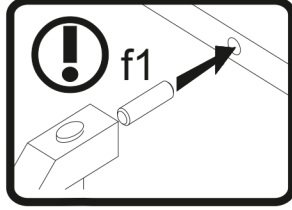
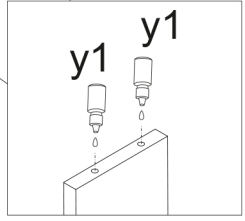
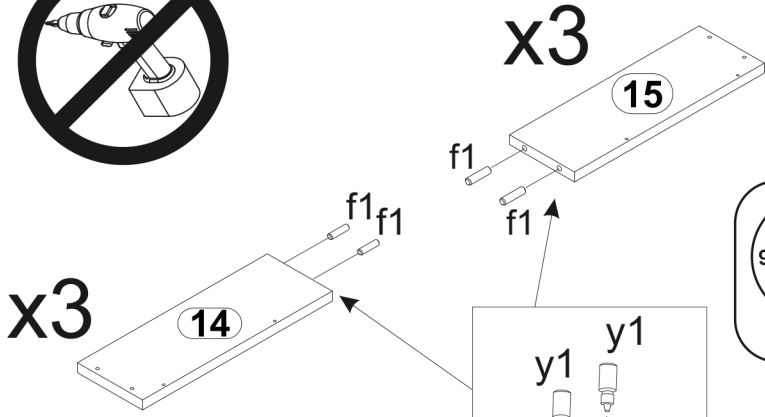
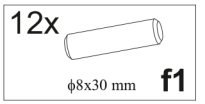
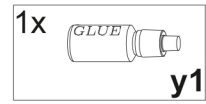
8x  
20x13x3,5\1mm  
n108

11x  
I2

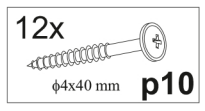
9x  
I1



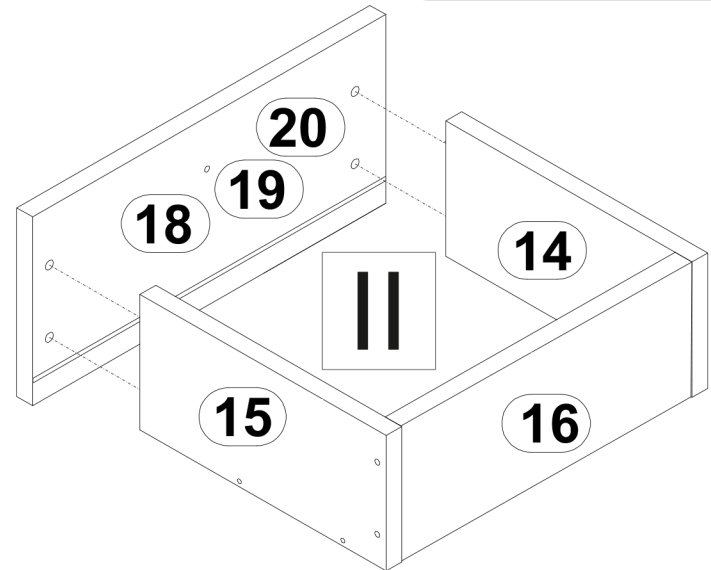
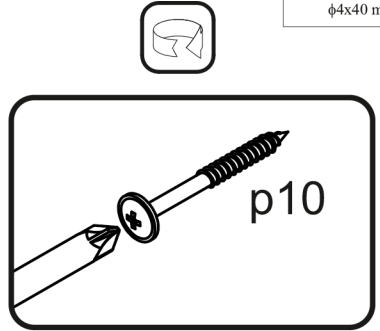
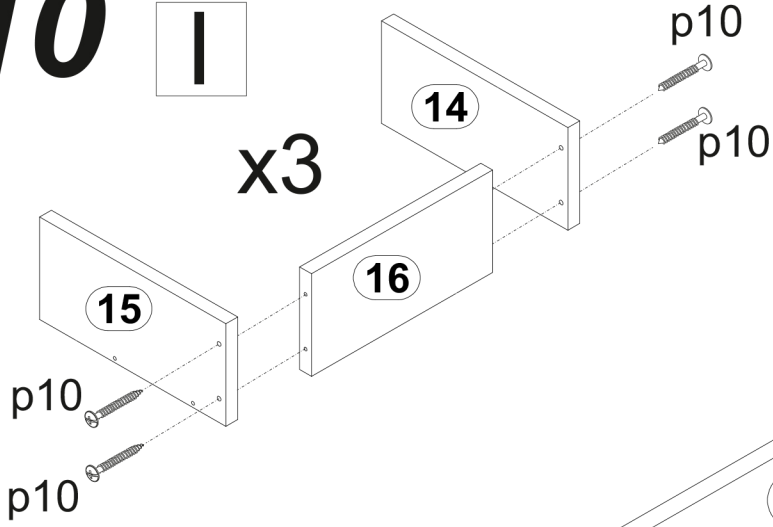
# 9



# 10



x3



# 11



12x  
φ5x9 mm e19

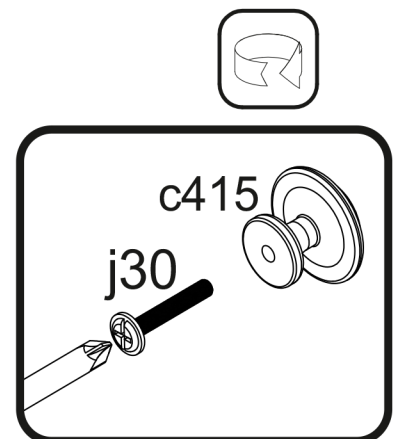
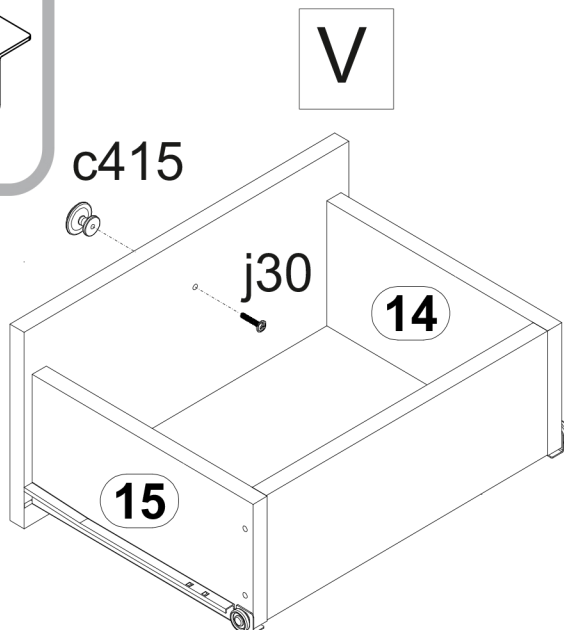
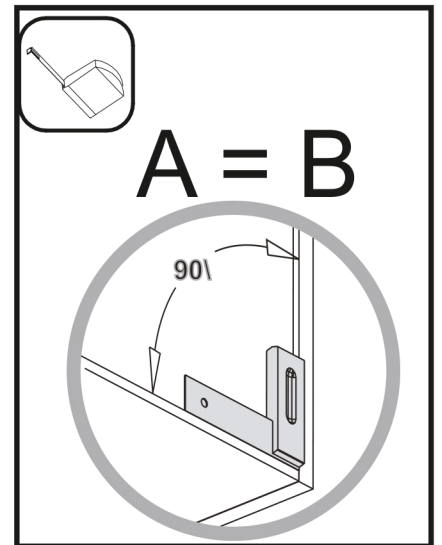
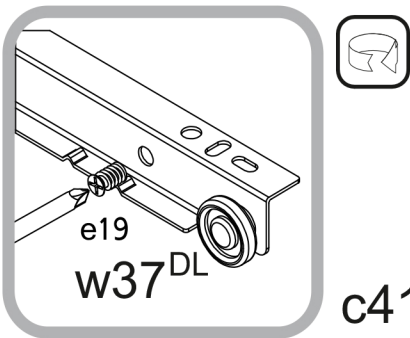
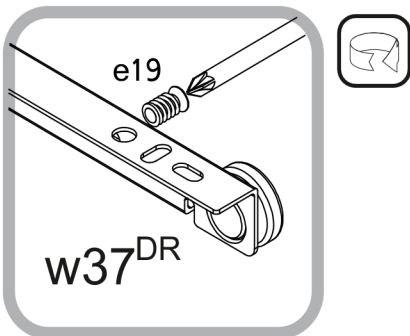
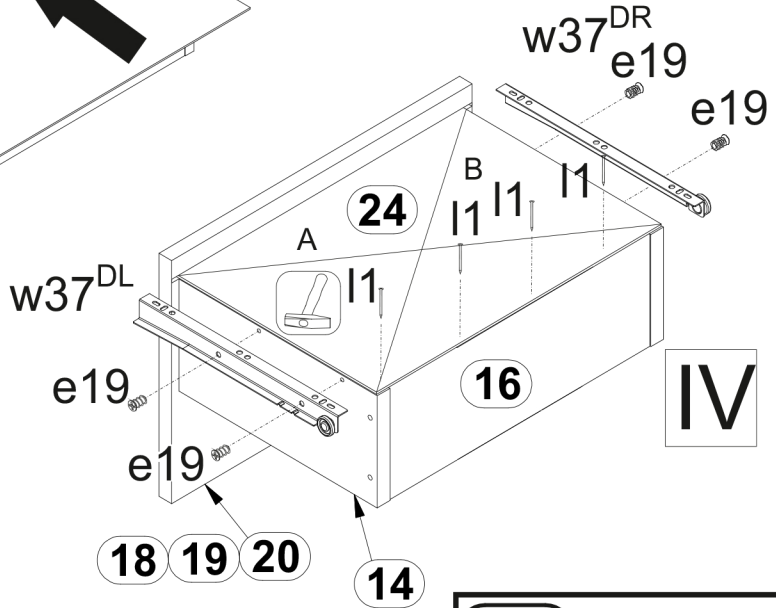
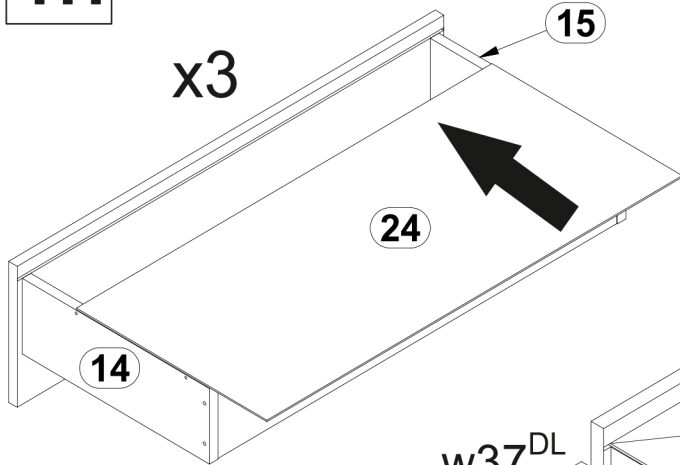
3x  
300 mm  
w37<sup>DR</sup>

3x  
300 mm  
w37<sup>DL</sup>

3x  
M4x22 mm j30

3x  
c415

12x  
l1



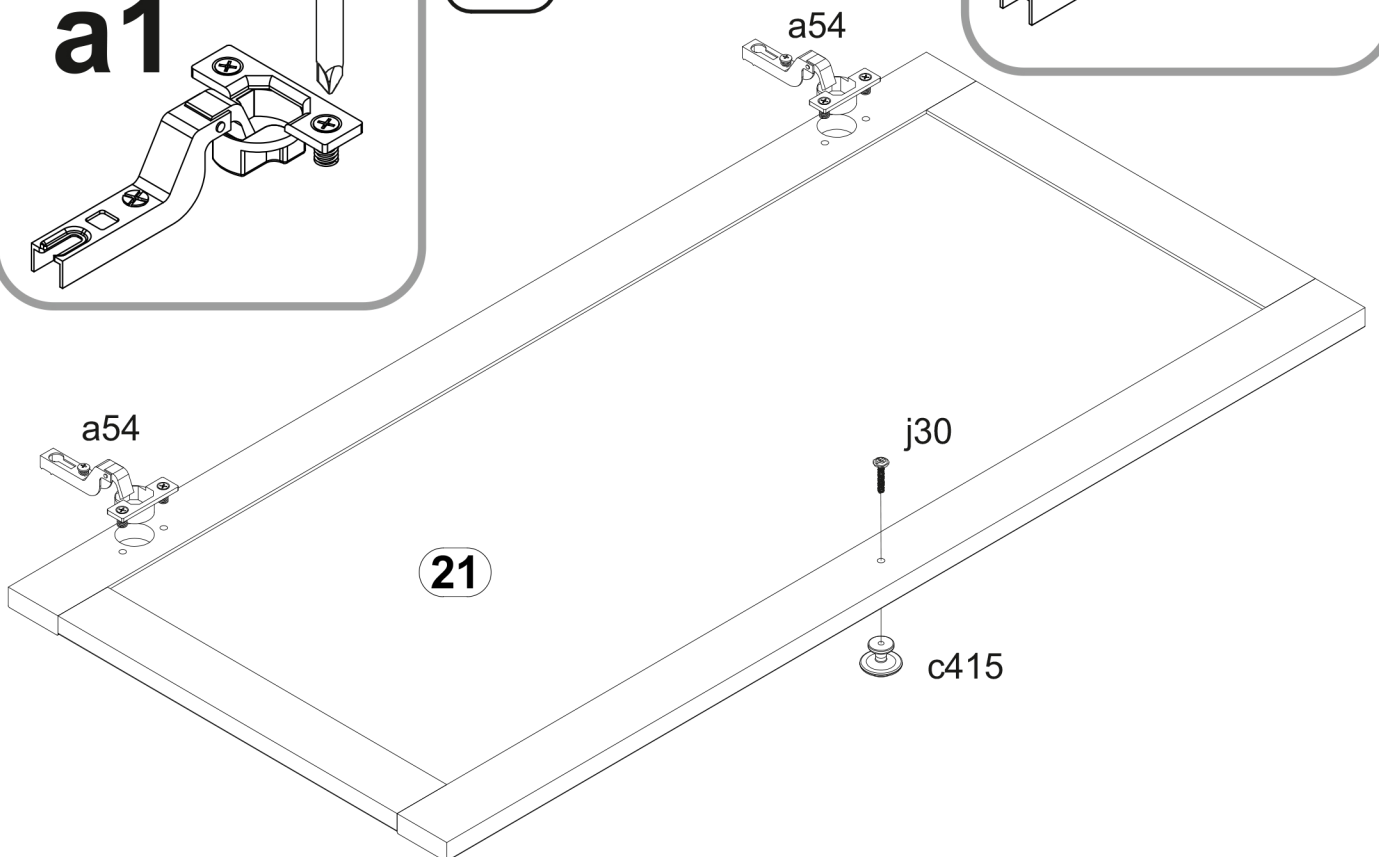
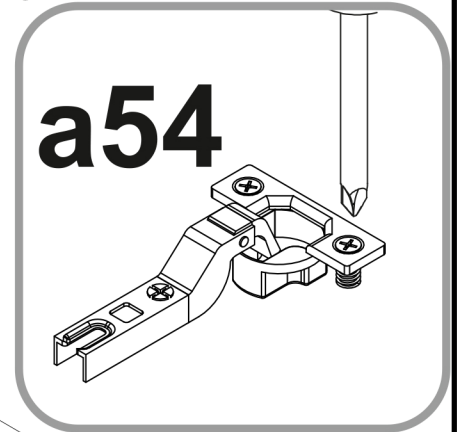
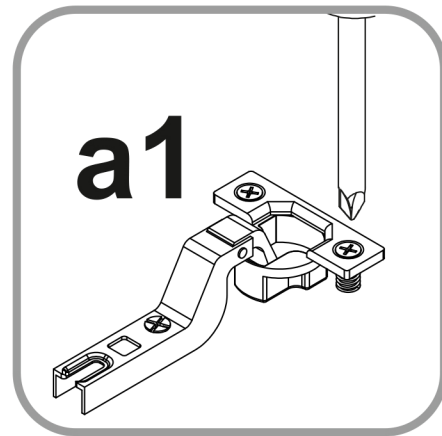
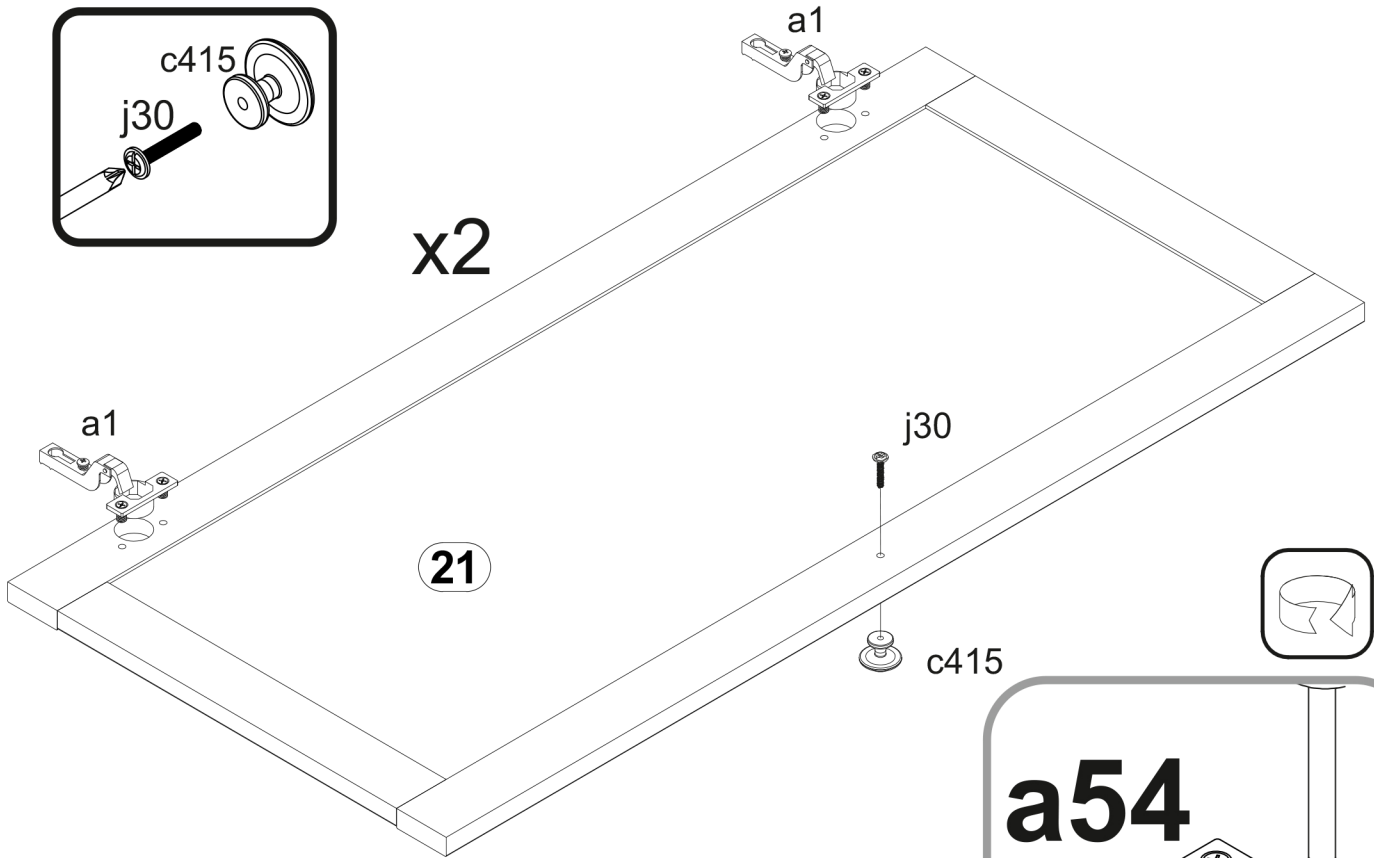
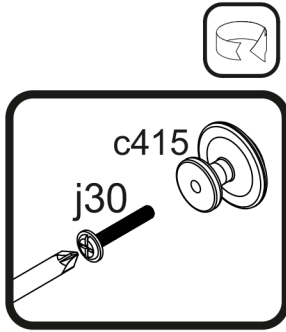
# 12

3x  
M4x22 mm **j30**

3x  
**c415**

2x  
**a54**

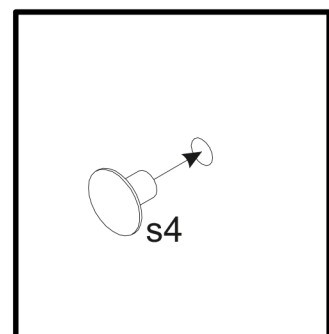
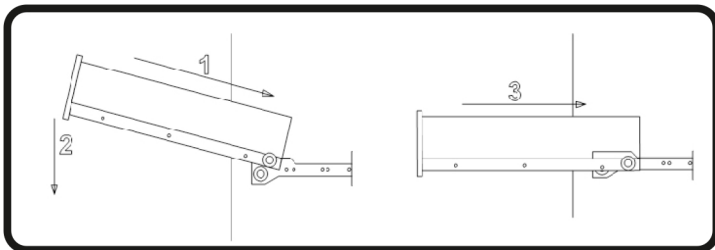
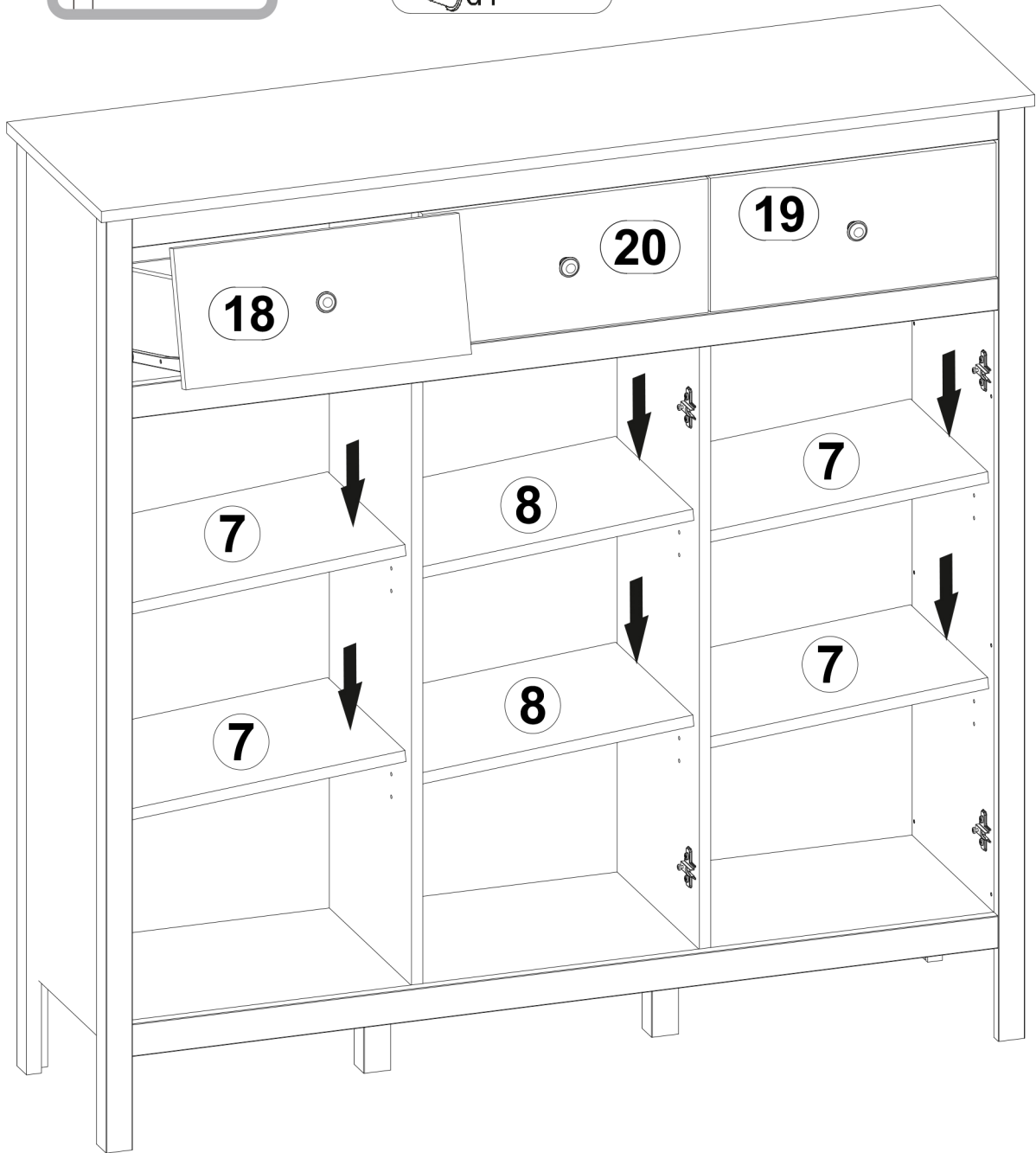
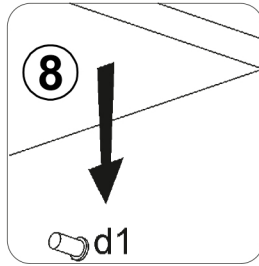
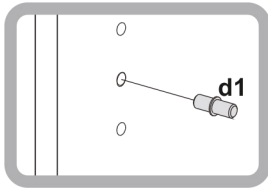
4x  
**a1**

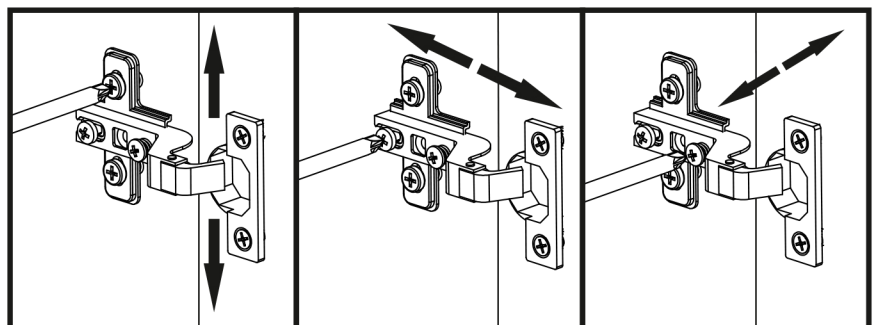
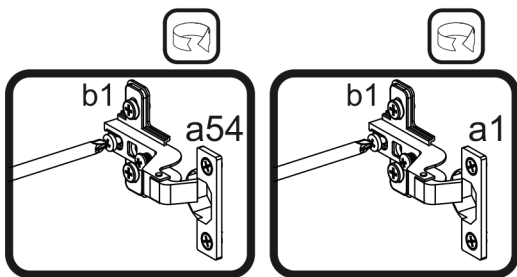
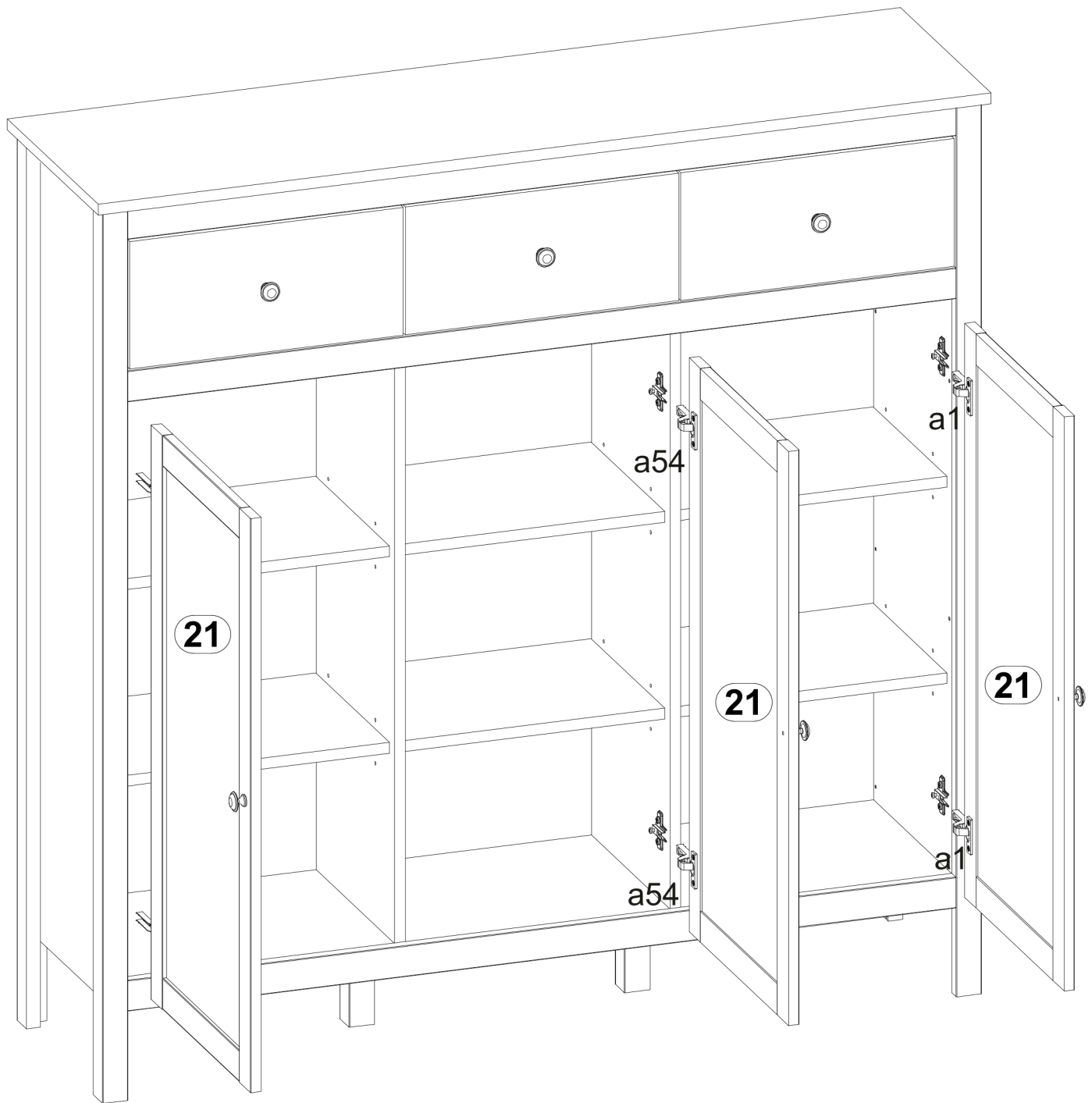


# 13

48x  
ø5 s4

24x  
φ5x17 mm d1





# 15

