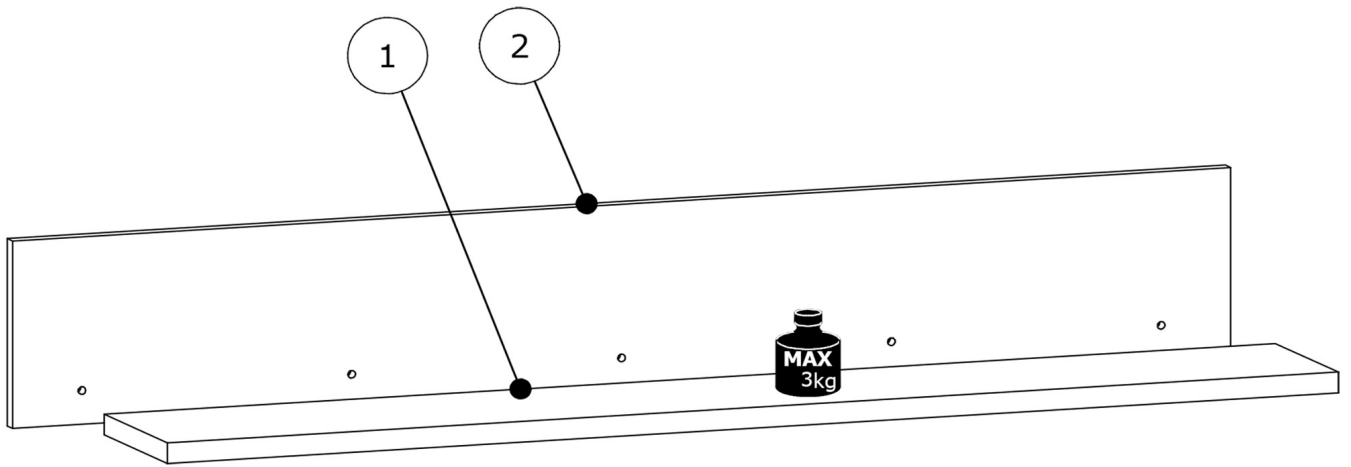
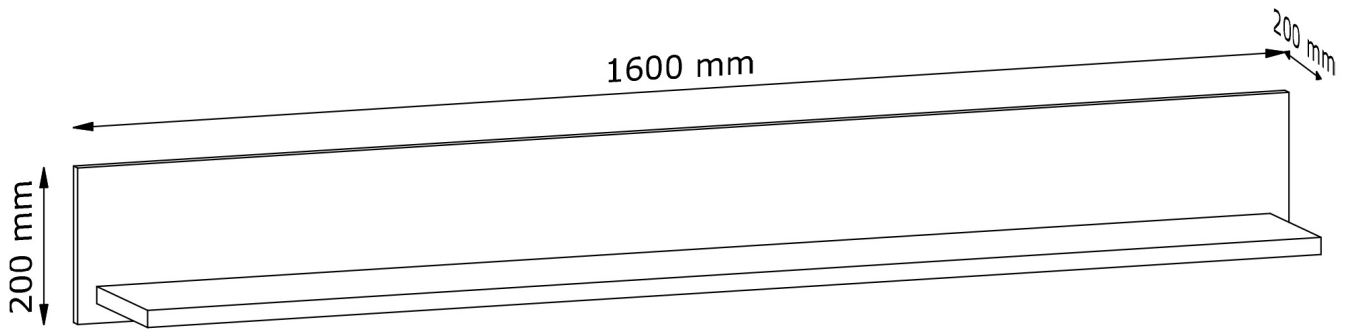
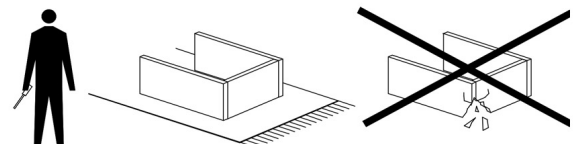
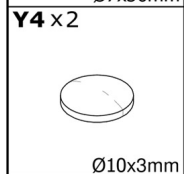
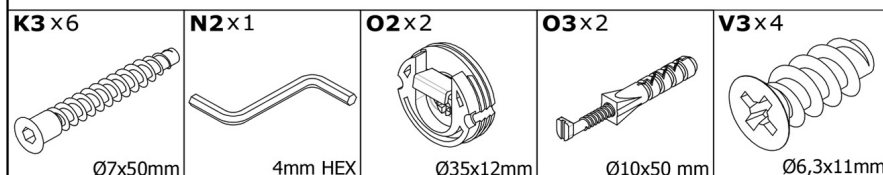
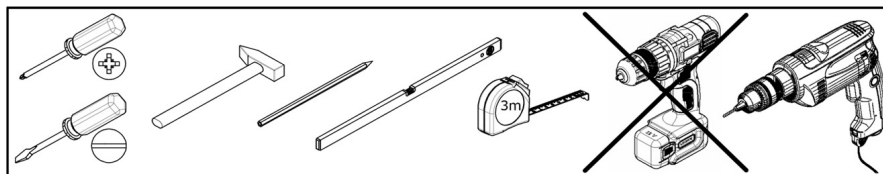


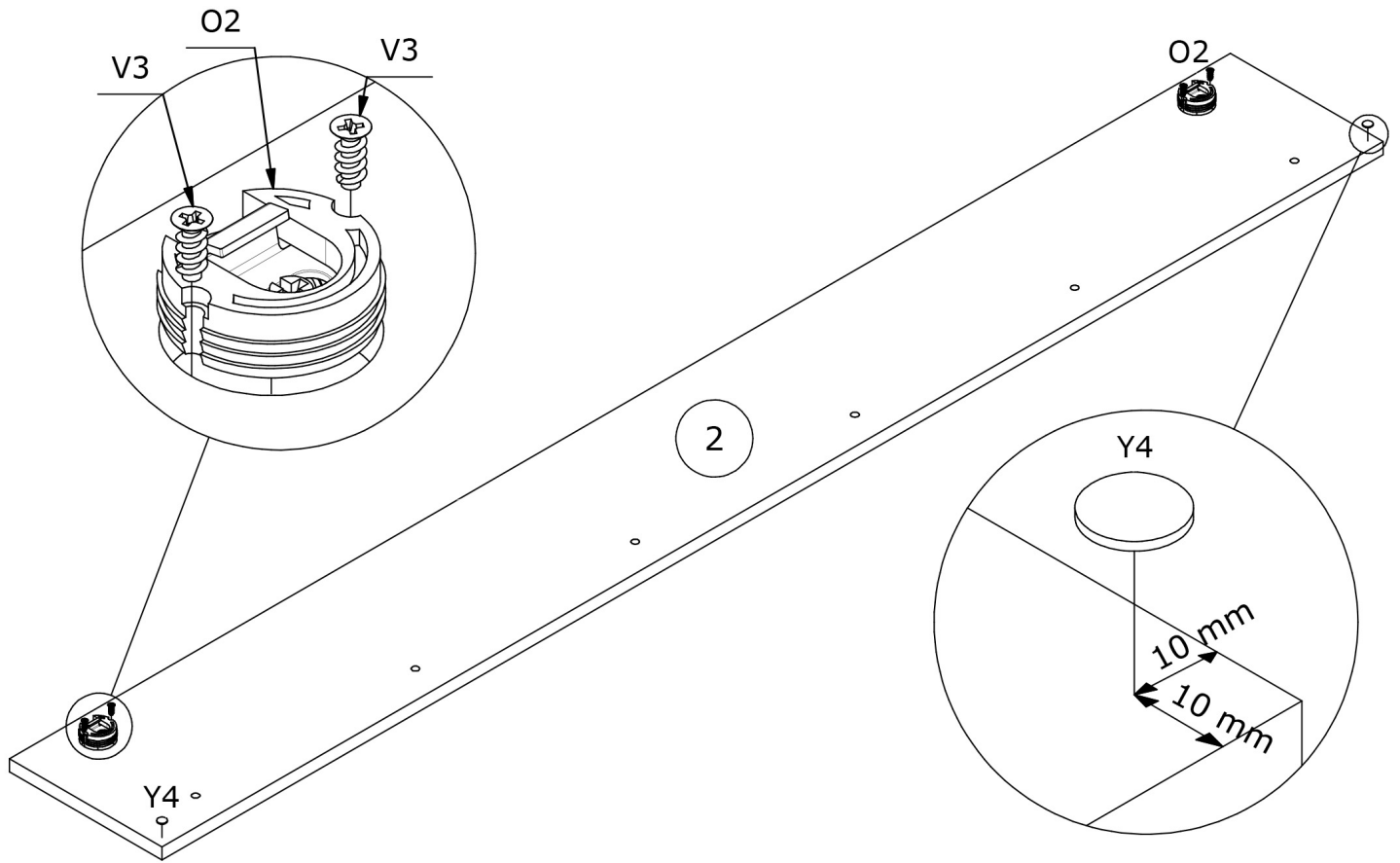
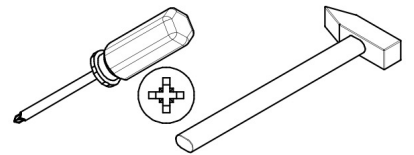
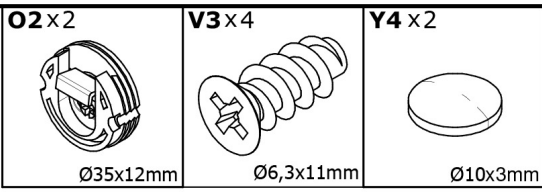
# P2 GN/GY/SA



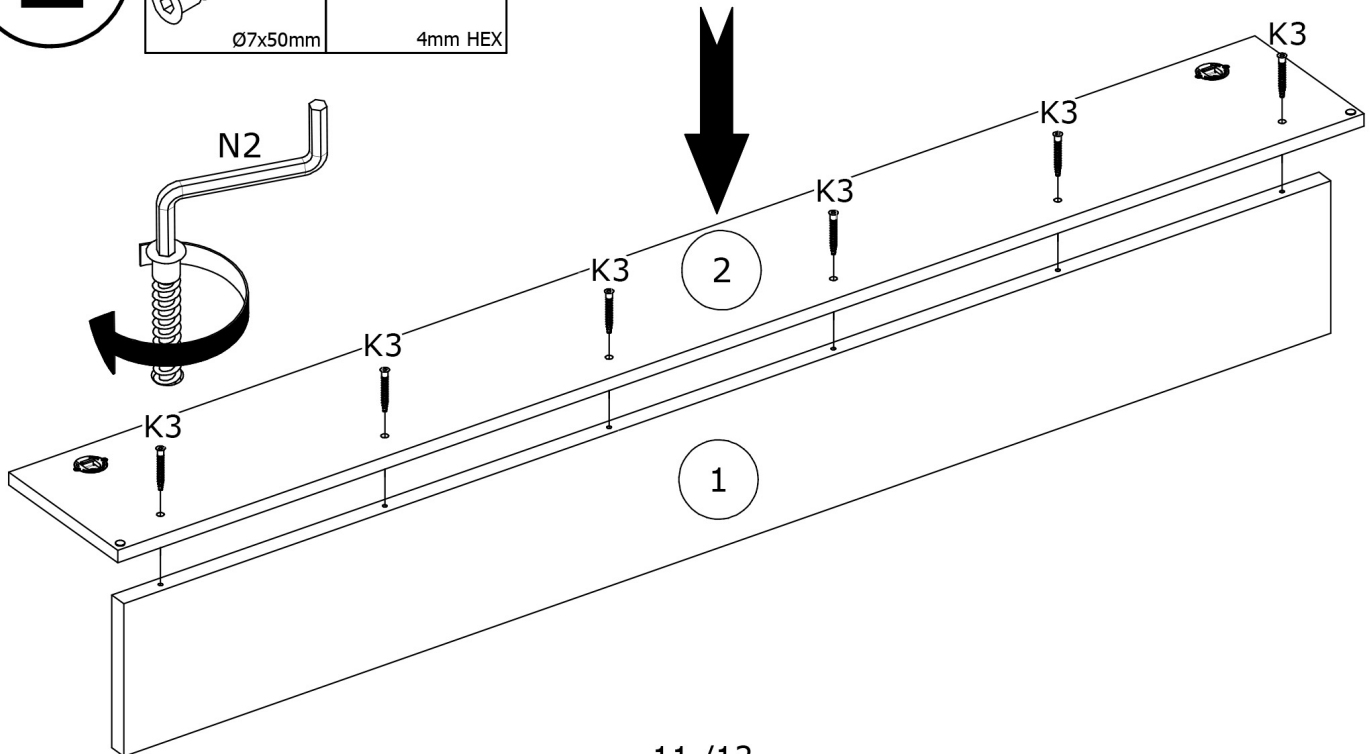
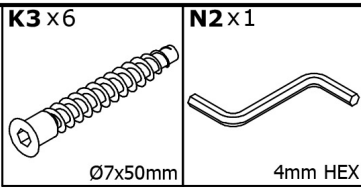
nr	L[mm]	W[mm]	H[mm]	PCS	BOX
1	1550	185	22	1	1/1
2	1600	200	15	1	1/1



**1**



**2**



3

**O3x2**  
Ø10x50 mm

