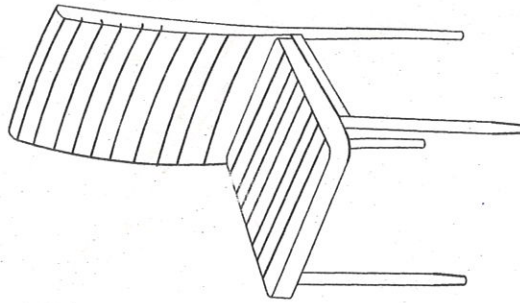


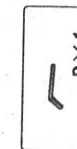
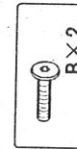
# ASSEMBLY INSTRUCTIONS

## DINING CHAIR

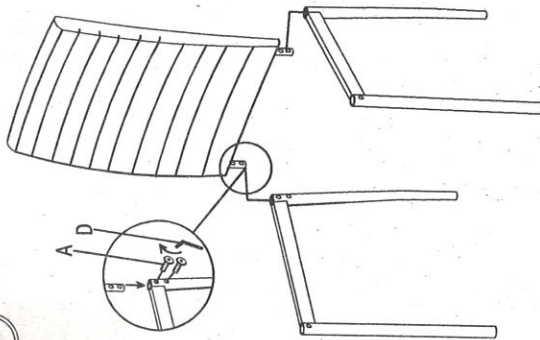
MODEL NO. BC-1528



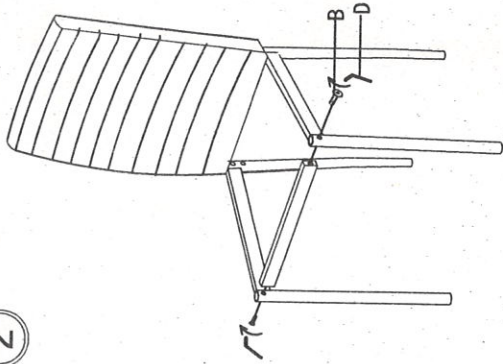
COMPONENTS:



1



2



3

