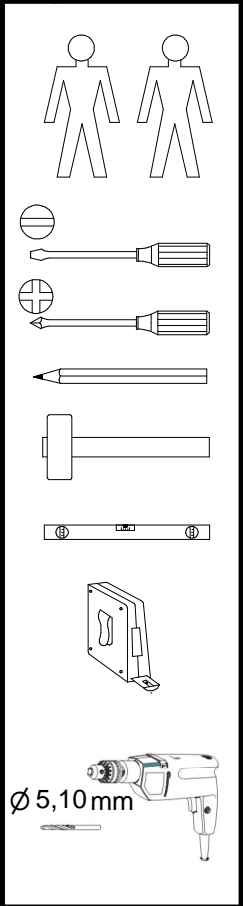
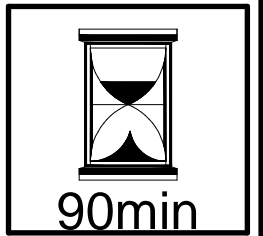


A	B	C (mm)		D
1	S228-011	596	487	2/2
2	S228-116	758	431	1/2
3	S228-117	758	431	1/2
4	S228-120	666,5	411	1/2
5	S228-207	1106	431	1/2
6	S228-323	1074	411	1/2
7	S228-324	528	400	1/2
8	S228-531	147	100	1/2
9	S228-5511	990	80	1/2
10	S228-5537	756	80	1/2
11	S228-5538	756	80	1/2
12	S228-5539	431	80	1/2
13	S228-5540	766	58	1/2
14	S228-5541	756	58	1/2
15	S228-5542	315	80	1/2
16	S228-5543	1151	80	1/2
17	S228-5544	1072	40	1/2
18	S228-9904	686	541	1/2
19	S228-9905	686	541	1/2

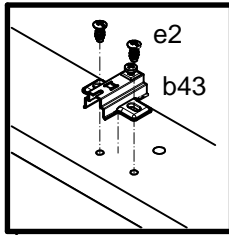
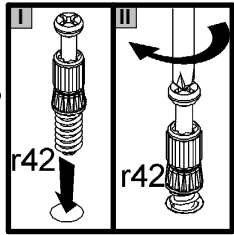


Ø 5,10 mm

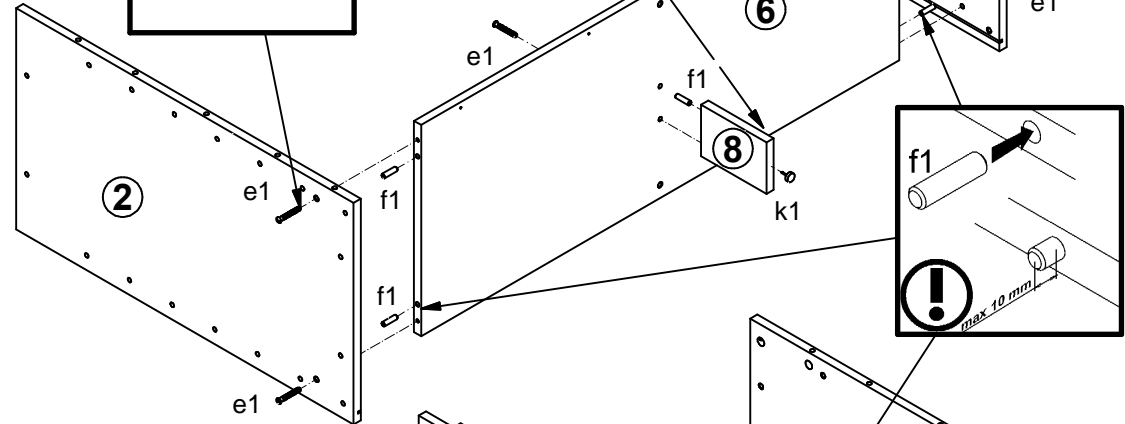
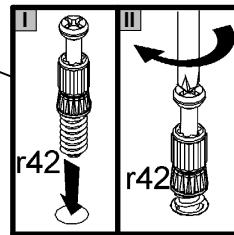
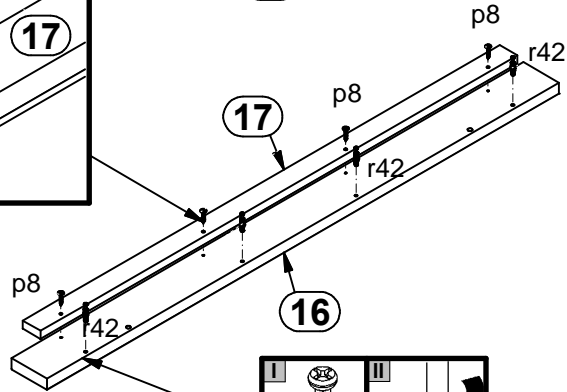
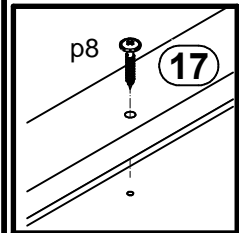
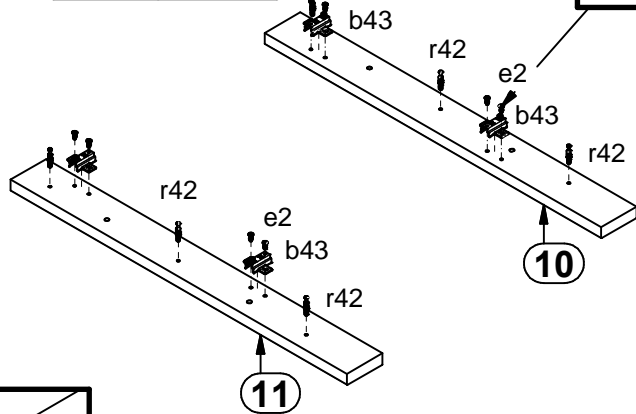
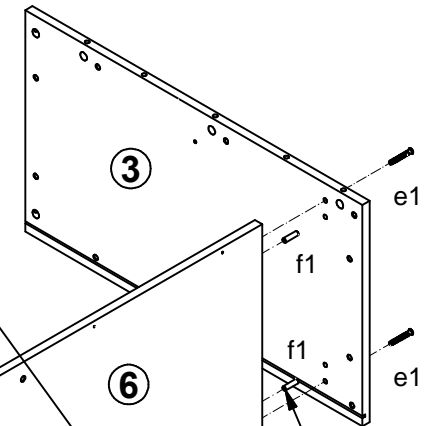
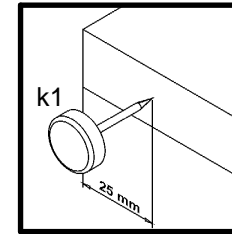
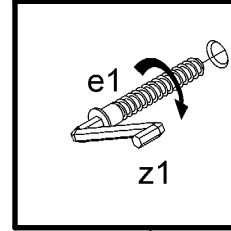


2x a133	4x a132	4x b43	2x c280 192 mm	8x d1 Ø5x17 mm	4x d36	7x e1 Ø7x50 mm	8x e2 Ø6.3x13 mm	20x e22 Ø7x28 mm	19x f1 Ø8x30 mm	16x f13 Ø8x20 mm	4x j30 M4x22 mm	7x k1	2x k101
12x l1	14x l2	16x p51 Ø3,5x15 mm	4x p79 Ø3,5x20 mm	4x p8 Ø4x25 mm	16x r1 Ø15x12 mm #16	16x r42 20/11	1x n14/2 86x21x151,5	2x p38 Ø3,5x16 mm	1x p17 Ø5x60 mm	1x f35 Ø10x50 mm	1x z1	10x s2 Ø16	
12x s1	5x n108 20x13x3,5/1	5x p55 Ø2,9x16 mm											

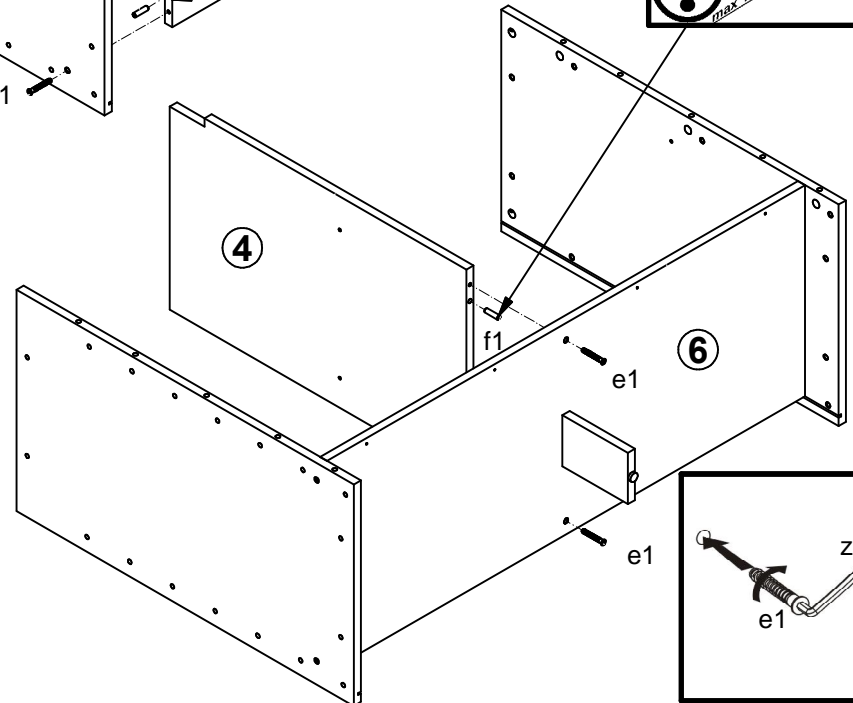
1  §2


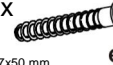

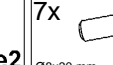
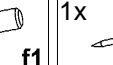
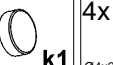



2  §6

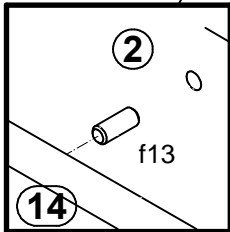
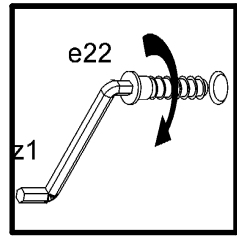
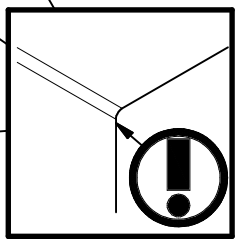
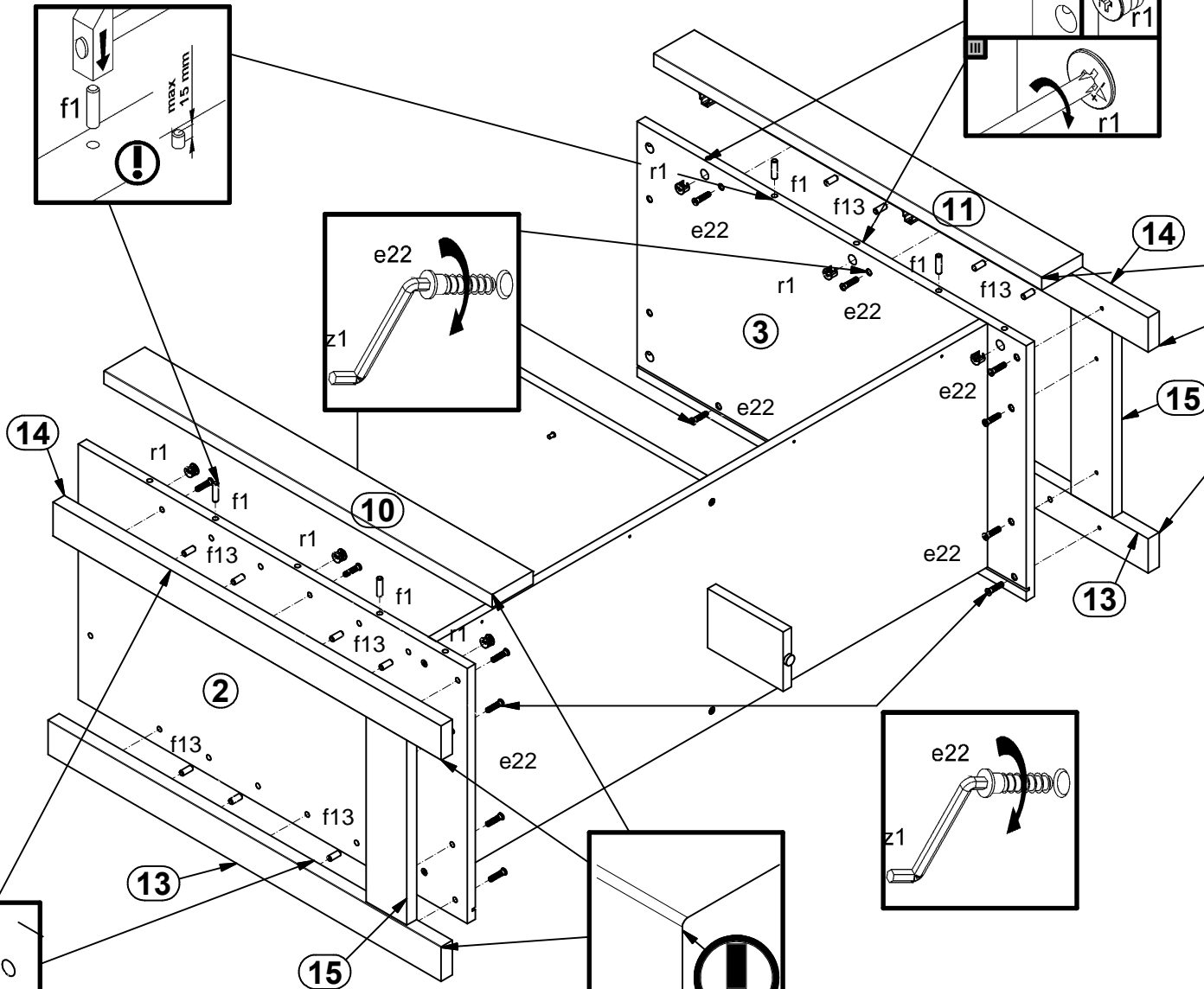
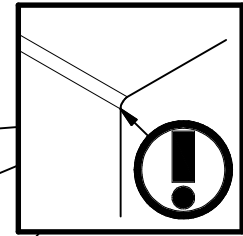
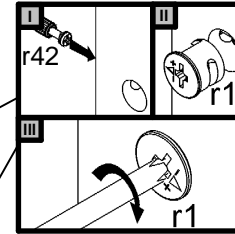
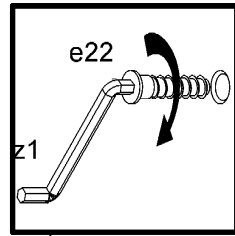
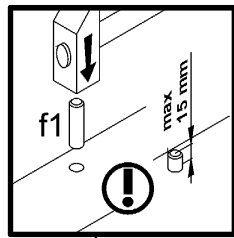


3



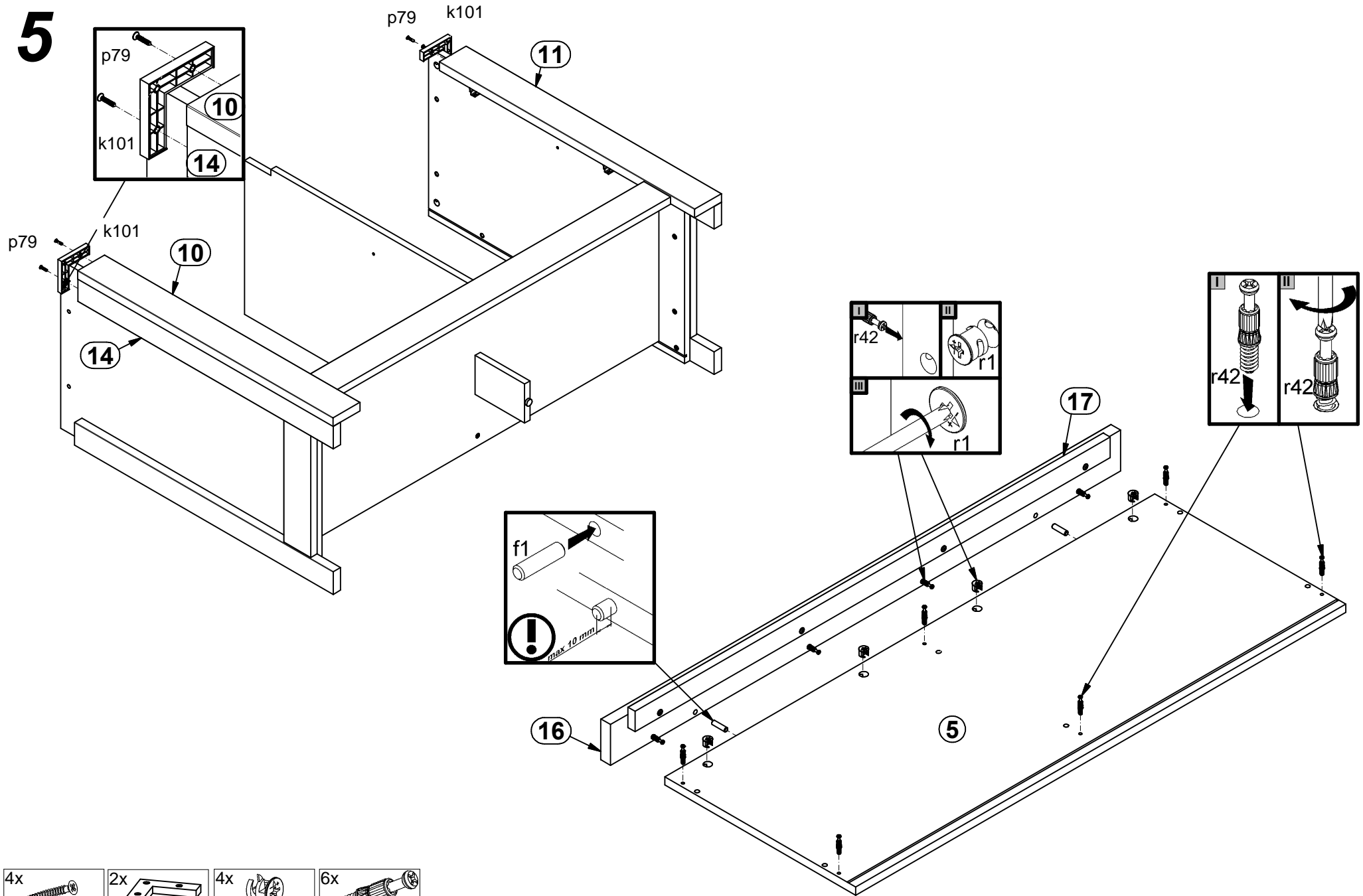
- 4x  b43
- 7x  e1 Ø7x50 mm
- 8x  e2 Ø6,3x13 mm
- 7x  f1 Ø8x30 mm
- 1x  k1
- 4x  p8 Ø4x25 mm
- 10x  r42 20/11

4



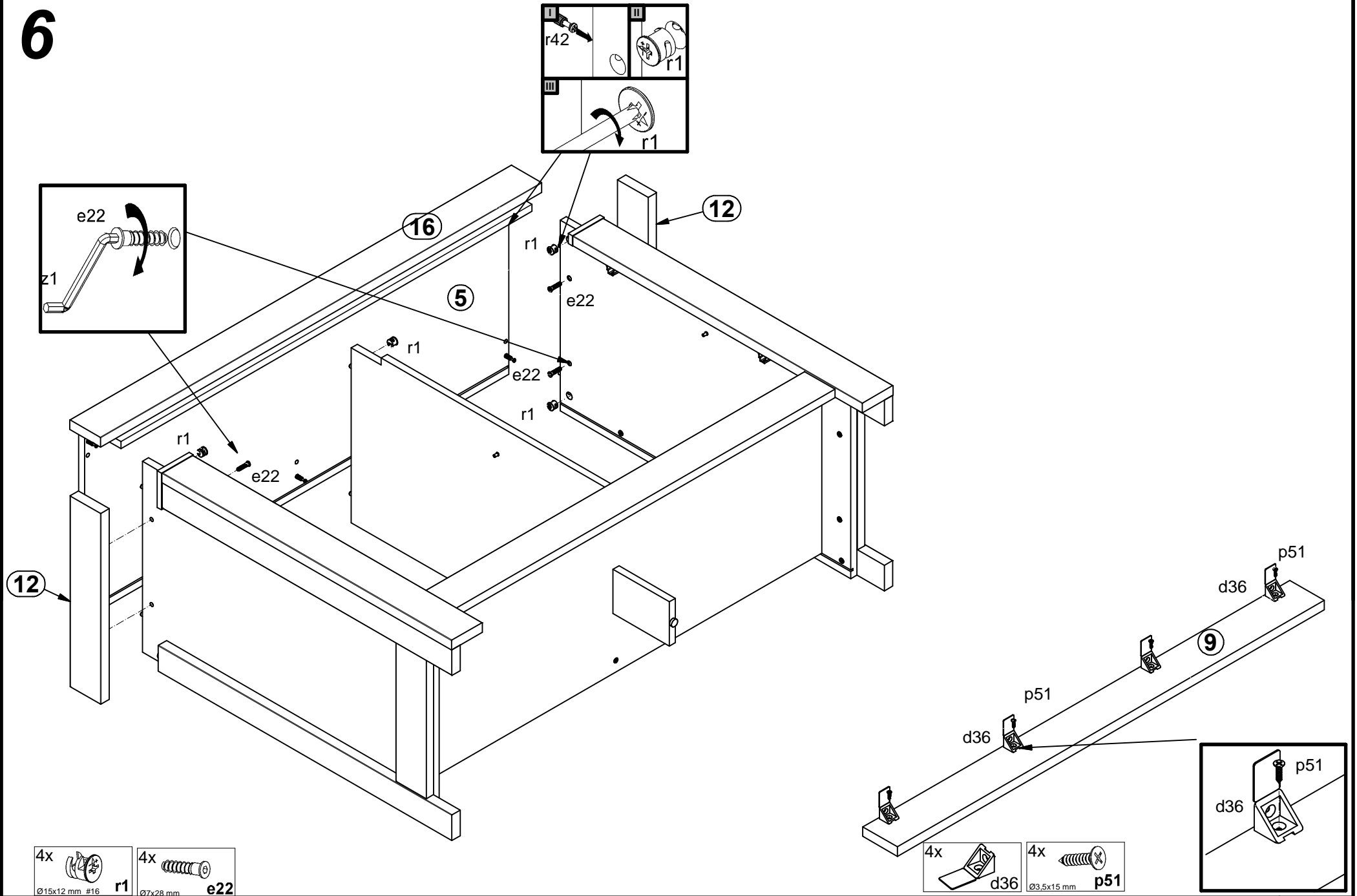
6x Ø15x12 mm #16 r1	16x Ø7x28 mm e22	4x Ø8x30 mm f1	16x Ø8x20 mm f13
---------------------------	------------------------	----------------------	------------------------

5

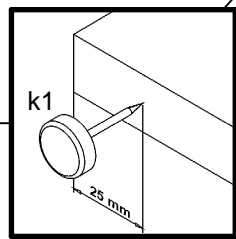
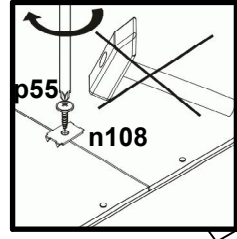
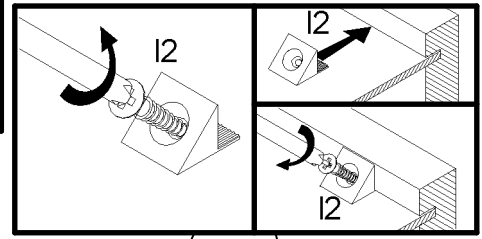
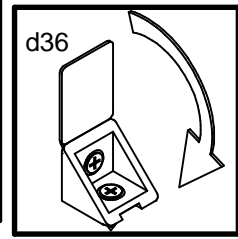
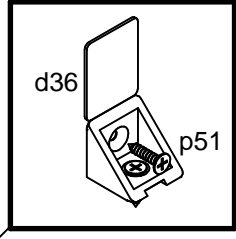
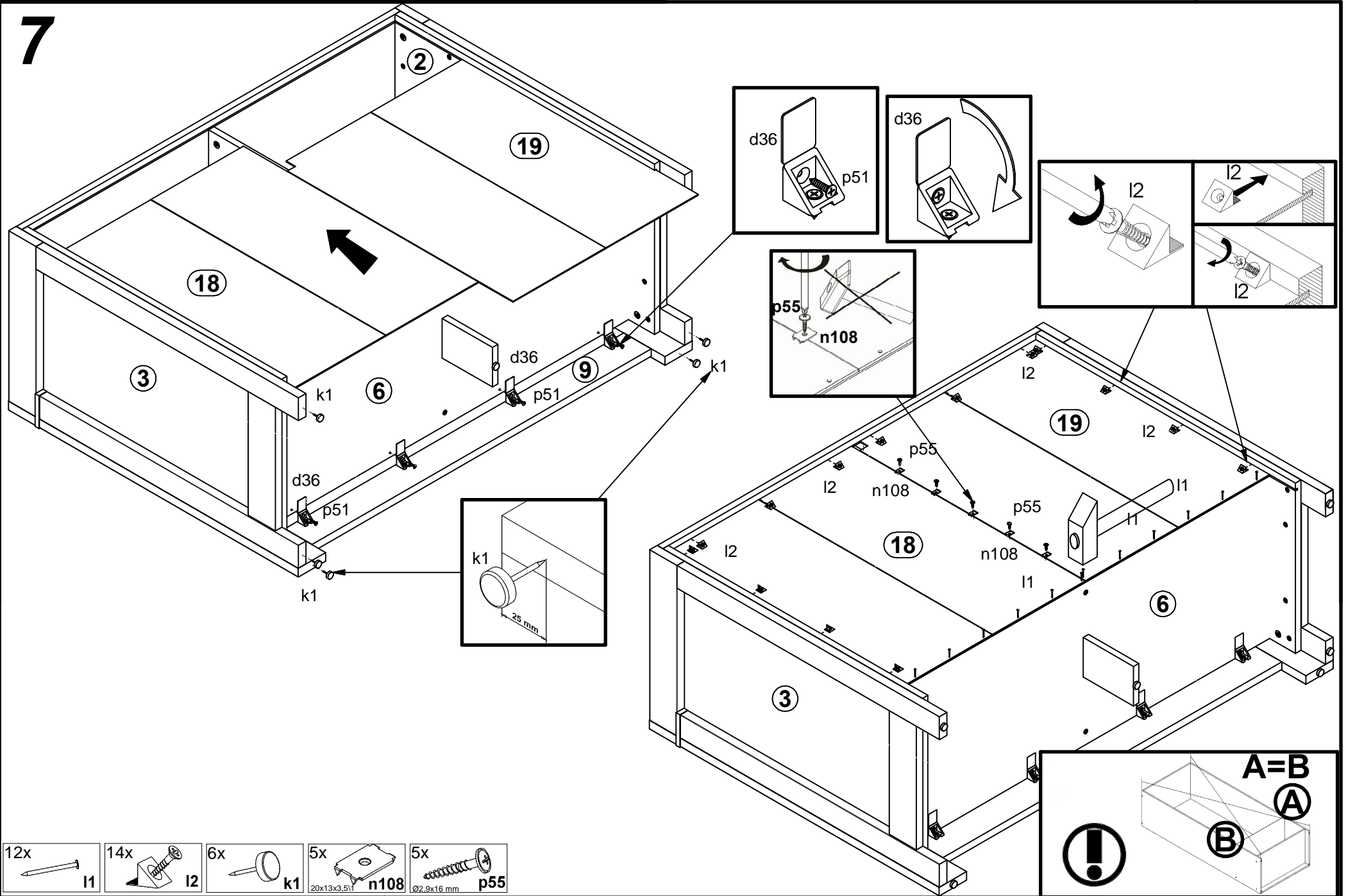




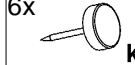


- 4x p79
- 2x k101
- 4x r1
- 6x r42

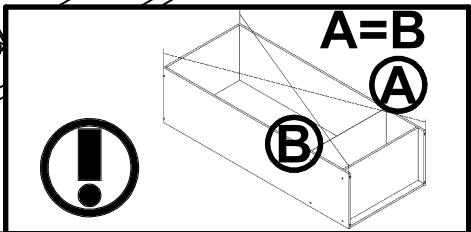
6



7



- 12x  l1
- 14x  l2
- 6x  k1
- 5x  n108
- 5x  p55



8

