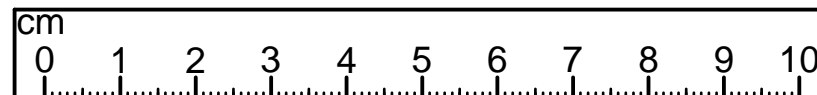
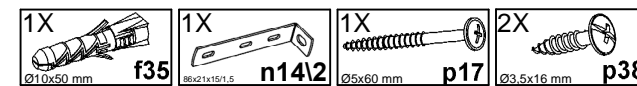
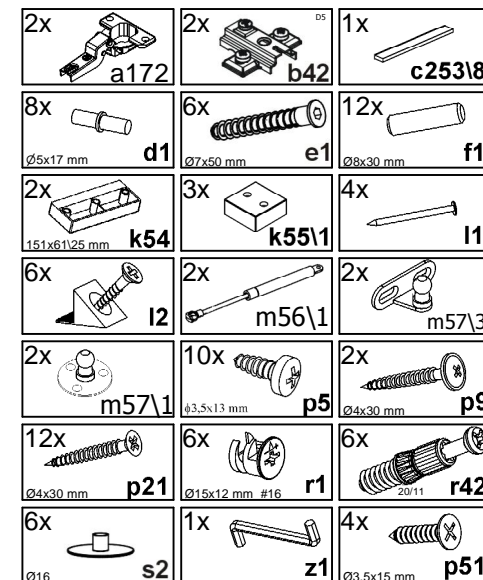






A	B	C1	C2	C3	D
1	M232-5301	790	360	55	1/1
2	M247-0004	424	796	16	1/1
3	M247-1005	398	370	15	1/1
4	M247-1006	398	370	15	1/1
5	M247-1007	398	350	15	1/1
6	M247-2003	800	370	15	1/1
7	M247-2004	800	370	15	1/1
8	M247-3003	376	320	15	1/1
9	M247-9001	408	778	2,5	1/1



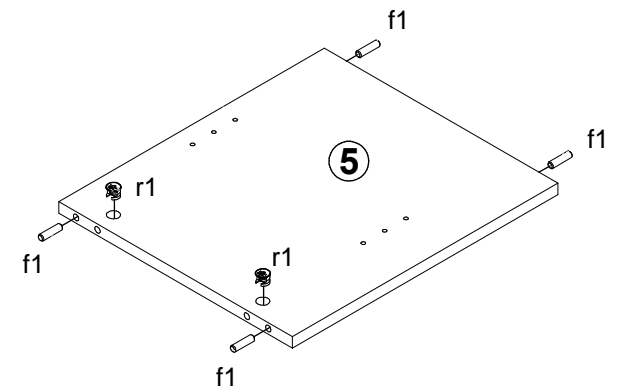
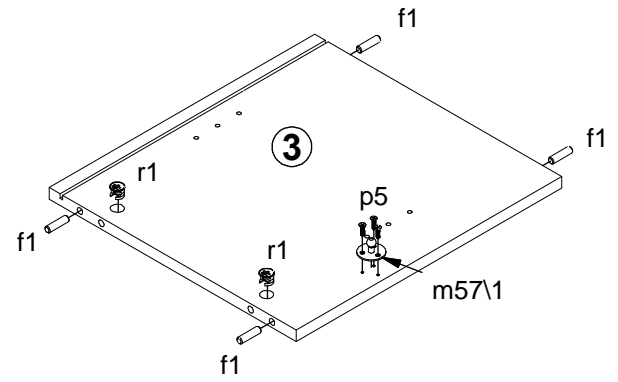
A


M247-SFK1K/5/8

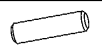
- 4x  f1 Ø8x30 mm
- 2x  r1 Ø15x12 mm #16
- 3x  p5 Ø3,5x13 mm
- 1x  m57/1

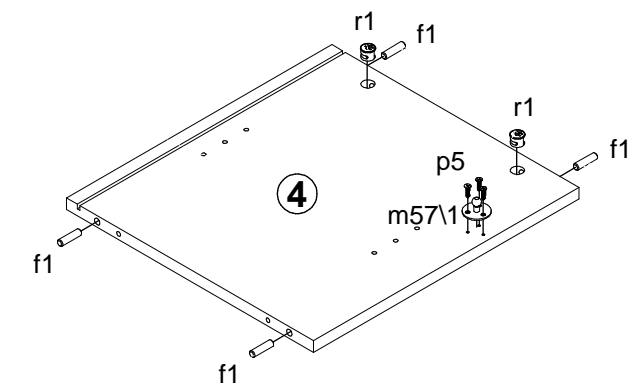


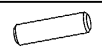



1

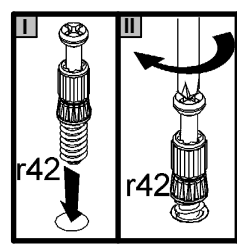
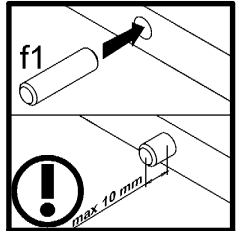
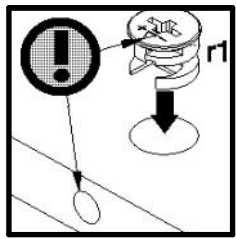
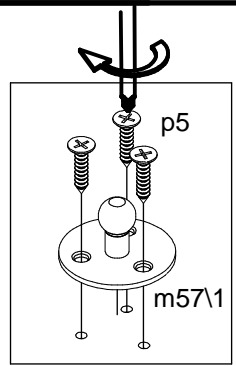


- 2x  r1 Ø15x12 mm #16

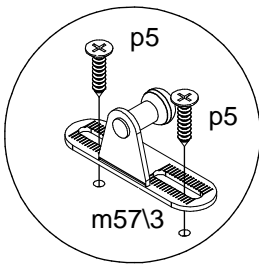
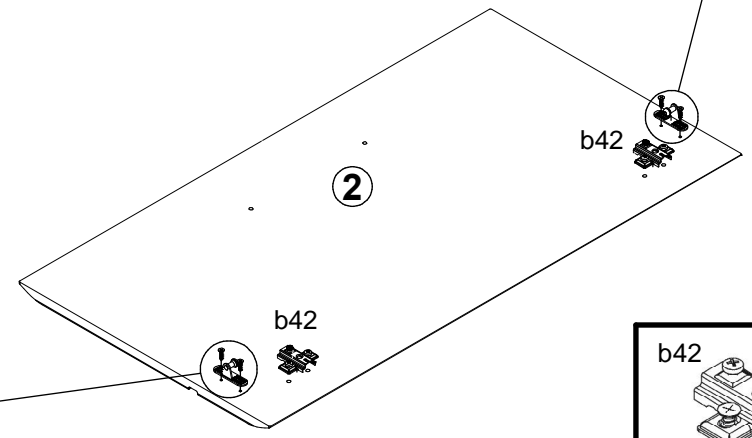
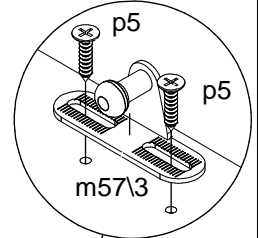
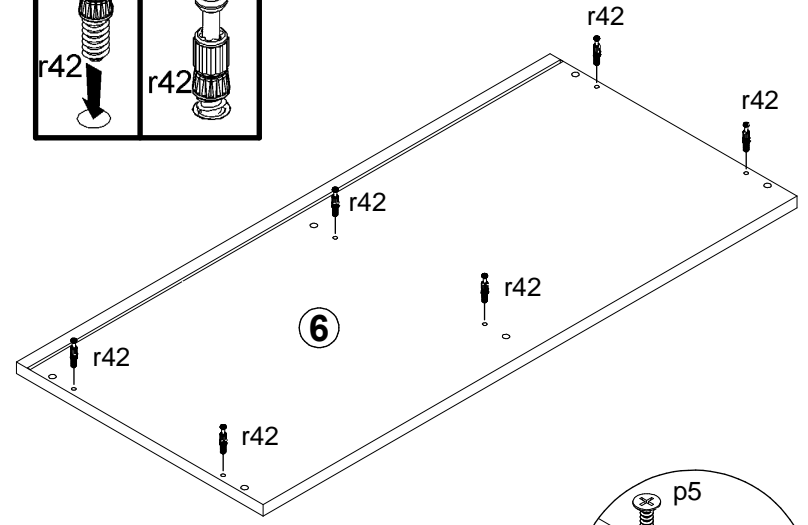
- 4x  f1 Ø8x30 mm





- 4x  f1 Ø8x30 mm
- 2x  r1 Ø15x12 mm #16
- 3x  p5 Ø3,5x13 mm
- 1x  m57/1



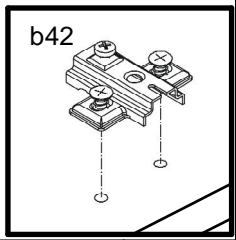
- 6x  r42 20/11



- 2x  b42

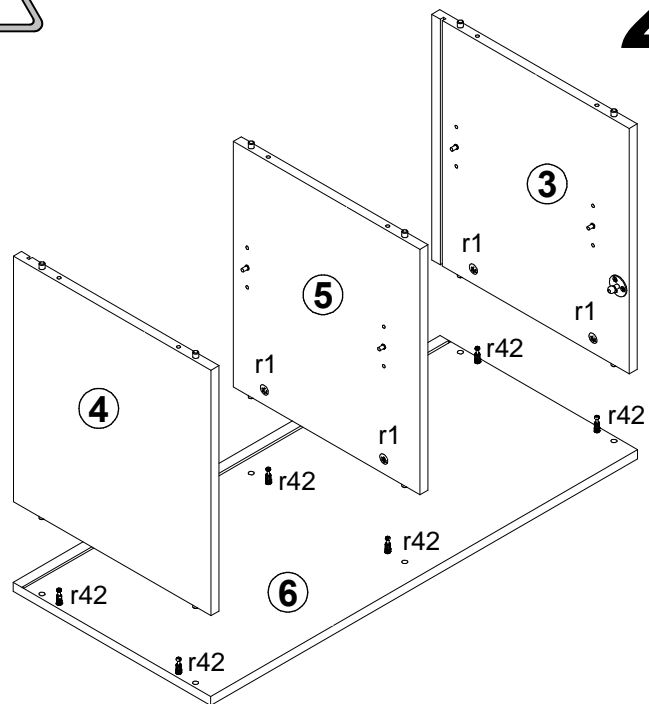
- 4x  p5 Ø3,5x13 mm

- 2x  m57/3

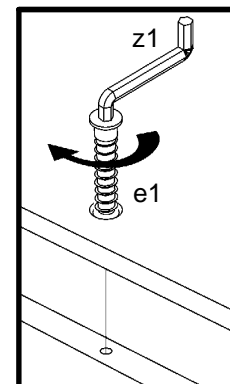
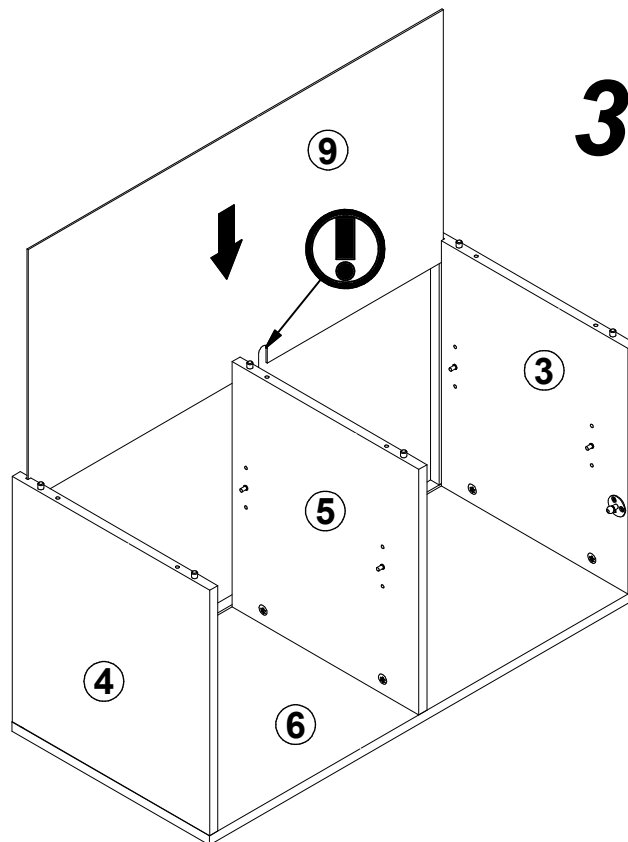




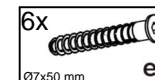
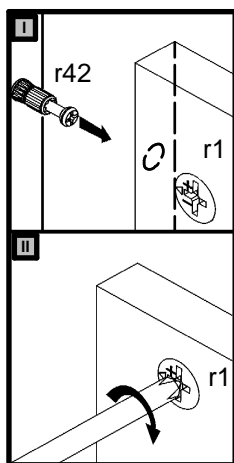
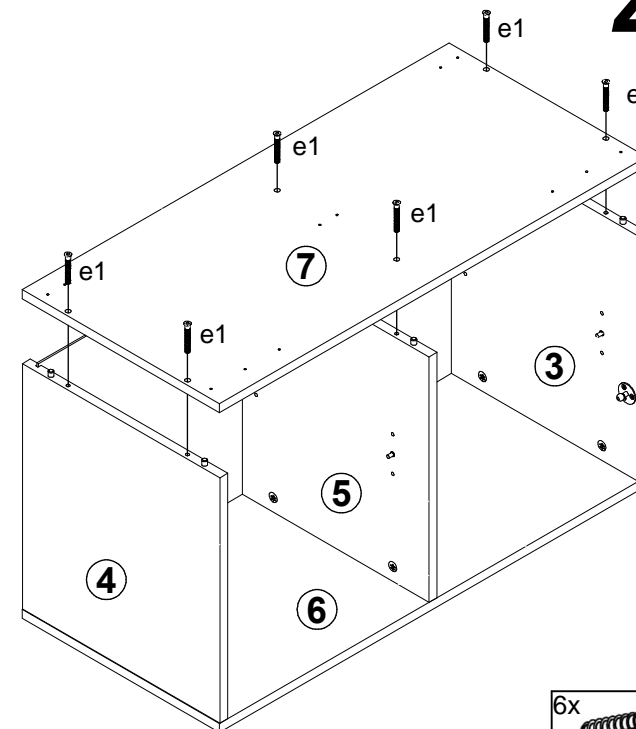
2

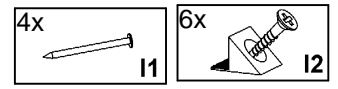
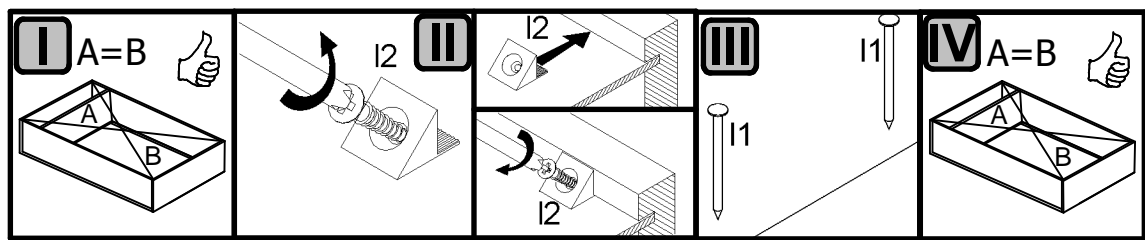
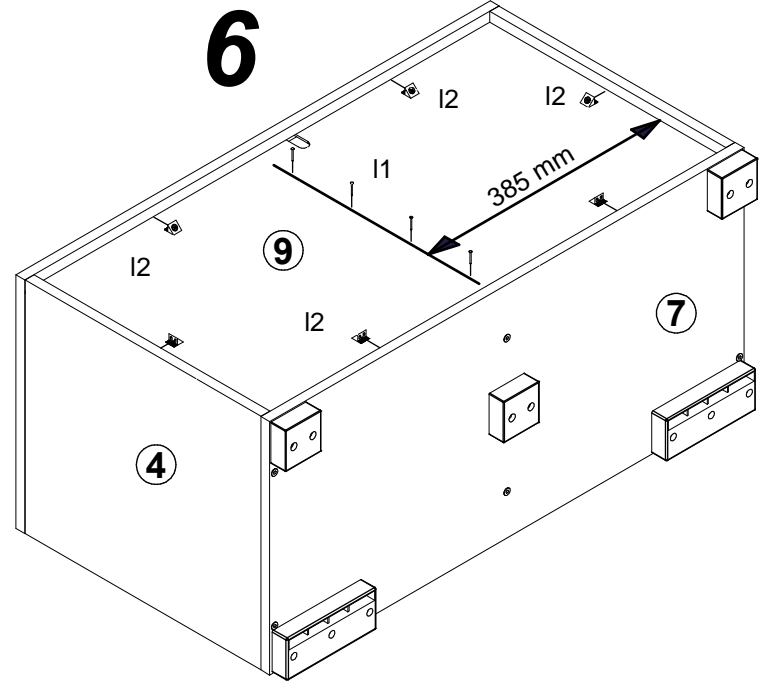
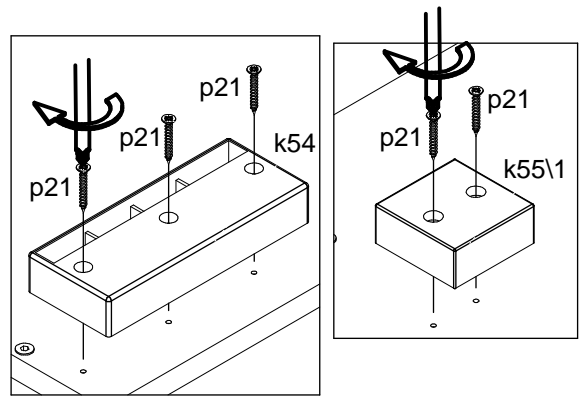
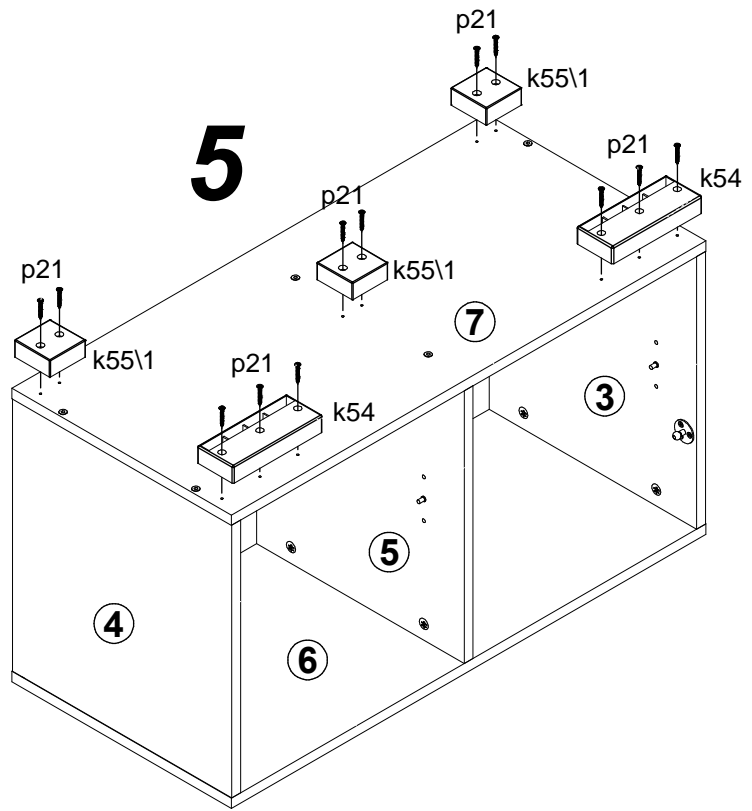
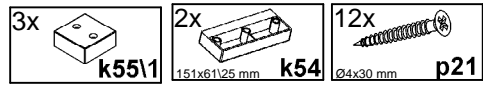


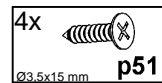
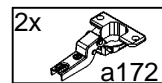
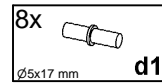
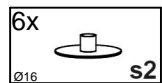
3



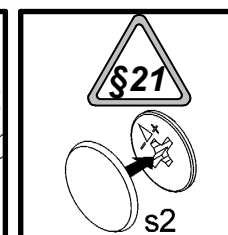
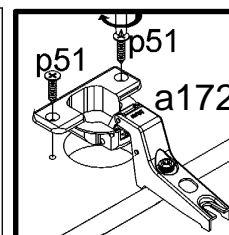
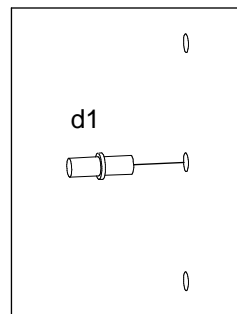
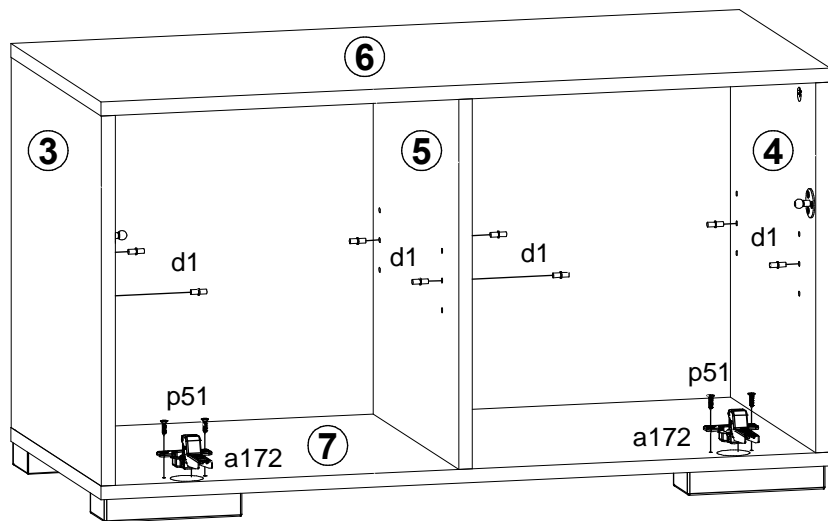
4



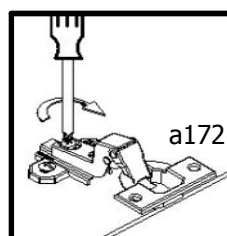
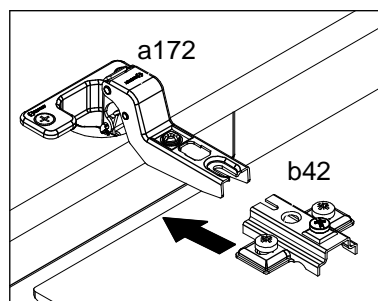
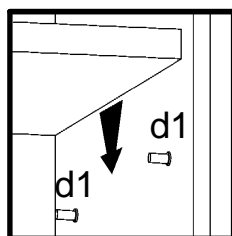
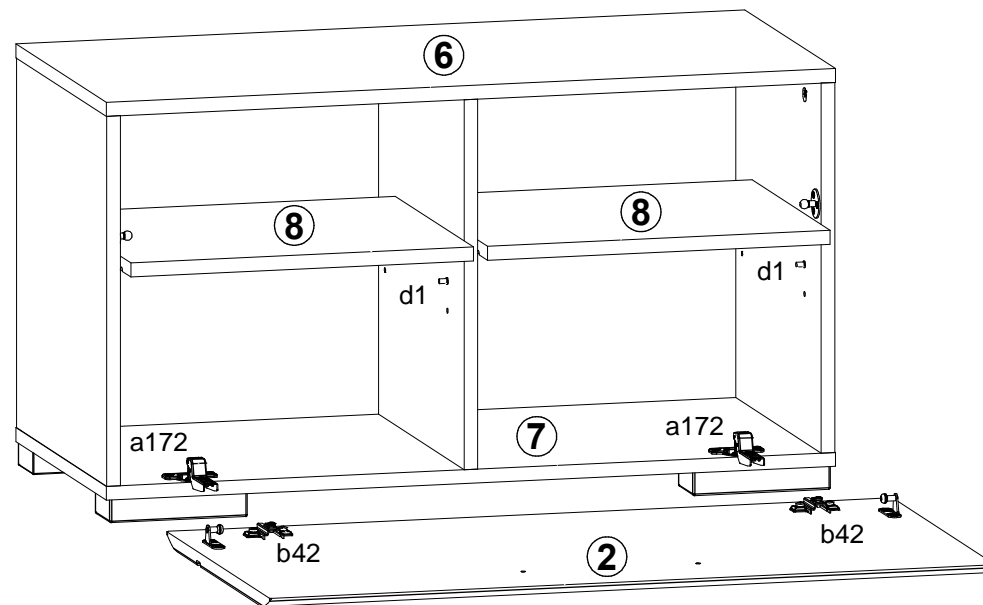


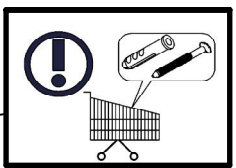
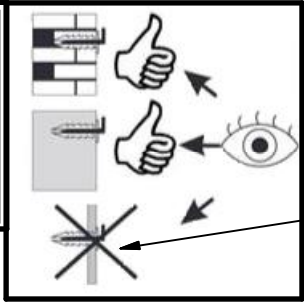
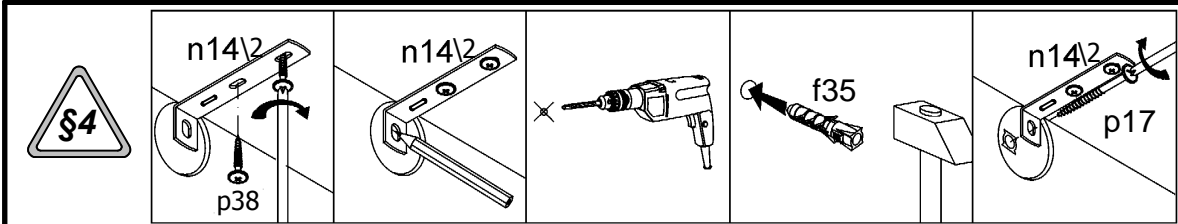


7

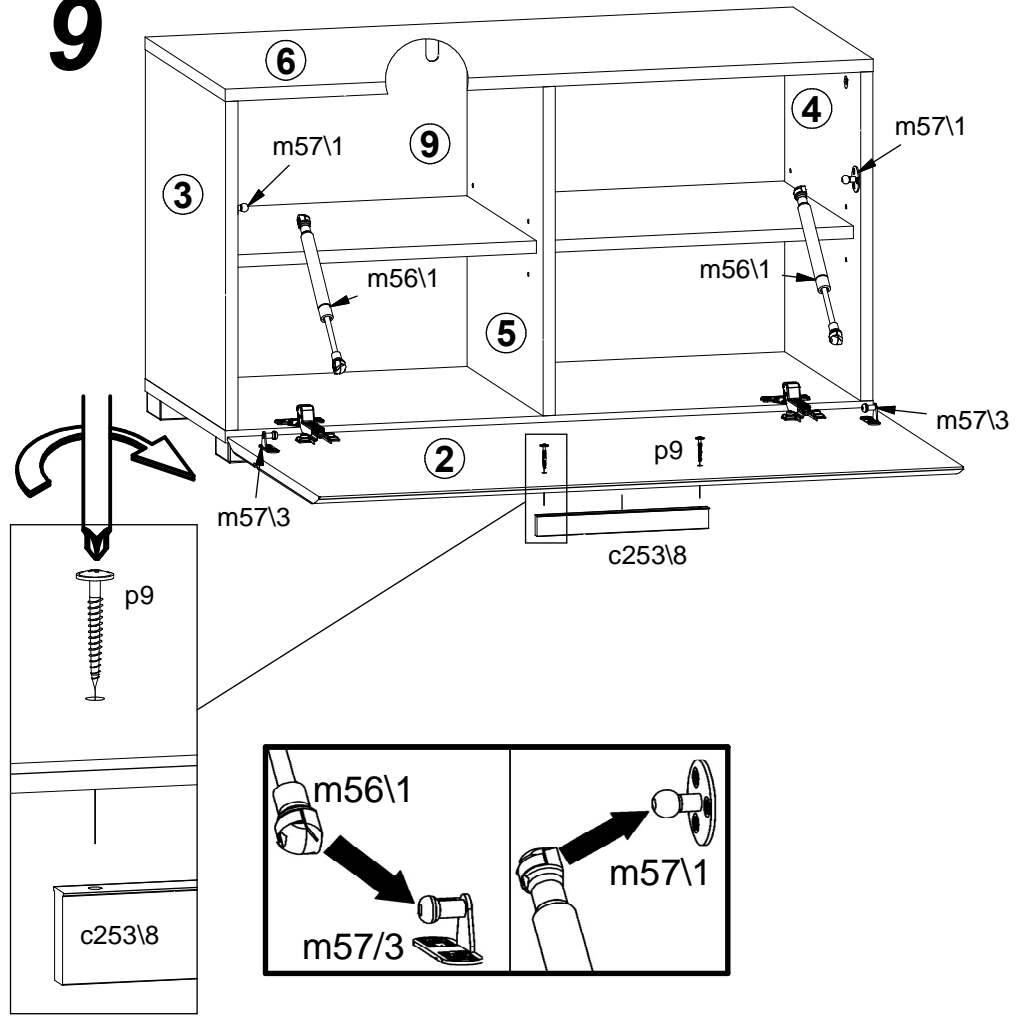


8





9



- 2x

m56\1
- 1x

c253\8
- 2x

p9
- 1x

f35
- 1x

n14\2
- 1x

p17
- 2x

p38

10

